

# INDIVIDUAL SPECIFICATIONS

## UP-RW1220P(a)



(a) Add applicable code for terminal type, special configurations, etc.

### Specifications

Nominal voltage		12V
Nominal capacity		20 W/cell @ 10MR (4.2Ah @ 20HR)*
Dimensions inch (mm)	Total height	3.937 inch (100 mm)
	Height	3.701 inch (94 mm)
	Length	5.512 inch (140 mm)
	Width	1.516 inch (38.5 mm)
Approx. Mass		2.98 lbs. (1.35 kg)
Country of Origin		Mexico
Terminal Types		P: Faston 187
		P1: Faston 250

### Characteristics

Capacity at 77°F (25°C) (1.6V/cell cutoff)	30 minute rate	60 W	
	15 minute rate	95 W	
	10 minute rate	120 W	
	5 minute rate	190 W	
Internal resistance 77°F (25°C)	Fully charged battery	Approx. 55mΩ	
Temperature dependency of capacity (10 hour rate)	104°F (40°C)	102 %	
	77°F (25°C)	100 %	
	32°F (0°C)	85 %	
Self discharge at 77°F (25°C)	Residual capacity after standing 3 months	91%	
	Residual capacity after standing 6 months	82%	
	Residual capacity after standing 12 months	65%	
Charge Method (Current limited Constant Voltage)	Trickle use	Control voltage	13.6 to 13.8 V (per 12V cell at 77°F (25°C))

### Watt Table

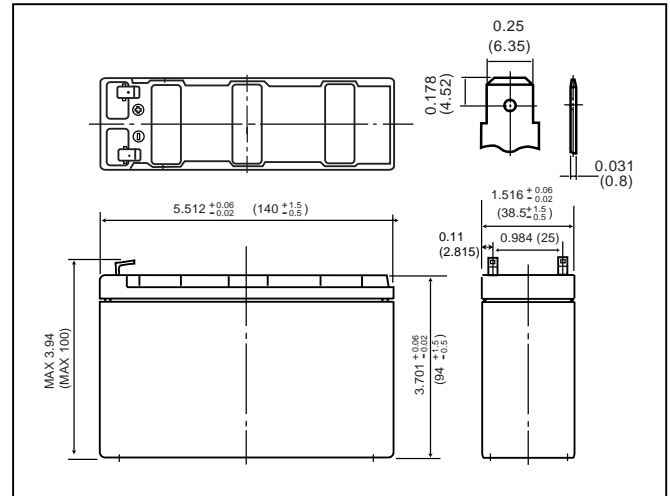
Cutoff V/cell	Discharge Runtime at 77°F (25°C)						
	3 min.	5 min.	7 min.	10 min.	15 min.	20 min.	30 min.
1.60	237	180	150	120	91	75	57
1.70	217	167	135	113	87	73	52
1.80	177	137	115	102	82	66	47

(Note) The above characteristics data are average values obtained within three charge/discharge cycles not the minimum values.

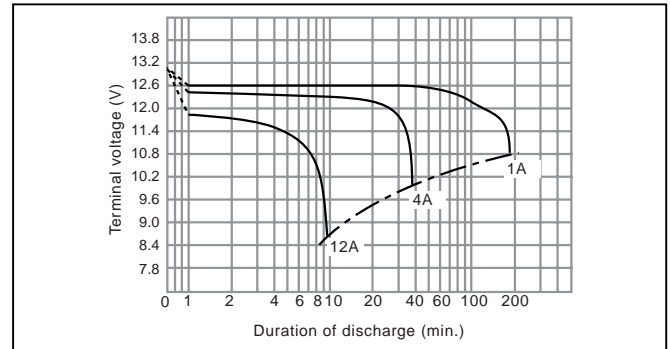
\*This battery is designed for high rate discharge and the 20 hour rate discharge capacity is for reference only. For cycle use of the battery, please contact Panasonic in advance.

\* This product adopts UL94HB-compliant resin as the material of the battery case. Product color is black. Optionally, type UP-VW1220 which adopts flame-retardant resin complying with UL94V-0 is also available. Product color is gray.

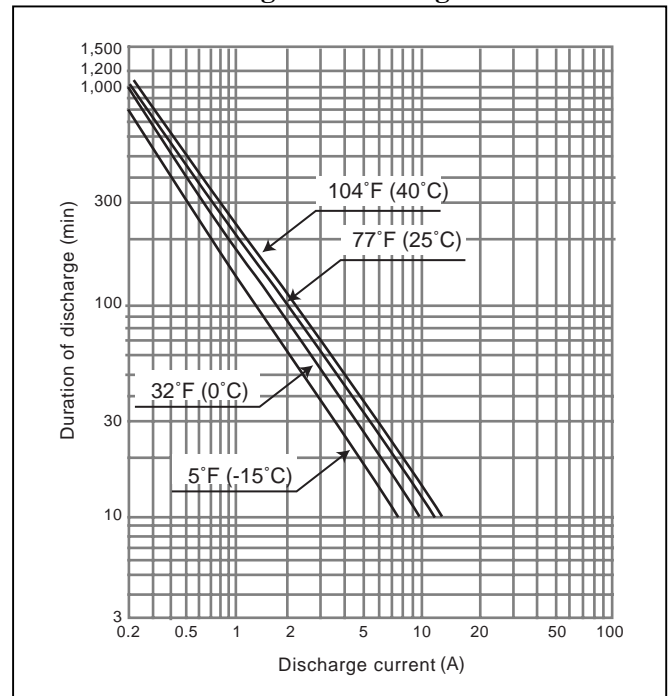
### Dimensions inch (mm)



### Discharge characteristics (77°F (25°C)) (note)



### Duration of discharge vs. Discharge current



## Panasonic Batteries

Panasonic Industrial Company  
A Division of Matsushita Electric Corporation of America

Toll Free: 877-726-2228  
E-mail: oembatteries@panasonic.com  
Web: www.panasonic.com/batteries