

1

2

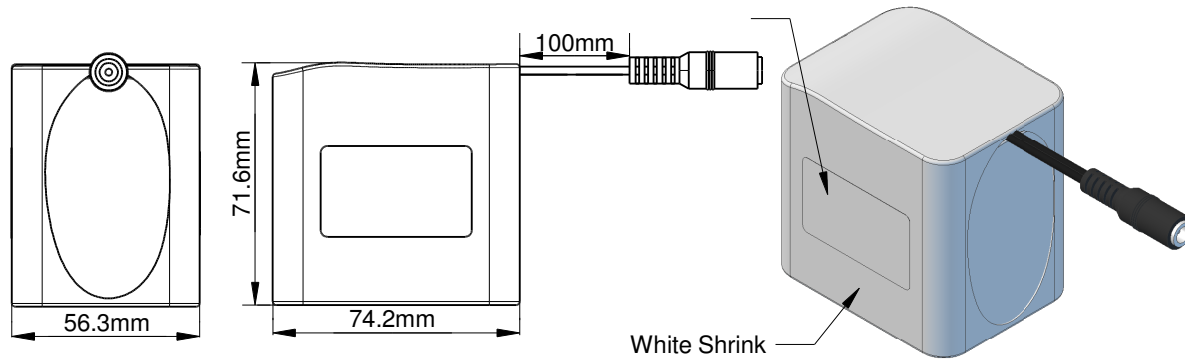
3

4

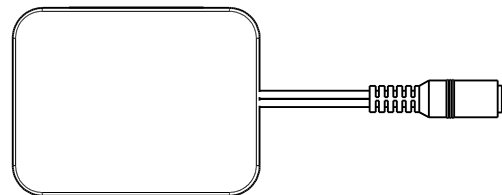
5

6

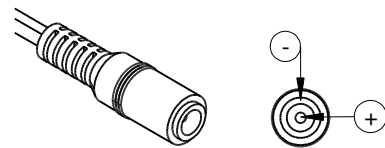
A



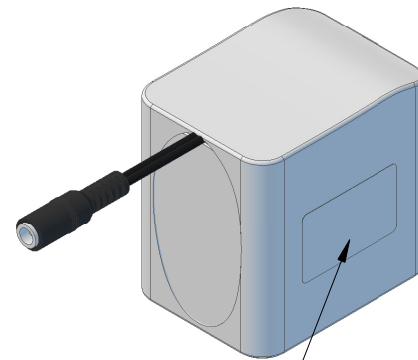
B



C



Lithium Warning Label



D

Mi
Master Instruments

This drawing and the designs so represented are the copyright property of Master Instruments Pty Ltd. The drawing shall not be copied, loaned or issued without the express written permission of a duly authorised representative of Master Instruments Pty Ltd.

PART NO	RL818	STOCK CODE	88003-115	RevNo	0
CELL TYPE	NCR18650B	RECOMMENDED CHARGER	3P10-L1012-2.1mm or FY126XXX	DATE	15/01/16
				PAGE	1 OF 1

Technical Data

Safety Board (PCM)

PCM	MIPCM-3SXP7A
Over Charge Detection Voltage	4.35V ± 0.025V
Over Charge Release Voltage	4.15V ± 0.05V
Over Discharge Detection Voltage	2.4V ± 0.08V
Over Discharge Release Voltage	3.0V ± 0.10V
Over Current Detection Current	10A ± 2A
Max Discharge Current	7A
Short Circuit Protection	External Short Circuit
Protection Circuit Resistance	≤50mΩ
PTC Resettable Fuse	N/A
Thermistor	N/A
Chemistry	Lilon
Configuration	3S4P
Voltage	10.8V
Capacity	13.4Ah
Energy	144.72Wh
Weight	581g
Rated Discharge	2.6A (C/5)
Max Discharge Continuous	PCM: 7A
	Cell: 7A (PCM Limit)
Charge Rate	6.5A
Operating Temperature Range	Charge: 10 - 45°C
	Discharge: -20 - 60°C
Charge Voltage	12.6V
Discharge End Voltage	9V
Connector	CE180 2.1mm(ID) x 5.5mm(OD) DC Plug
Suits Mating Connector	P4215 DC Plug Male 2.1mm(ID) x 5.5mm(OD)

1

2

3

6