
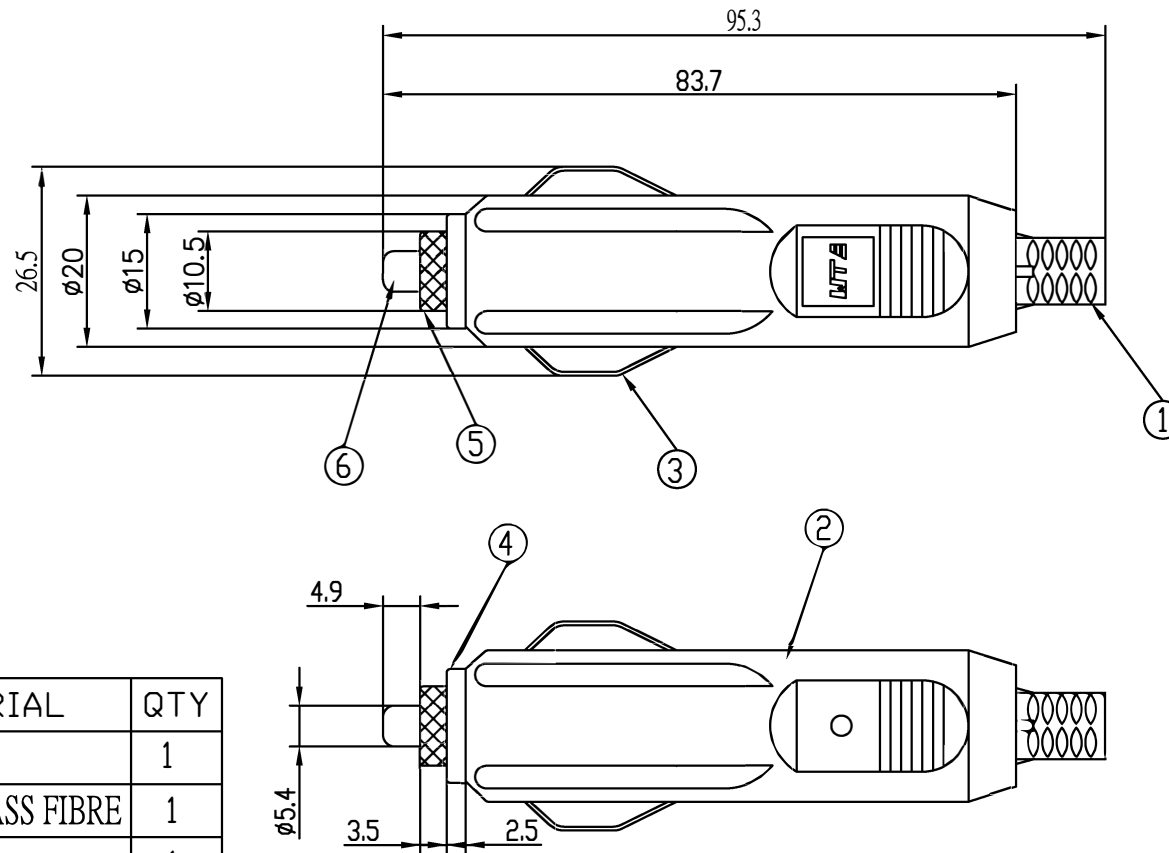


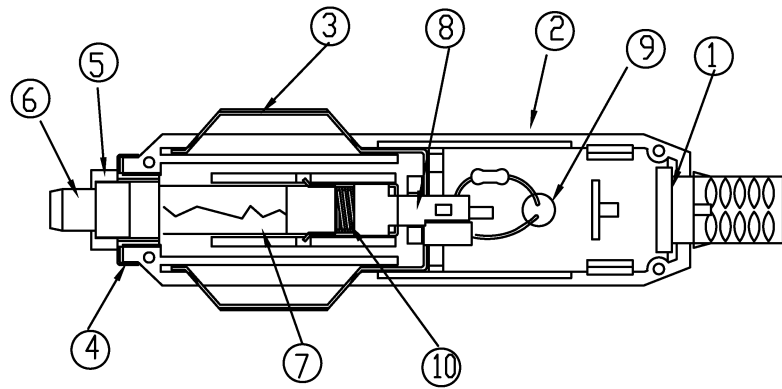
GENERAL TOLERANCE	 <b>Master Instruments Pty Ltd</b>			REF. NO.
0.5MM-5MM=±0.2MM 5MM-30MM=±0.4MM 30MM-120MM=±0.6MM 120MM-315MM=±1.0MM 315MM-1000MM=±1.6MM 1000MM-2000MM=±2.4MM	繪圖 Draw By YC WANG	比例尺 Scale	<b>PA-10</b> 05-1118-2G/15A fuse to 2.1x5.5 dc plug with UL2464/16AWG/180CM	
	繪圖日期 Date 111.7.21	單位 UNIT mm		Version 版本



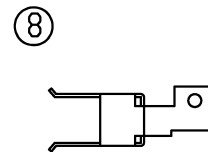
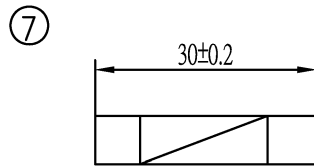
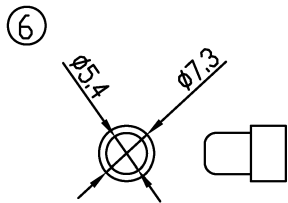
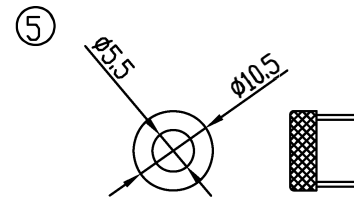
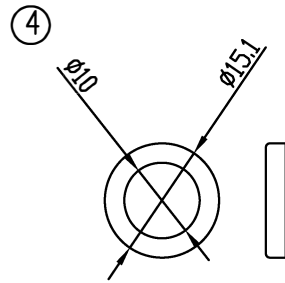
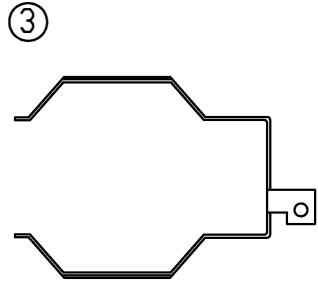
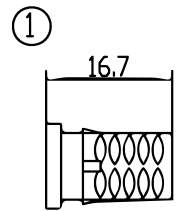
NO	DESCRIPTION	MATERIAL	QTY
1	STRAIN RELIEF	PVC	1
2	BODY	NYLON+GLASS FIBRE	1
3	(-) TERMINAL	K5, NICKEL	1
4	PLASTIC RING	BRONZE, NICKEL	1
5	FUSE RING	BRONZE, NICKEL	1
6	FUSE HOLDER	BRONZE, NICKEL	1
7	(+) TERMINAL	磷銅, NICKEL	1
8	SPRING	磷銅,	1

TOLERANCES
0.5MM-5MM=±0.2MM
5MM-30MM=±0.4MM
30MM-120MM=±0.6MM
120MM-315MM=±1.0MM
315MM-1000MM=±1.6MM
1000MM-2000MM=±2.4MM

修正日期	修正說明	核準日期 Date	設計 Designed By	比例尺 Scale	MASTER INSTRUMENTS	PA-10 CIGAR PLUG W/ LED, FOR 30mm FUSE	REF. NO.
		26 JUN 2003		1:1			
		核準 Approved By	繪圖 Drew By	單位 UNIT			
				m/m			



NO	DESCRIPTION	MATERIAL	QTY	SGS REPORT NO.
1	STRAIN RELIEF	PVC	1	
2	BODY	PC	1	CE/2005/C1890
3	(-) TERMINAL	BRONZE, NICKEL	1	CE/2005/C1902
4	BRASS RING	BRONZE, NICKEL	1	CE/2004/C2268
5	FUSE RING	BRONZE, NICKEL	1	CE/2005/14968
6	FUSE HOLDER	BRONZE, NICKEL	1	CE/2005/14968
7	FUSE		1	
8	(+) TERMINAL	銻銅, NICKEL	1	CE/2005/C1902
9	LED+電阻	GREEN LED	1	CE/2005/20133



TOLERANCES
0.5MM-5MM=±0.2MM
5MM-30MM=±0.4MM
30MM-120MM=±0.6MM
120MM-315MM=±1.0MM
315MM-1000MM=±1.6MM
1000MM-2000MM=±2.4MM