



BAOZHU
ELECTRIC APPLIANCE
宝珠电器

17AM 热保护器技术规格书
TECHNICAL SPECIFICATION
FOR 17AM SERIES THERMAL PROTECTOR

编制 Editor: 卞开友 Kaiyou Bian

审核 Check: 庄红军 Hongjun Zhuang

批准 Approval: 汪兆龙 Zhaolong Wang

ISSUED ON 2018-09-12

VALID FROM 2018-09-12

17AM 系列产品技术规范

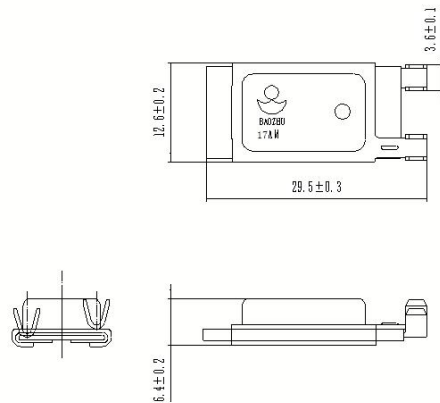
TECHNICAL SPECIFICATION FOR 17AM SERIES THERMAL PROTECTOR

1 产品用途 APPLICATION

17AM 型热保护器具有体积小、动作灵敏、寿命长等特点，广泛适用于分马力电机、水泵电机、电热器具、荧光灯镇流器、变压器、汽车马达、一般电气设备的过热过流双重保护作用。

The 17AM thermal protector has the characteristics of small size, sensitive action and long service life, and is widely used for the double protection of overheating and overcurrent of split horsepower motors, water pump motors, electric heating appliances, fluorescent lamp ballasts, transformers, automobile motors and general electrical equipment.

2 外形结构 Shape and structure



注 note: 材料耐温 Temperature resistance of materials 180°C

阻燃等级 Flame retardant grade: V-0

外形尺寸 Dimensions: $30.0 (L) \times 12.6 (W) \times 6.4 (H)$

3 性能 performance

3.1 电气规格 Electrical specifications

33A/DC12V、30A/DC24V、48VDC/10A、28A/AC115V、35A/AC250V、33A/AC277V

3.2 断开温度 Break off temperature: $55^{\circ}\text{C} \sim 180^{\circ}\text{C}$ 闭合温度 Closing temperature: $35^{\circ}\text{C} \sim 125^{\circ}\text{C}$

3.3 抗拉力实验: :产品的引线端应能承受大于或等于 80N 拉力,导线无断裂、滑出。

Tensile test: the lead end of the product should be able to bear a tensile force greater than or equal to 80N, and the wire should not break or slip out.

3.4 绝缘电压:

- 产品在断开时的引线之间应能承受 AC500V,历时 30S 而无击穿闪络现象;
- 产品引线与绝缘外壳之间能承受 AC1800V,历时 1S 而无击穿闪络现象;

Insulation voltage:

- When the product is disconnected, the lead wires should be able to withstand AC500V for 30s without breakdown and flashover;

b. The product lead and insulation shell can withstand AC1800V for 1s without breakdown and flashover;

3.5 绝缘电阻:在正常条件下,引线与绝缘外壳之间的绝缘电阻在 100MΩ以上。(所用表计为 DC500V 兆欧表)
Insulation resistance: under normal conditions, the insulation resistance between lead wire and insulating shell is more than 100m Ω. (the meter used is DC500v megohmmeter)

3.6 接触电阻:产品的接触电阻应不大于 50mΩ。
Contact resistance: the contact resistance of the product shall not be greater than 50m Ω.

3.7 耐高温试验:产品置于高于额定动作温度 50℃的空气环境中保持 96h。
High temperature resistance test: the product is kept in the air environment 50 °C higher than the rated operating temperature for 96 h.

3.8 耐低温试验:产品置于-5℃空气环境中保持 96h。
low temperature resistance test: the product is kept in - 5 °C air environment for 96h.

3.9 抗振试验:热保护器应能承受振幅 1.5mm,频率变化 10~55Hz, 扫描变化周期 3~5 次/min, 振动方向 X、Y、Z, 每个方向各连续振动 2h。

Anti vibration test: amplitude: 1.5mm, frequency variation: 10~55Hz, scan cycle: 3~5times/min, direction of vibration: 2h from X, 2h from Y and 2h from Z separately.

3.10 跌落试验:产品自 0.7m 高度自由落下 1 次。
drop test: the product falls freely once from 0.7m height.

3.11 抗压试验:产品应能承受 100N 静压力 1min。
Compression test: 100N static pressure for 1 min.

3.7,3.8,3.9,3.10,3.11 项试验后应满足下列条件:

- a.断开温度变化应在初期值的±7℃以内;
- b.接触电阻应在 100mΩ以下;
- c.外形应无明显变形;
- d.导线无开裂损伤。

3.7, 3.8, 3.9, 3.10 and 3.11 shall meet the following conditions after the test:

- a. The breaking temperature should be within + 7 °C of the initial value;
- b. The contact resistance should be below 100m Ω;
- c. There should be no obvious deformation;
- d. The conductor has no crack damage.

4 寿命

产品在额定电压、电流、功率因数为 0.7 的条件下,外加热源使其动作 6000 次,应满足下面条件:

- a.断开温度变化应在初始值的±5℃以内;

b.接触电阻应在 100mΩ以下;

继续试验至 10000 次后能动作。

life

When the rated voltage, current and power factor of the product are 0.7, and the external heat source makes it operate for 6000 times, the following conditions shall be met:

- a. The breaking temperature should be within + 5 °C of the initial value;
- b. The contact resistance should be below 100m Ω;

Continue the test until 10000 times, and then it can move.

5 注意事项: Matters needing attention

5.1 断开温度检测的升温速率应控制为 1°C/1min;

Temperature ramp should be controlled at 1°C/1min during open temperature test.

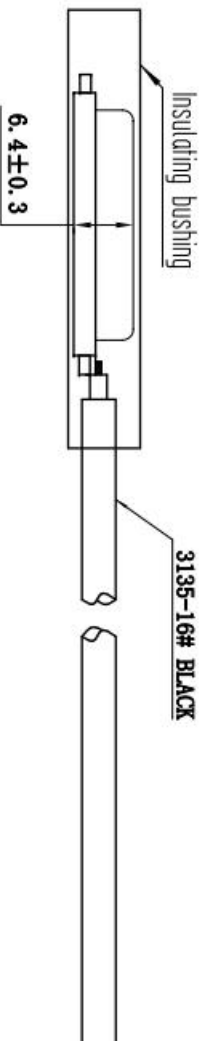
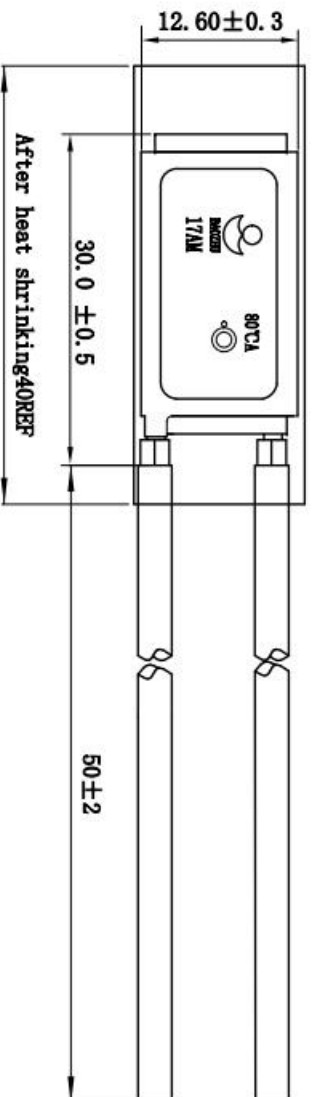
5.2 使用过程中产品不能承受强烈冲击力及压迫力;

Strong shocking or press is forbidden during application

6 本标准未涉及事项或客户有其它要求另行订立

Matters not covered by this standard or other requirements of customers shall be separately concluded

NO.	OPEN TEMPERATURE	NO.	OPEN TEMPERATURE
018	55 ± 5°C	031	120 ± 5°C
019	60 ± 5°C	032	125 ± 5°C
020	65 ± 5°C	033	130 ± 5°C
021	70 ± 5°C	034	135 ± 5°C
022	75 ± 5°C	035	140 ± 5°C
023	80 ± 5°C	036	145 ± 5°C
024	85 ± 5°C	037	150 ± 5°C
025	90 ± 5°C	038	155 ± 5°C
026	95 ± 5°C	039	160 ± 5°C
027	100 ± 5°C	040	165 ± 5°C
028	105 ± 5°C	041	170 ± 5°C
029	110 ± 5°C	042	175 ± 5°C
030	115 ± 5°C	043	180 ± 5°C



technical parameter:

1. Model: 17AM-80°C
2. Temperature setting: OFF: 80±5°C
ON: 50±15° C (reference)
3. All riveted parts must bear at least 8.0Kg without falling off.
4. Contact resistance: ≤50mΩ.
5. Contact double voltage: 660V 0.5mA / 1 second without leakage.
6. The materials of the parts comply with the ROHS directive.

设计	张俊	2023-07-28	标准化	张俊	2023-07-28
审核	张俊	2023-07-28	批准	张俊	2023-07-28
工艺	张俊	2023-07-28			

80°C				阶段	标记	重量	比例
				S			2:1
				共	张	第	张

Yangzhou Baozun Electric Co., Ltd.	
17AM-80°C	
2023072801	