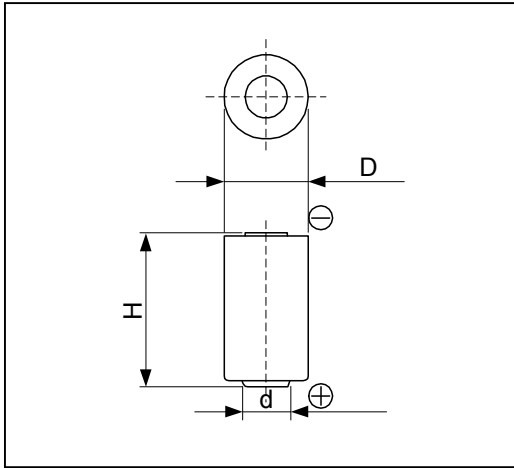


# Cell Type CR14250SE Specifications



Nominal Capacity <sup>*1</sup>		850mAh
Nominal Voltage		3V
Standard Discharge Current		0.5mA
Max. Discharge Current	Continuous <sup>*2</sup>	7.0mA
	Pulse <sup>*3</sup>	70mA
Temperature Range		-40°C ~ 85°C
Weight		9g
Dimensions	D	14.5mm
	H	25.0mm
	d	7mm

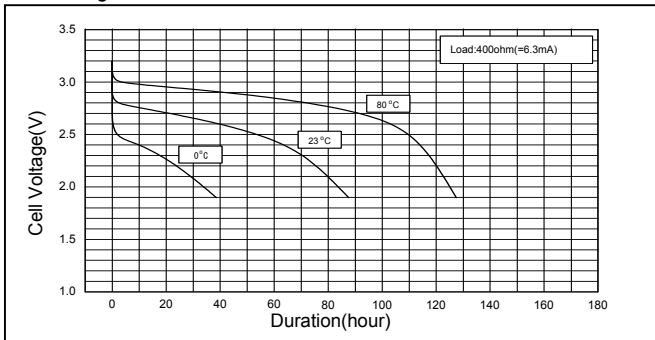
\*1 Nominal capacity is determined to an end voltage of 2.0V when the battery is allowed to discharge at a standard current level at 23°C.

\*2 Current value is determined to be the level at which 50% of the nominal capacity is obtained with an end voltage of 2.0V at 23°C.

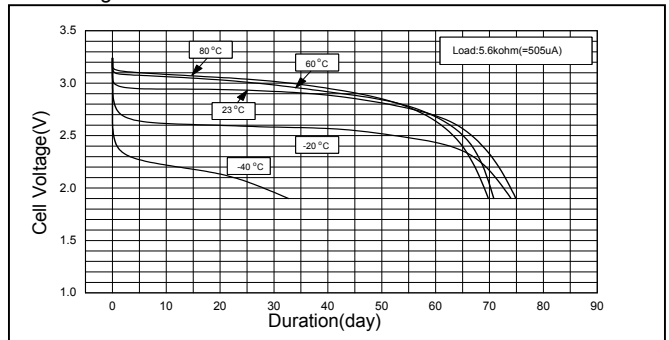
\*3 Current value for obtaining 2.0V cell voltage when pulse is applied for 15seconds at 50% discharge depth at 23°C.

## Typical Characteristics

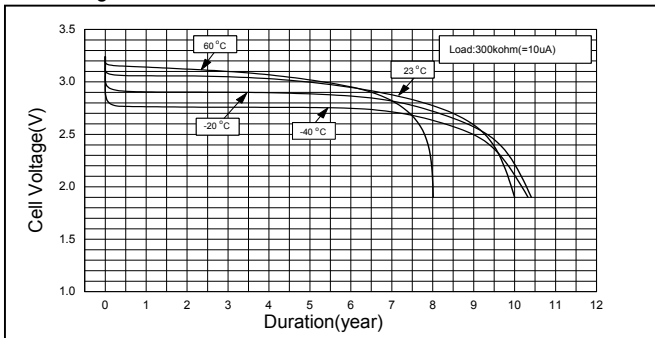
Discharge Characteristics of CR14250SE



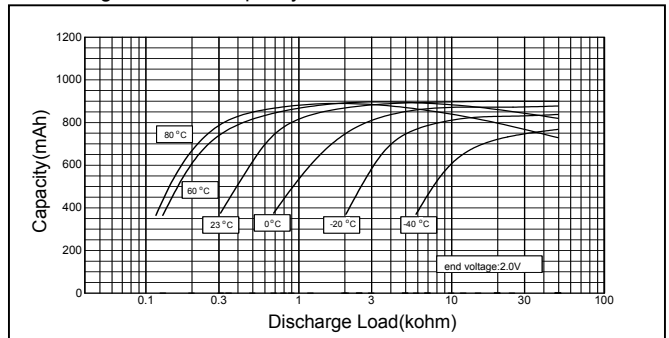
Discharge Characteristics of CR14250SE



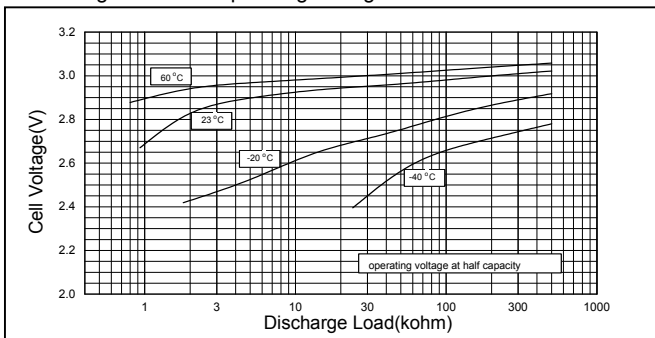
Discharge Characteristics of CR14250SE



Discharge Load vs. Capacity of CR14250SE



Discharge Load vs. Operating Voltage of CR14250SE



Discharge Characteristics of CR14250SE

