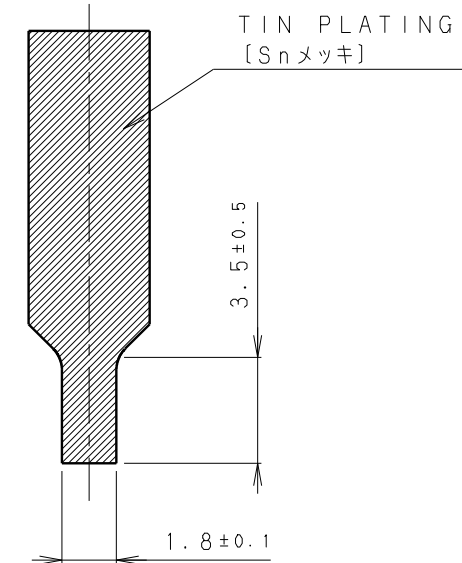
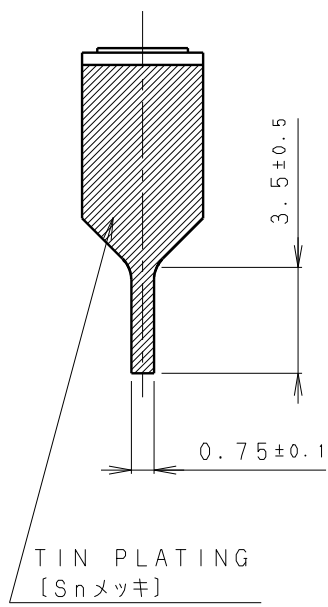
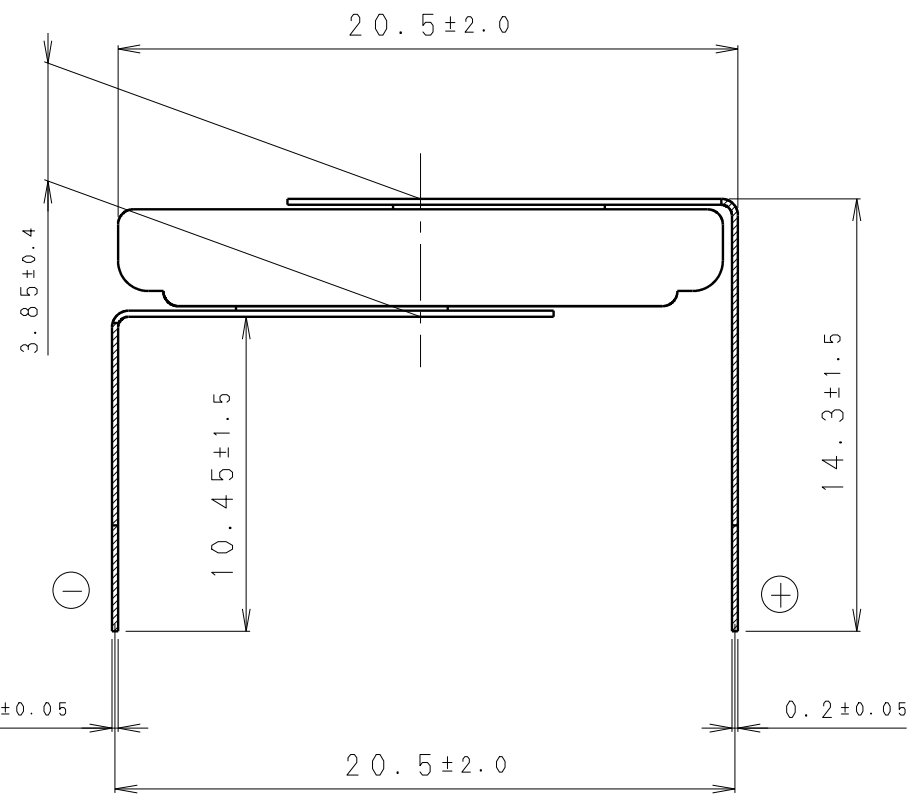
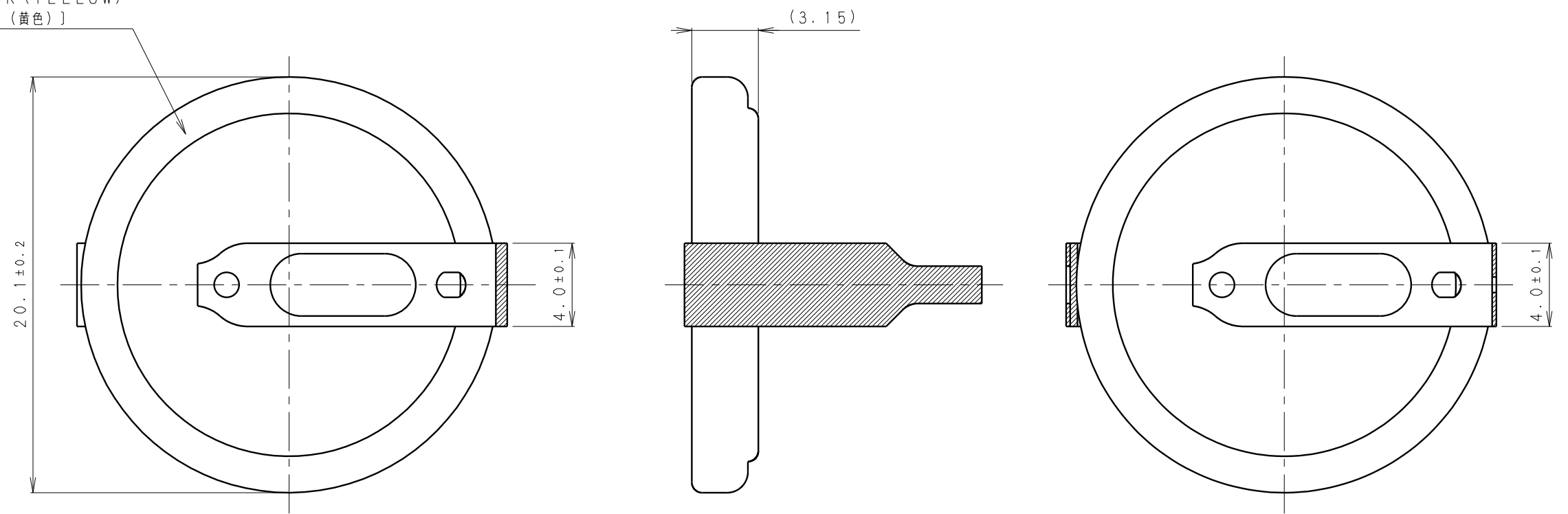


\* NOTE [注記]

1. TAB PULLING STRENGTH OVER 19.6N [端子溶接強度: 19.6N以上]
2. TAB MATERIAL: STAINLESS STEEL WITH TIN PLATING [端子材料: 基材 ステンレス/表面 部分Snメッキ]
3. ( ): REFERENCE DIMENSION AND ANGLE [ ( ) 寸法、角度は参考値]

PRODUCT NO.	BR-2032/HEN	SCALE	4:1
DRAWING NO.	PMHA1N	REV.	0
			UNIT:mm

INSULATOR (YELLOW)  
[絶縁チューブ (黄色)]

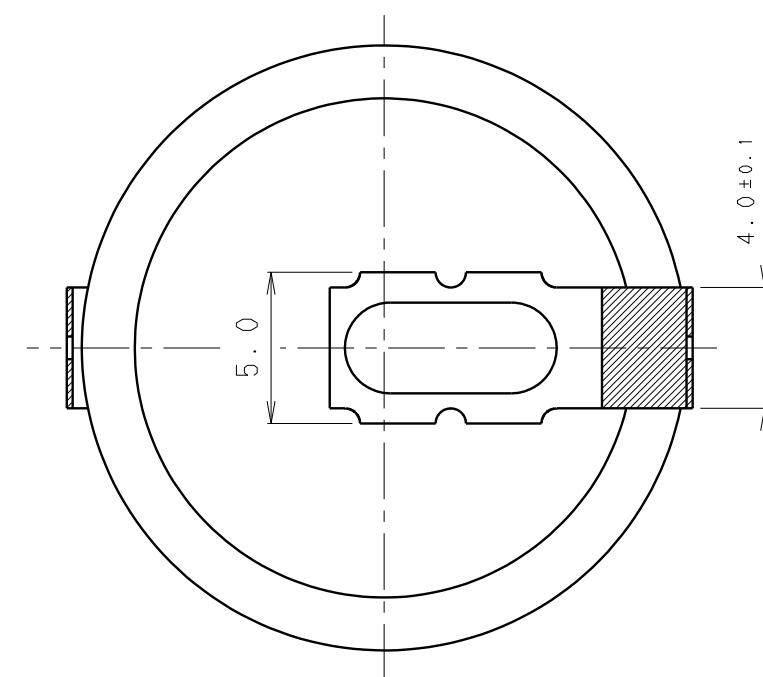
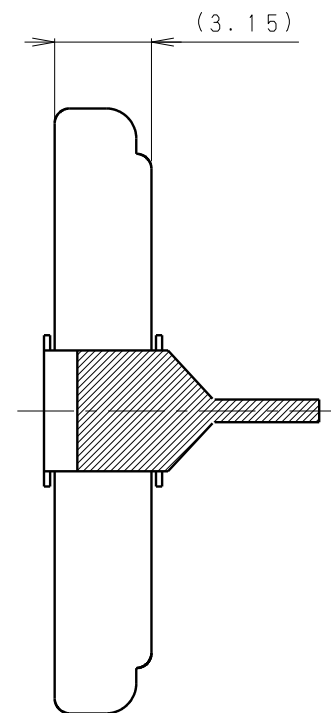
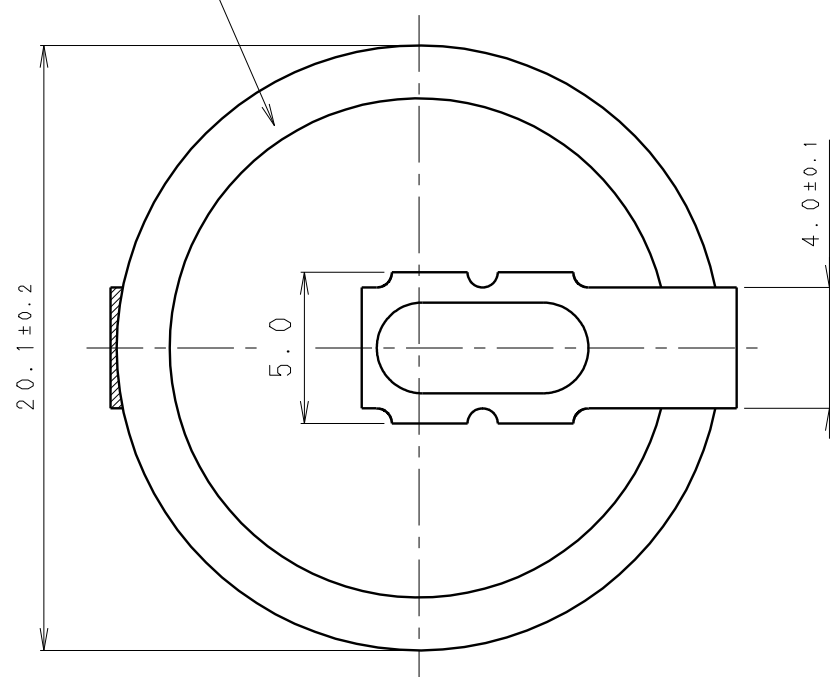


\* NOTE [注記]

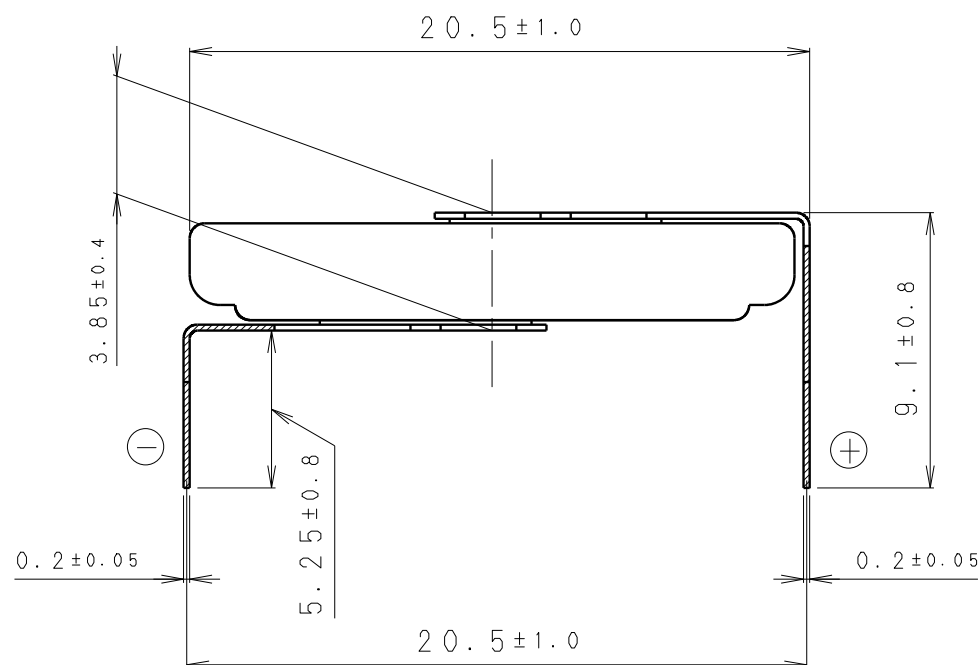
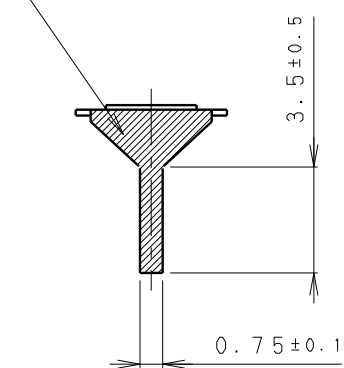
1. TAB PULLING STRENGTH OVER 19.6N [端子溶接強度: 19.6N以上]
2. TAB MATERIAL: STAINLESS STEEL WITH TIN PLATING [端子材料: 基材 ステンレス/表面 部分Snメッキ]
3. ( ): REFERENCE DIMENSION AND ANGLE [ ( ) 寸法、角度は参考値]

PRODUCT NO.	BR-2032/HMN	SCALE	4:1
DRAWING NO.	PMHH1Z	REV.	0
			UNIT: mm

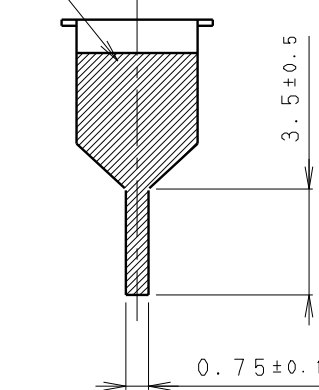
INSULATOR (YELLOW)  
 [絶縁チューブ\* (黄色)]



TIN PLATING  
 [Snメッキ]



TIN PLATING  
 [Snメッキ]

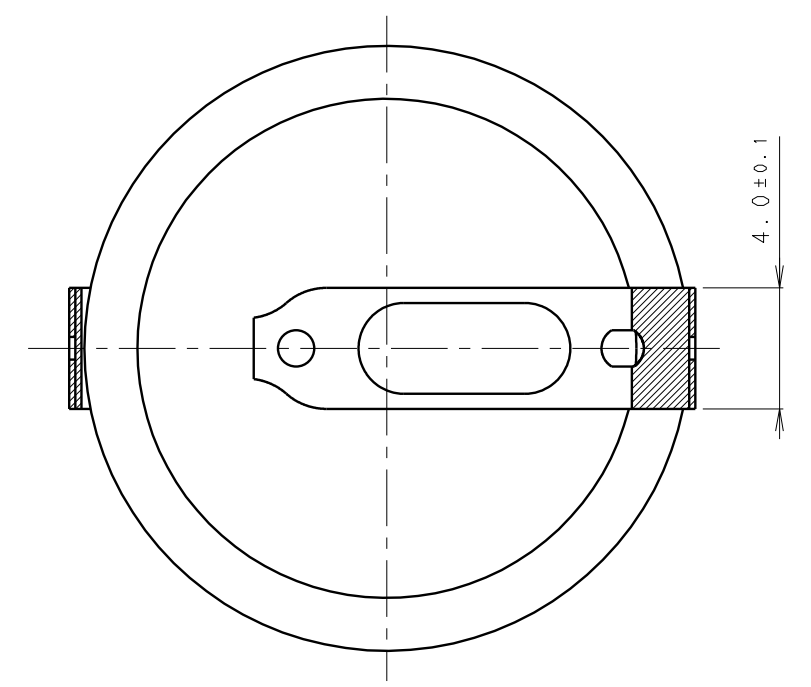
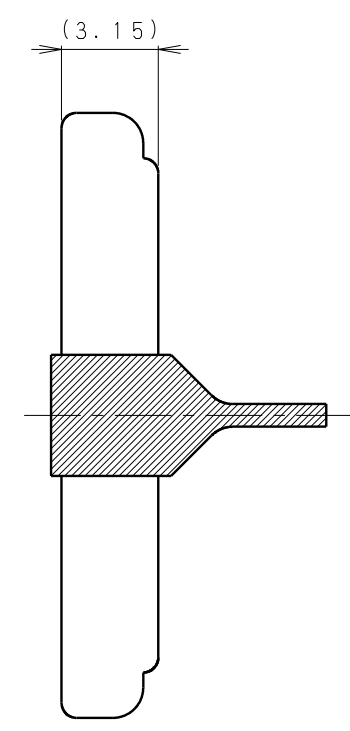
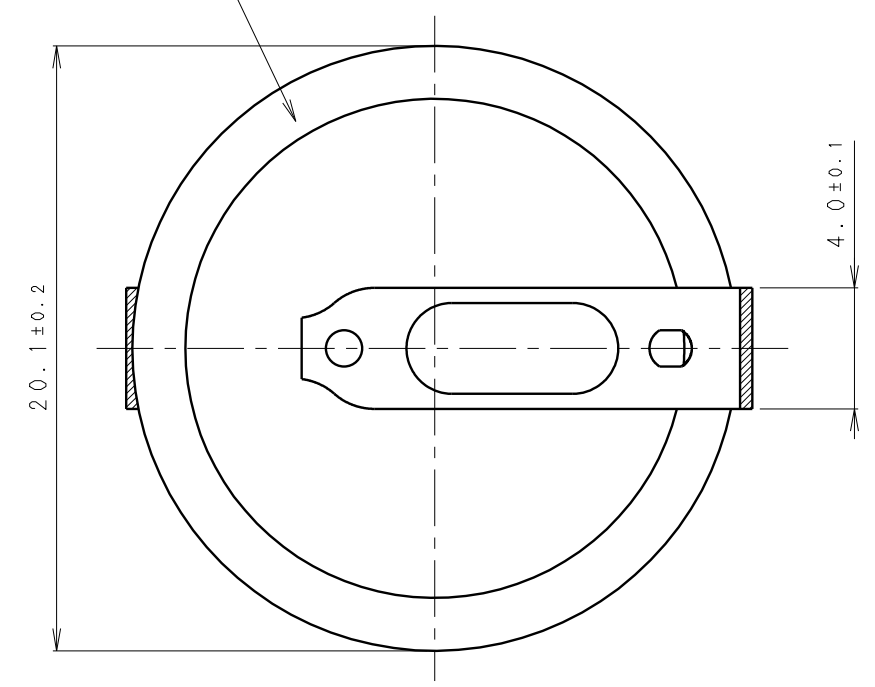


\* NOTE [注記]

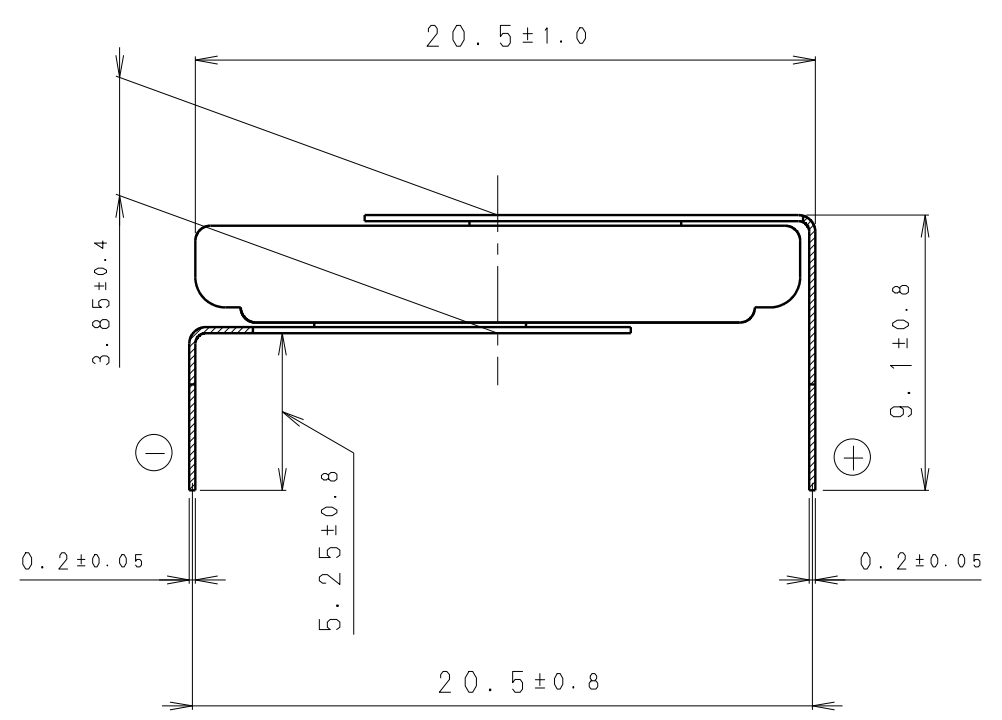
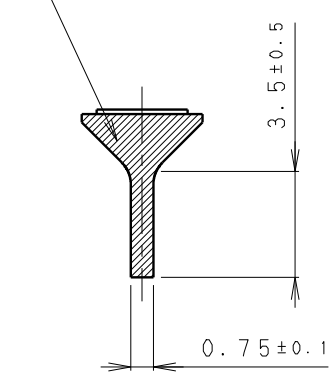
1. TAB PULLING STRENGTH OVER 19.6N [端子溶接強度: 19.6N以上]
2. TAB MATERIAL: STAINLESS STEEL WITH TIN PLATING [端子材料: 基材 ステンレス/表面 部分Snメッキ]
3. ( ): REFERENCE DIMENSION AND ANGLE [ ( ) 寸法、角度は参考値]

PRODUCT NO.	BR-2032/HFN	SCALE	4:1
DRAWING NO.	PMHB1Z	REV.	0
			UNIT:mm

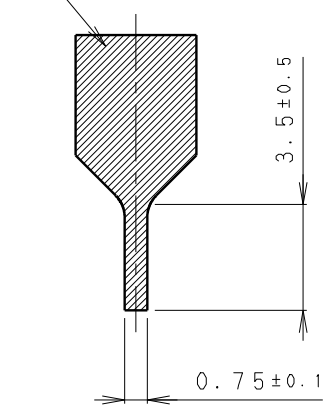
INSULATOR (YELLOW)  
[Snメッキ]



TIN PLATING  
[Snメッキ]



TIN PLATING  
[Snメッキ]

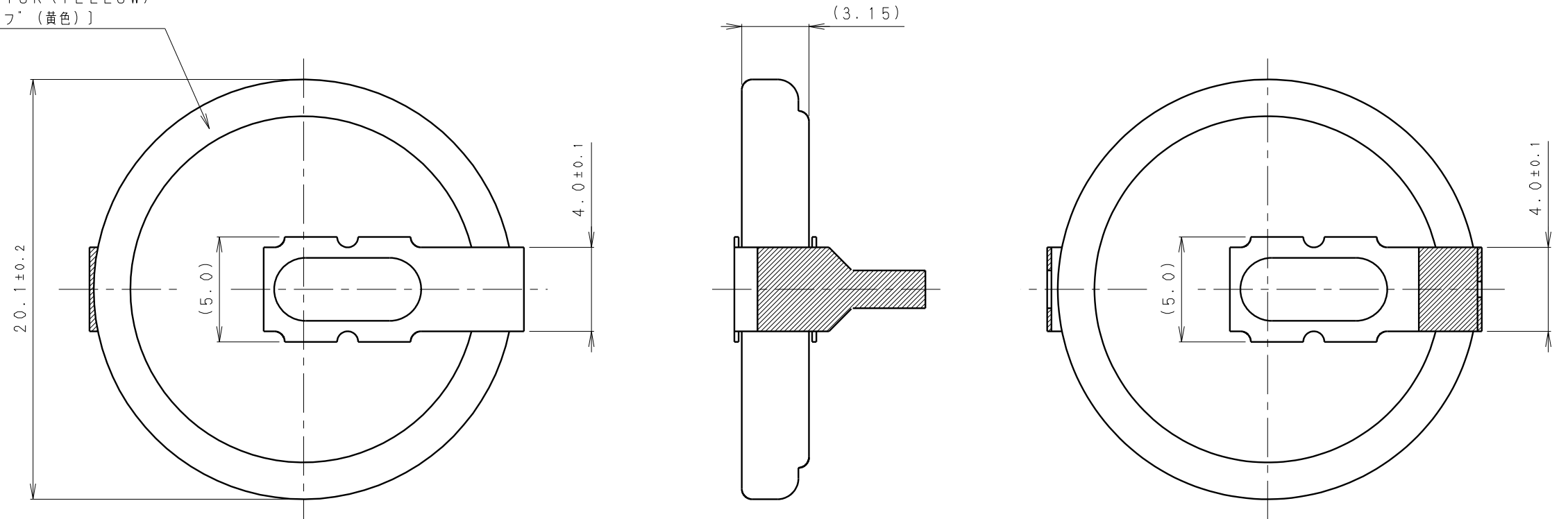


\* NOTE [注記]

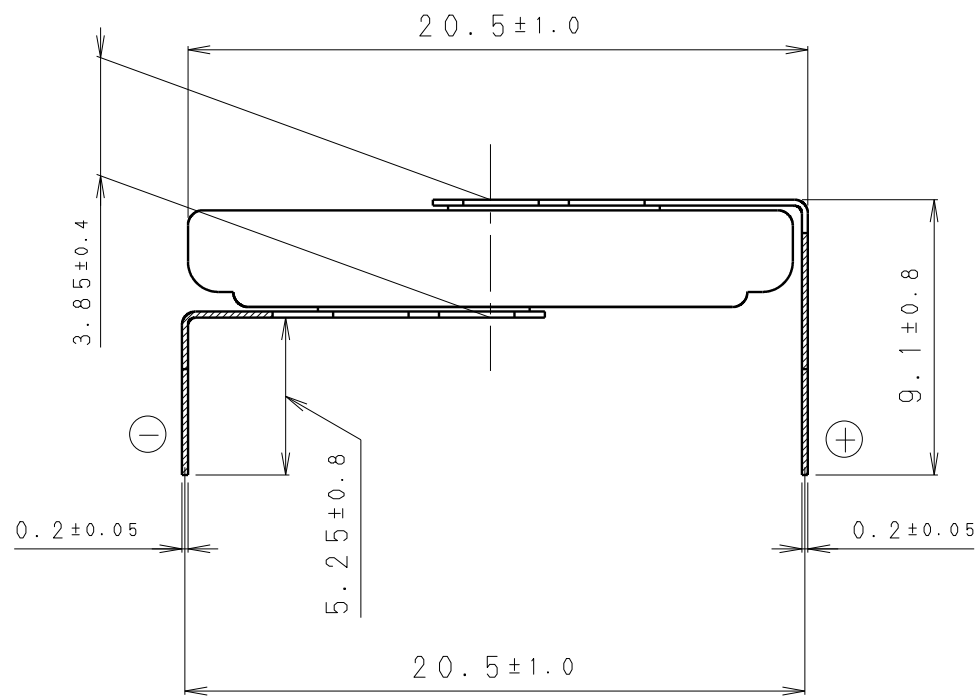
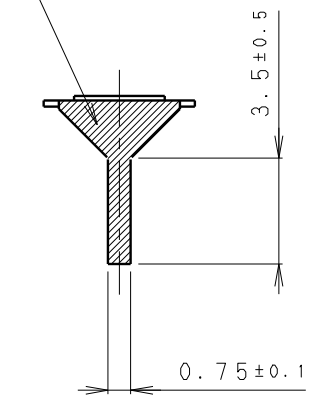
1. TAB PULLING STRENGTH OVER 19.6N [端子溶接強度:19.6N以上]
2. TAB MATERIAL: STAINLESS STEEL WITH TIN PLATING [端子材料:基材 ステンレス/表面 部分Snメッキ]
3. ( ): REFERENCE DIMENSION AND ANGLE [ ( ) 寸法、角度は参考値]

PRODUCT NO.	BR-2032/HFN	SCALE	4:1
DRAWING NO.	PMHA1Z	REV.	0
			UNIT:mm

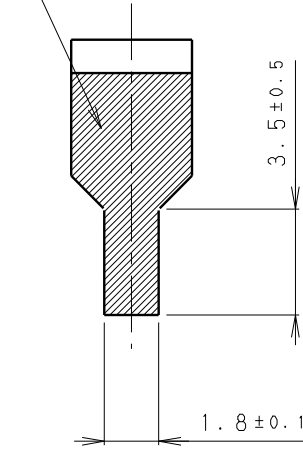
INSULATOR (YELLOW)  
[絶縁チューブ (黄色)]



TIN PLATING  
[Snメッキ]



TIN PLATING  
[Snメッキ]

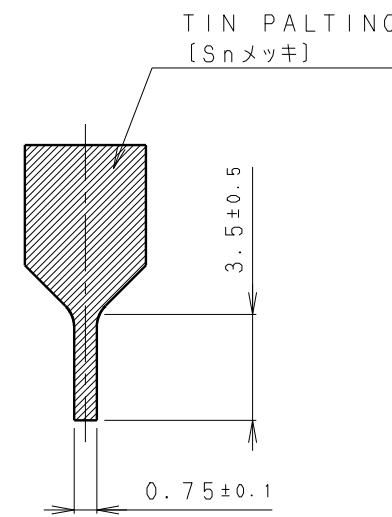
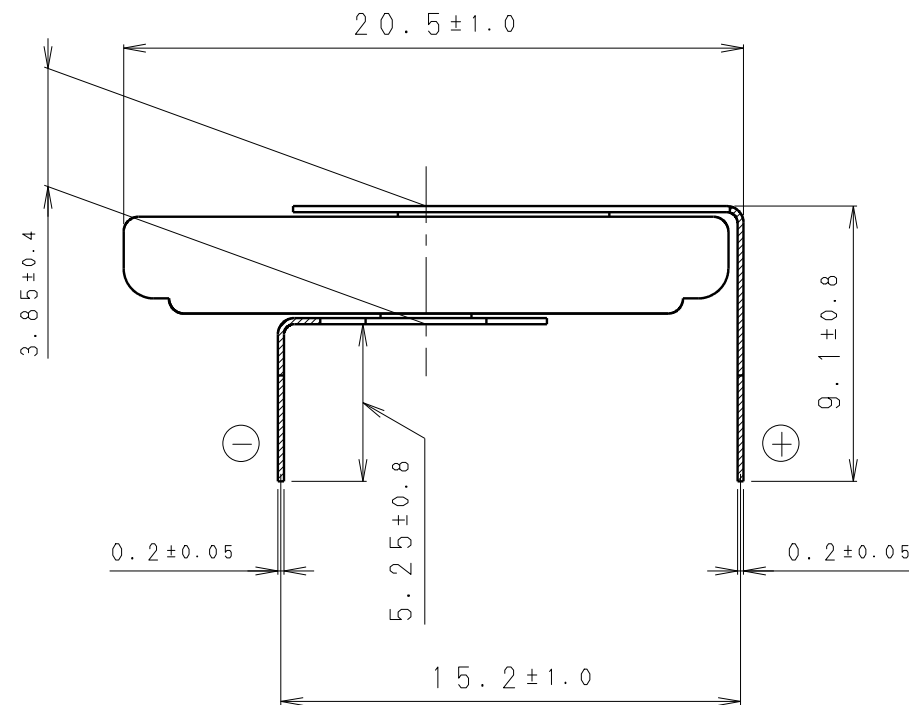
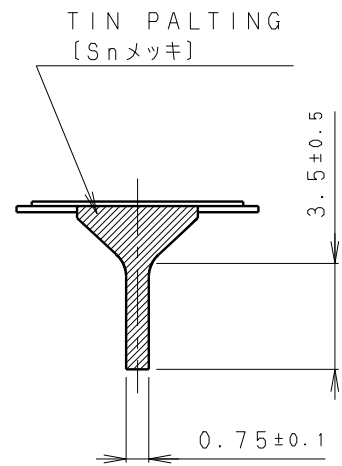
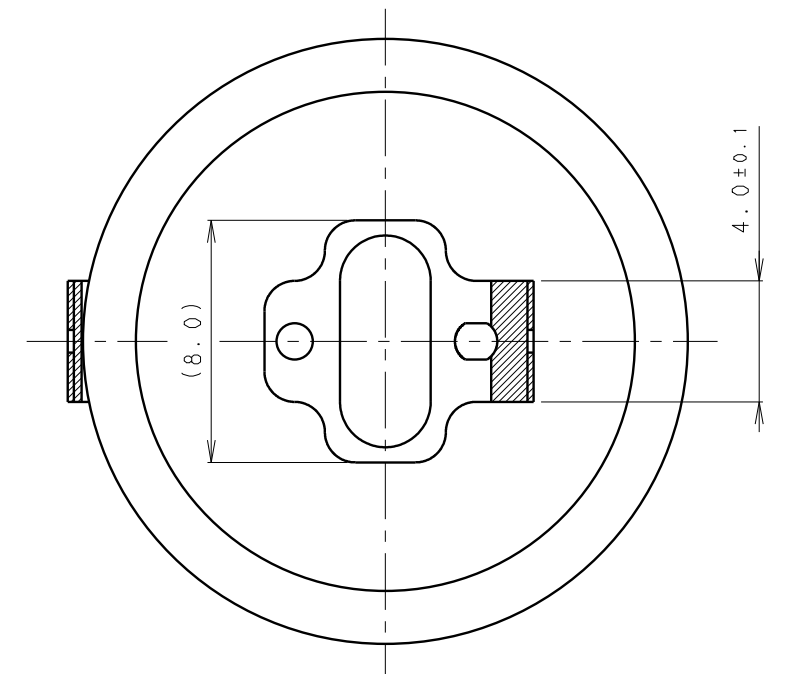
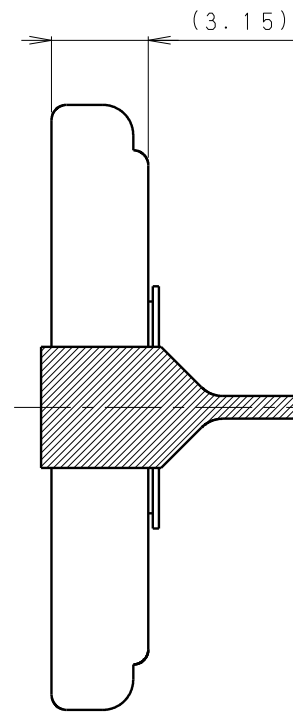
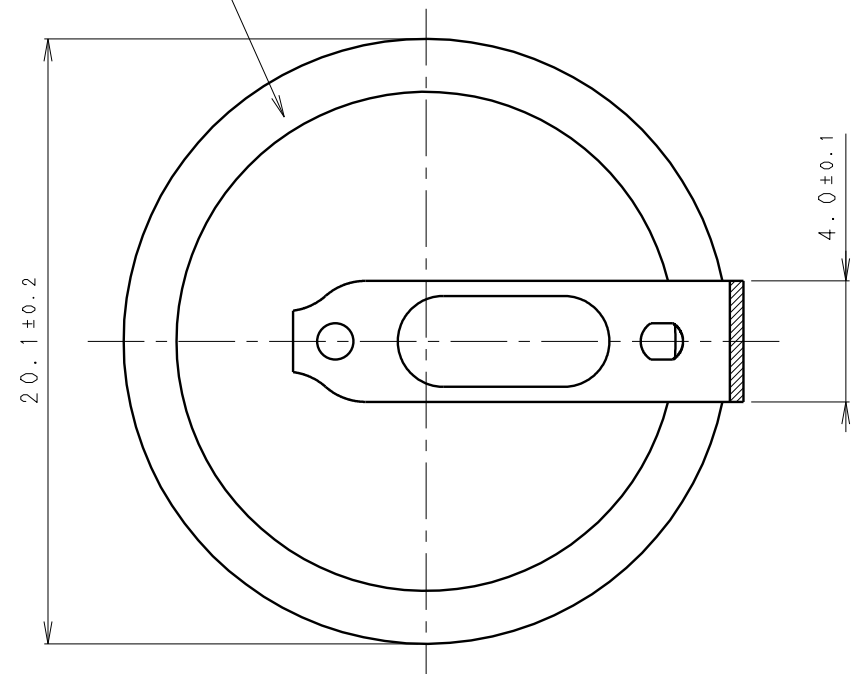


\* NOTE [注記]

1. TAB PULLING STRENGTH OVER 19.6N [端子溶接強度: 19.6N以上]
2. TAB MATERIAL: STAINLESS STEEL WITH TIN PLATING [端子材料: 基材 ステンレス/表面 部分Snメッキ]
3. ( ): REFERENCE DIMENSION AND ANGLE [ ( ) 寸法、角度は参考値]

PRODUCT NO.	BR-2032/HF1N	SCALE	
		4:1	
DRAWING NO.	PMHD1Z	REV.	UNIT:mm
		0	

INSULATOR (YELLOW)  
[絶縁チューブ (黄色)]



\* NOTE [注記]

1. TAB PULLING STRENGTH OVER 19.6N [端子溶接強度: 19.6N以上]
2. TAB MATERIAL: STAINLESS STEEL WITH TIN PLATING [端子材料: 基材 ステンレス/表面 部分Snメッキ]
3. ( ): REFERENCE DIMENSION AND ANGLE [ ( ) 寸法、角度は参考値]

PRODUCT NO.	BR-2032/HSN	SCALE	4:1
DRAWING NO.	PMHJ1Z	REV.	0
			UNIT:mm