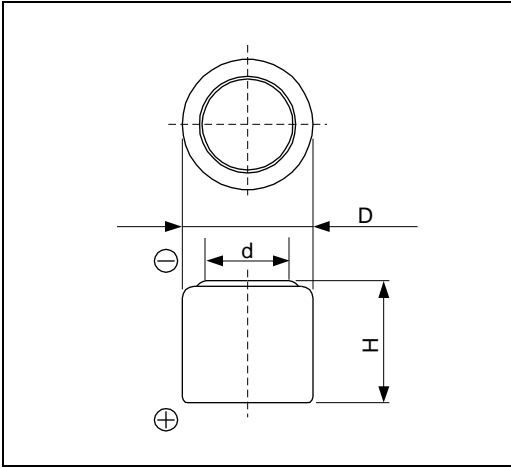


Cell Type CR-1/3N Specifications



Nominal Voltage (V)		3	
Nominal Capacity (mAh) ^{*1}		160	
Standard Discharge Current (mA)		2	
Max. Discharge Current (mA)	Continuous ^{*2}	60	
	Pulse ^{*3}	80	
Temperature Range (°C)		-20 ~ +60	
Weight (g)		3.3	
Dimensions (mm)		D	11.6
		H	10.8
		d	7.8

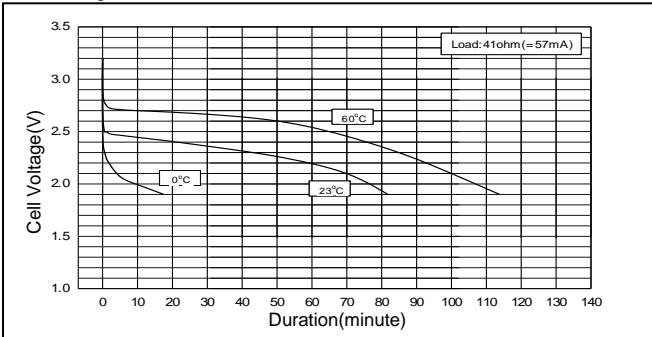
*1 Nominal capacity is determined to an end voltage of 2.0V when the battery is allowed to discharge at a standard current level at 23°C.

*2 Current value is determined to be the level at which 50% of the nominal capacity is obtained with an end voltage of 2.0V at 23 °C.

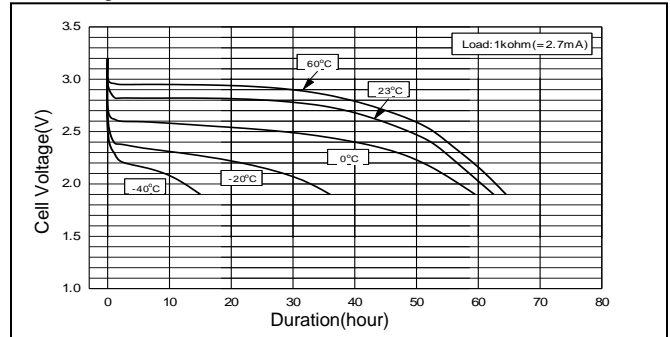
*3 Current value for obtaining 2.0V cell voltage when pulse is applied for 15seconds at 50% discharge depth at 23 °C.

Typical Characteristics

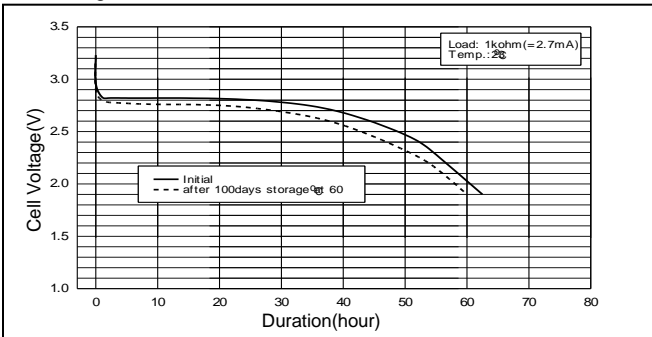
Discharge Characteristics of CR1/3N



Discharge Characteristics of CR1/3N



Discharge Characteristics of CR1/3N



Discharge Load vs. Capacity of CR1/3N

