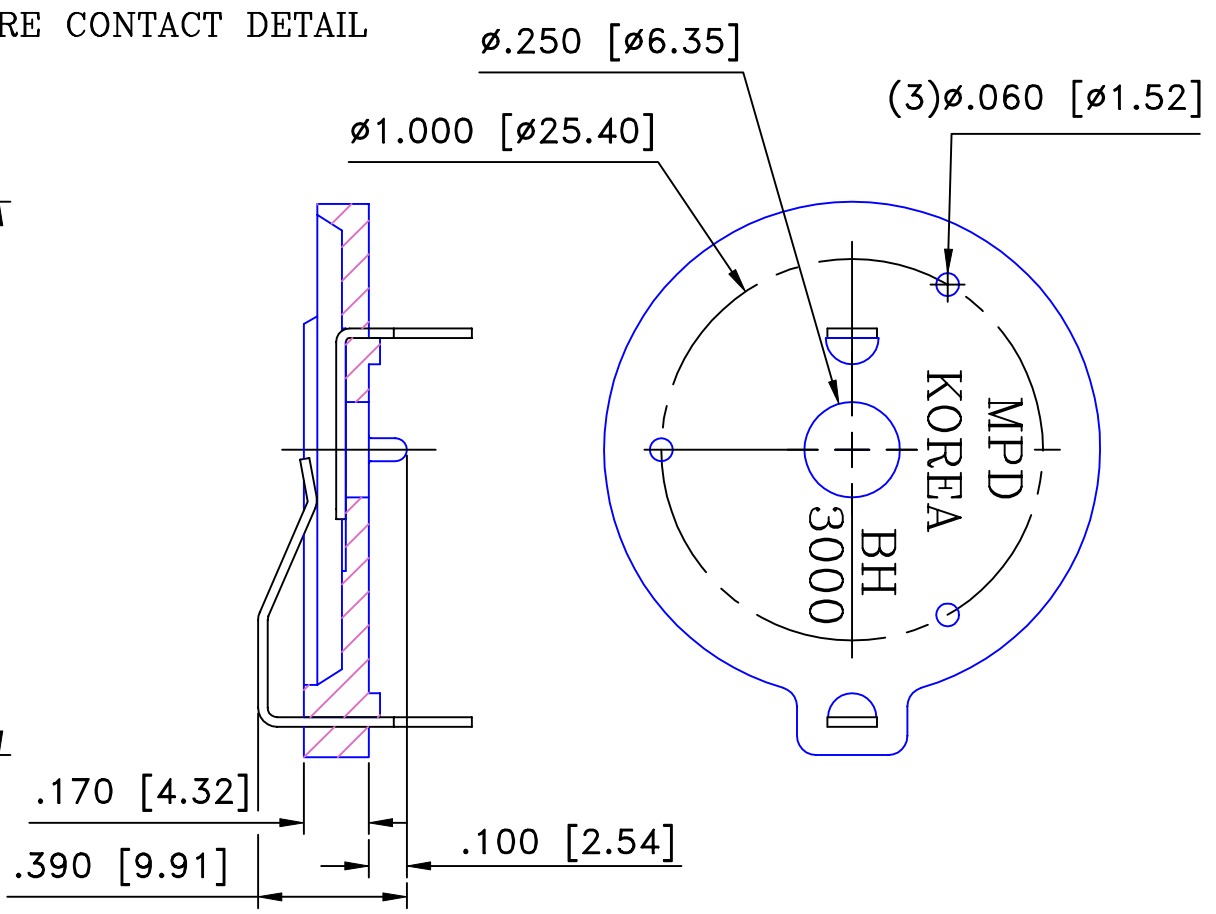
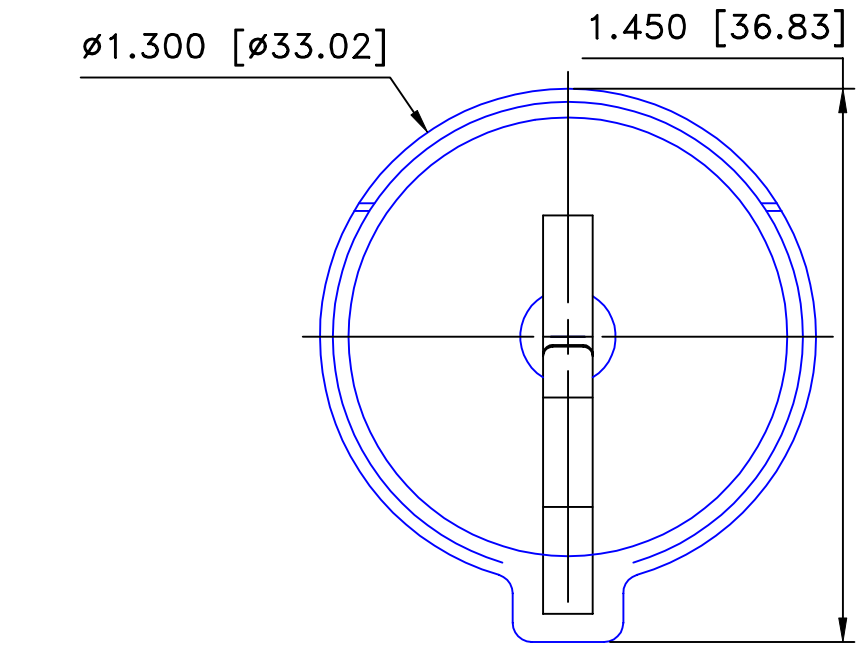
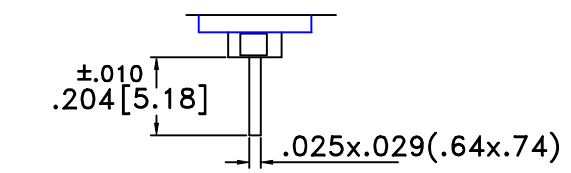
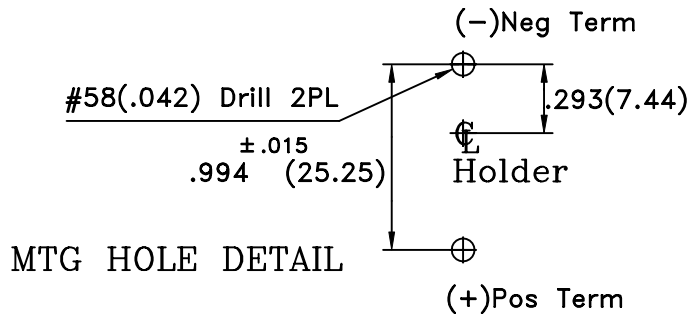



| Date | SYM | REVISION RECORD | AUTH | DR. | CK. |
|------|-----|-----------------|------|-----|-----|
|      |     |                 |      |     |     |
|      |     |                 |      |     |     |



**SPECIFICATIONS**

- \*Holder material—thermoplastic, black PBT
- \*Flammability rating—UL94V-0, File No.88499(M)
- \*Contacts—302 spring temper stainless steel nickel plated overall
- \*Dielectric strength—560volts/mil at 25°C for 5seconds
- \*Temperature range— -55° to +180°C
- \*Resistance to solvents—Xylene,ethyl,butyl,methyl&proptl alcohol;ethyl acetate,heptane;toluene;refrigerant

|                                |   |                |                  |
|--------------------------------|---|----------------|------------------|
| Tolerance<br>(Except as noted) |  <b>Memory protection Devices, Inc</b><br>200 Broad Hollow Road, Farmingdale, New York 11735 |                |                  |
| decimal                        |   | Scale          | Drawn By T.S.    |
| ±.5 (.020)                     |   | 2=1            | Approved By T.B. |
| Fractional                     | Title   |                |                  |
| ± .8 (.030)                    | CR3032 BATTERY HOLDER, 30MMx3.2MM THICK   |                |                  |
| Angular                        | Date  | Drawing Number |                  |
| ± 3°                           | 10/13/00  | BH3000         |                  |