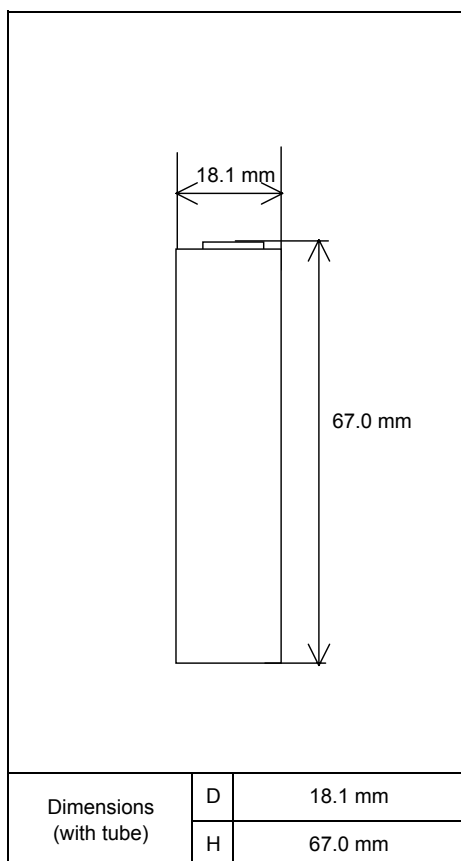


## Specifications

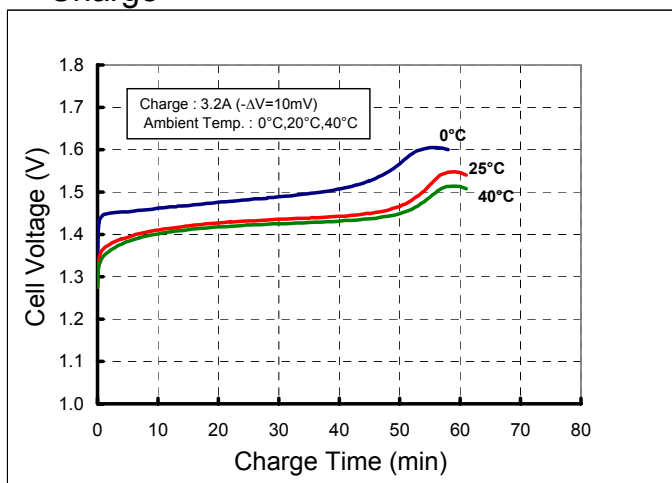


Type : Nickel-Metal Hydride Battery		Size : 4/3FA
Capacity <sup>1)</sup>	Typical	3200mAh
	Minimum	3050mAh
Nominal Voltage		1.2V
Charging Current x Time	Fast Charge <sup>2)</sup>	3200 mA x about 1.1h
Ambient Temp.	Charge Condition	Fast Charge <sup>2)</sup>
	Discharge Condition	
	0°C - 50°C	
Storage Condition	Less than 30days	-20°C - 50°C
	Less than 90days	-20°C - 40°C
	Less than 1year	-20°C - 30°C
Internal Impedance <sup>3)</sup> (after discharge to E.V.=1.0V)		Approx. 6mΩ(at 1000Hz)
Weight <sup>4)</sup>		Approx. 59 g
Size <sup>4)</sup> : (Diameter) x (Height)		18.1(D) x 67.0(H) mm

- 1) Single cell capacity under the following condition.  
 Charge : 320mA×16h, Discharge : 640mA(E.V.=1.0V) at 20°C  
 2) Use recommended charging system.  
 3) After a few charge and discharge cycles under the above 1) condition.  
 4) With tube.

## Typical Characteristics

### Charge



### Discharge

