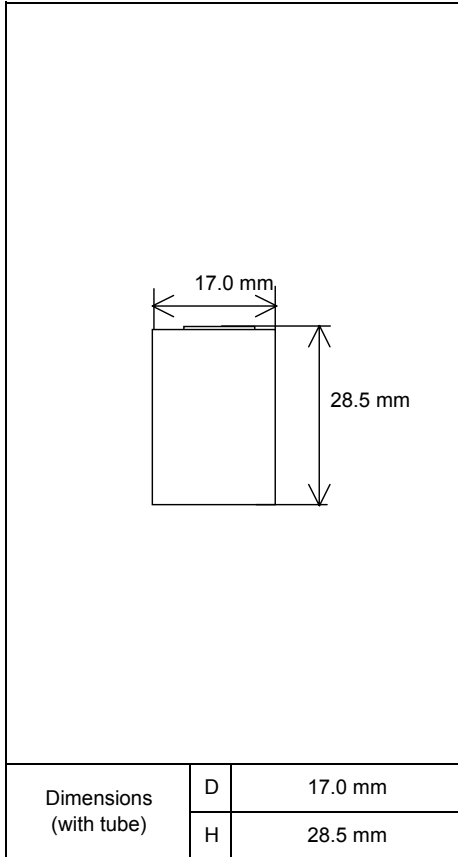


Specifications

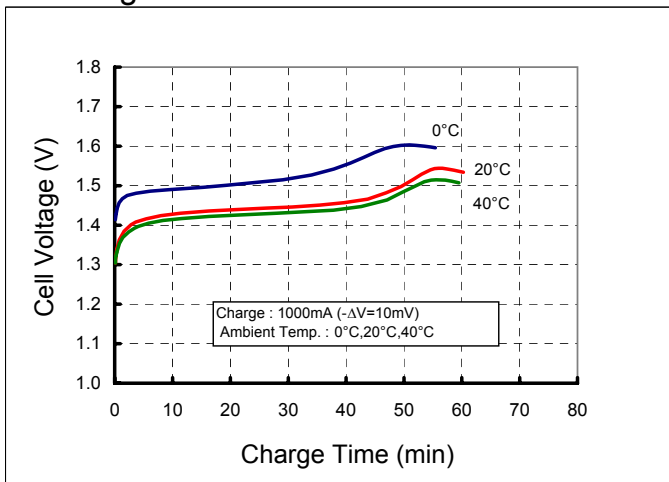


| | | | |
|--------------------------------------------------------------------|---------------------------|---------------------------|--------------|
| Type : Nickel-Metal Hydride Battery | | Size : 2/3AUC | |
| Capacity ¹⁾ | Typical | 1000mAh | |
| | Minimum | 950mAh | |
| Nominal Voltage | | 1.2V | |
| Charging Current x Time | Fast Charge ²⁾ | 1000 mA x about 1.1h | |
| Ambient Temp. | Charge Condition | Fast Charge ²⁾ | |
| | Discharge Condition | 0°C - 50°C | |
| | Storage Condition | Less than 30days | -20°C - 50°C |
| | | Less than 90days | -20°C - 40°C |
| Less than 1year | | -20°C - 30°C | |
| Internal Impedance ³⁾ (after discharge to E.V.=1.0V) | | Approx. 30mΩ(at 1000Hz) | |
| Weight ⁴⁾ | | Approx. 23 g | |
| Size ⁴⁾ : (Diameter) x (Height) | | 17.0(D) x 28.5(H) mm | |

- 1) Single cell capacity under the following condition.
Charge : 100mA×16h, Discharge : 200mA(E.V.=1.0V) at 20°C
- 2) Use recommended charging system.
- 3) After a few charge and discharge cycles under the above 1) condition.
- 4) With tube.

Typical Characteristics

Charge



Discharge

