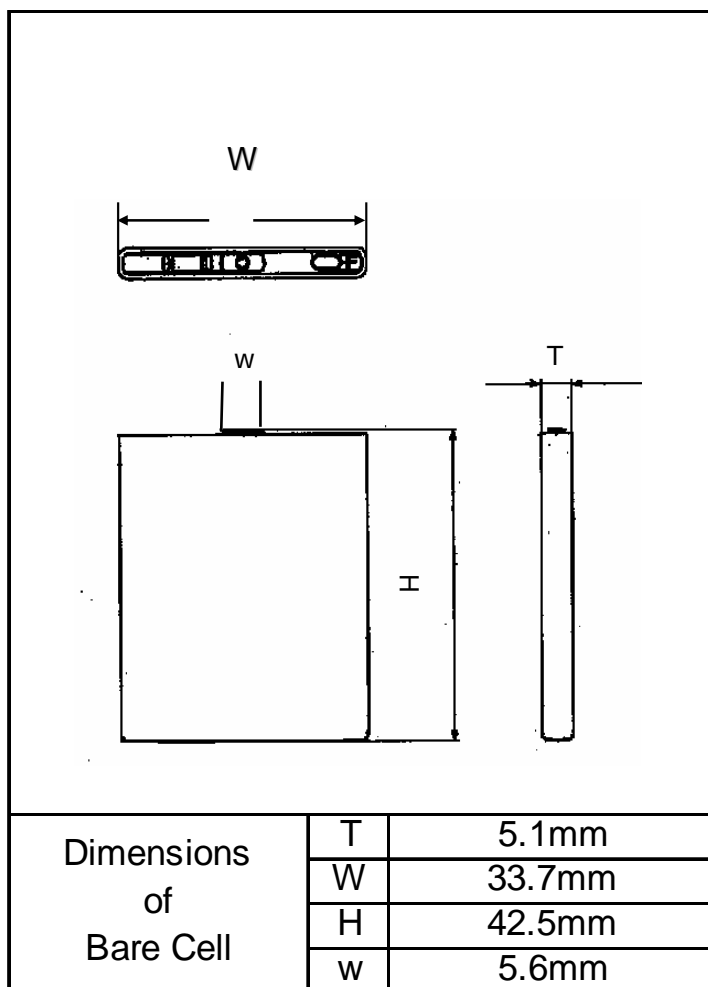


Cell Type UF553443F(880mAh)

Jul. 05

Specifications



Nominal Capacity		Min.880mAh
Nominal Voltage		3.7V
Charging Method		Constant Current -Constant Voltage
Charging Voltage		4.2V
Charging Current		Std. 880mA
Charging Time		2.5hrs.
Ambient Temperature	Charge	0 ~ +40
	Discharge	-20 ~ +60
	Storage	-20 ~ +50
Weight (Max.)		18.0g
Dimensions (Max.)	(T)	5.4mm
	(W)	33.85mm
	(H)	42.8mm
Volumetric Energy Density		416Wh/l
Gravimetric Energy Density		180Wh/kg

Discharged State after Assembling

*The maximum thickness of the standard shipment charging condition

*When designing a battery pack, get the precise information on a cell battery drawing