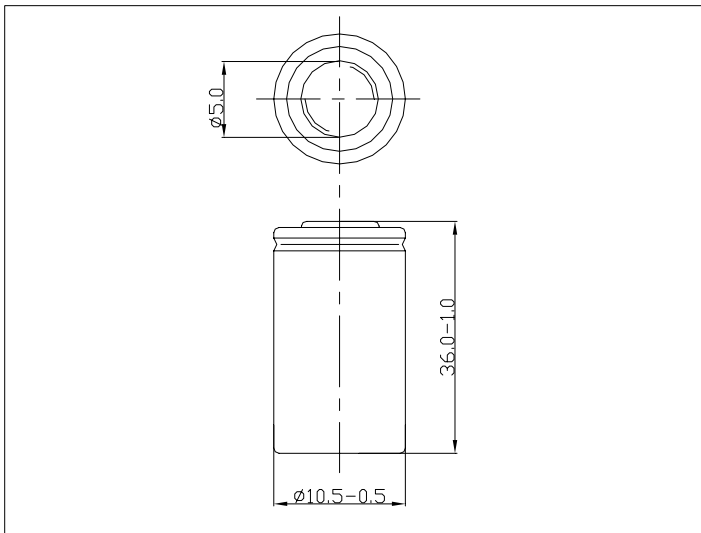


Model H500-4/5AAA

Specifications of single cell

Nominal voltage		1.2V	
Capacity		0.2CA Discharge	1.0CA Discharge
	Typical	310min	58min
	Minimum	300min	54min
Dimensions		mm	
	Diameter	10.5 ^{-0.5}	
	Height	36.0 ^{-1.0}	
Weight(Approximately)		gram	
		9.5	
Internal Impedance At 1000 Hz		≤35mΩ (After Charge)	
Charge	Standard	50mA(0.1CA)×16h	
	Rapid	500mA(1.0CA)×1.2h	
Ambient temperature		°C	
	Charge	standard	0°C to 45°C
		Rapid	10°C to 40°C
	Discharge	-20°C to 65°C	
Storage	-20°C to 45°C		

Dimensions with tube

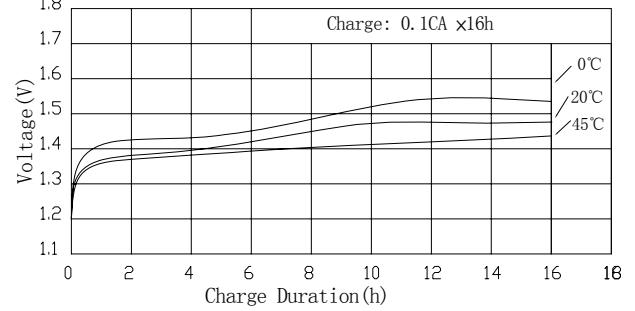


Note:

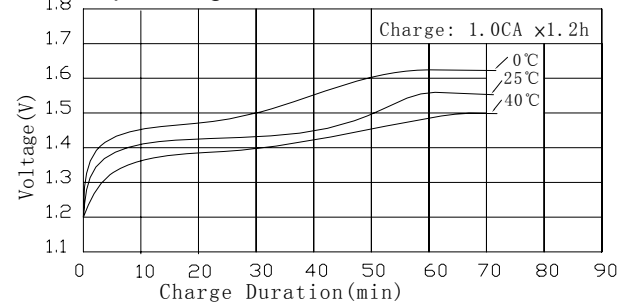
1. Nominal capacity, rated at 0.2CA 20°C.
2. Average capacity, for reference only.
3. Weight and internal impedance are For reference only.
4. Standard according as IEC of test cycle life.

Typical characteristics

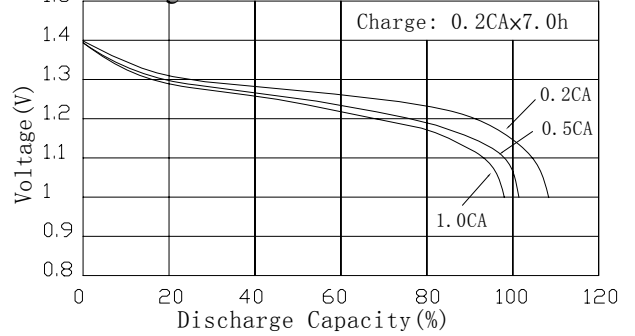
Standard charge characteristics



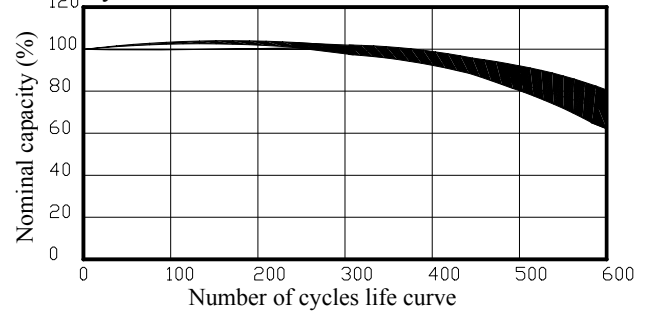
Rapid charge characteristics



Discharge characteristics



Cycle life characteristics



Charge retention curves of Ni-MH cylindrical cell at various storage temperature

