

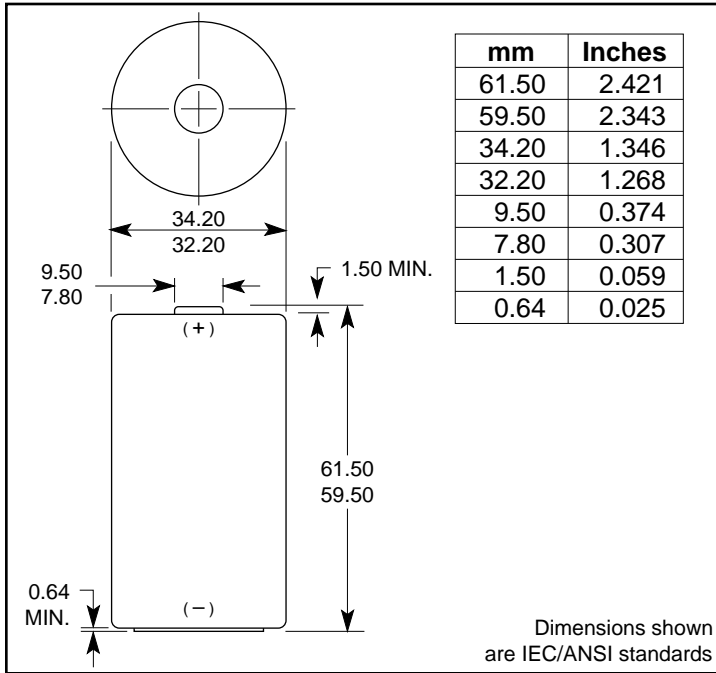
DURACELL®

MN1300

Size: D

Zn/MnO₂

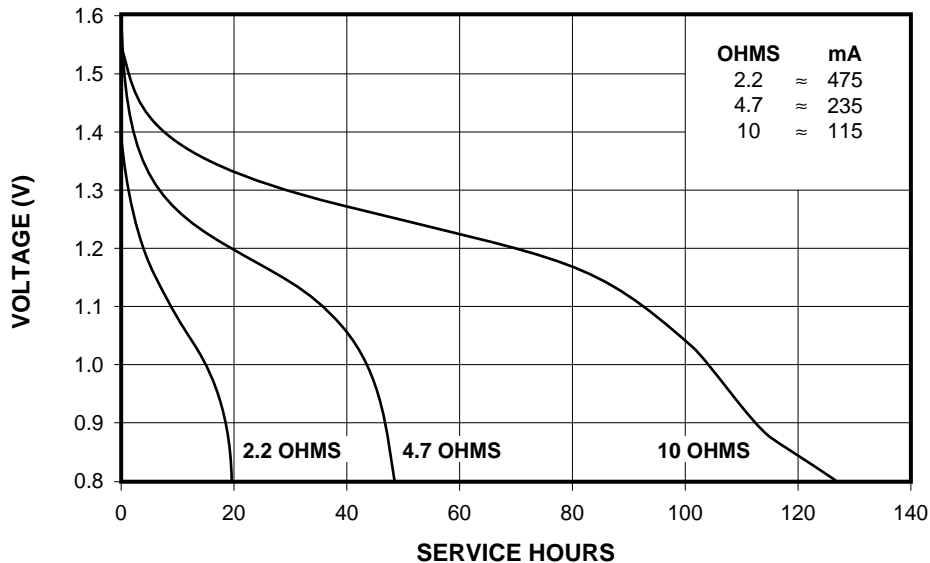
Alkaline-Manganese Dioxide Battery



SPECIFICATIONS

Nominal Voltage:	1.5 V
Rated Capacity:	15,000 mAh at 10 Ω to 0.8 V at 21°C (70°F)
Nominal Weight:	138 g (4.86 oz.)
Nominal Volume:	56.4 cm ³ (3.44 in. ³)
Terminals:	Flat
Operating Temp. Range:	-20°C to 54°C (-4°F to 130°F)
NEDA:	13 A
ANSI:	13 A
IEC:	LR20
Military:	BA-3030/U

TYPICAL DISCHARGE CHARACTERISTICS AT 21°C (70°F)



DURACELL INC.

New Products and Technology Division
Berkshire Corporate Park
Bethel, CT 06801 U.S.A.
Telephone: Toll-free 1-800-431-2656
Outside North America: 203-791-3274
Facsimile: 203-791-3273
Internet: www.duracellnpt.com

This data sheet is under document control and is therefore subject to change. Contact Duracell for the latest information.

