



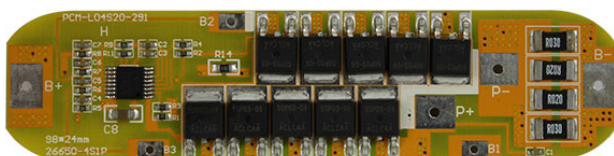
PCM for 13.2V LiFePO4 Battery Pack

SPECIFICATIONS

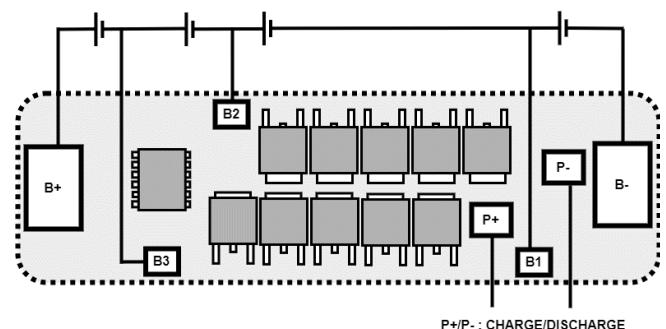
No.	Test Item	Criterion	
1	Voltage	Charging voltage	DC:14.4 CC/CV 3.6V/Cell
		Balance voltage for single cell	N/A
2	Current	Balance current for single cell	N/A
		Low Current consumption for single cell	50µA max
		Maximal continuous Discharging current	20A
		Maximal continuous Charging current	20A
3	Over Charge Protection	Over charge detection voltage	3.90V±0.025V
		Over charge detection delay time	0.5S - 1.5S
		Over charge release voltage	3.80V±0.05V
4	Over Discharge Protection	Over discharge detection voltage	2.30V±0.08V
		Over discharge detection delay time	0.5S - 1.5S
		Over discharge release voltage	2.70±0.1V
5	Over Current Protection	Over current detection voltage	0.3V±0.025V
		Over current detection current	60±10A
		Detection delay time	5ms - 15ms
		Release condition	Cut load
6	Short Protection	Detection condition	Exterior short circuit
		Detection delay time	200-500us
		Release condition	Cut load
7	Resistance	Protection circuitry	≤50mΩ
8	Temperature	Operating Temperature Range	-40~+85°C
		Storage Temperature Range	-40~+125°C
9	Dimensions	L 98.0mm x W 24.0mm x T 5.0mm	

IMAGE

Shunt resistor=12.5mΩ



CONNECTION DIAGRAM



P+/P- : CHARGE/DISCHARGE

