

# MODEL TL-4986

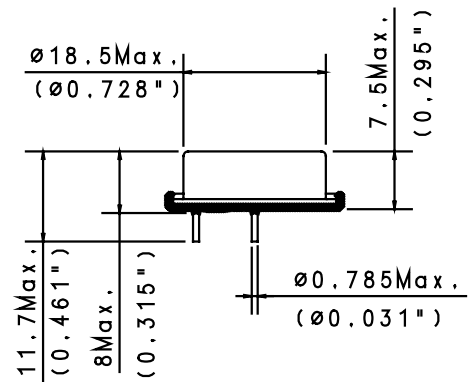
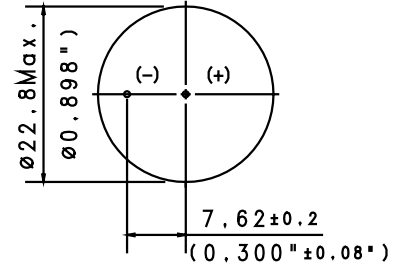
International size reference: ER22G75

## TECHNICAL DATA

(Typical values @+25°C for batteries stored for one year or less)

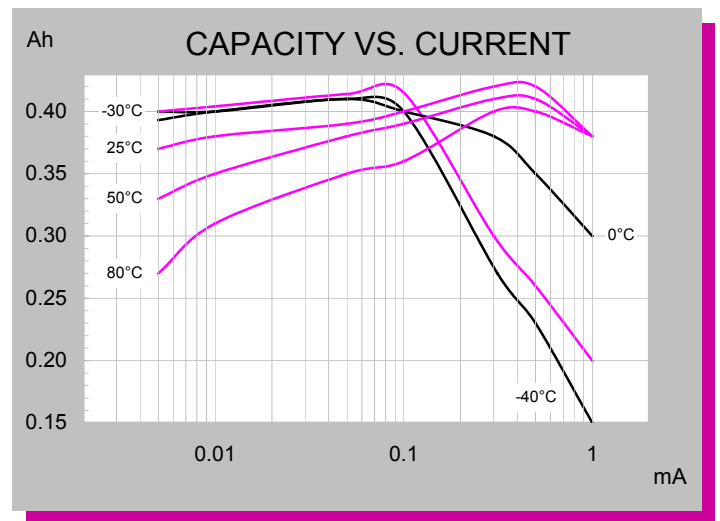
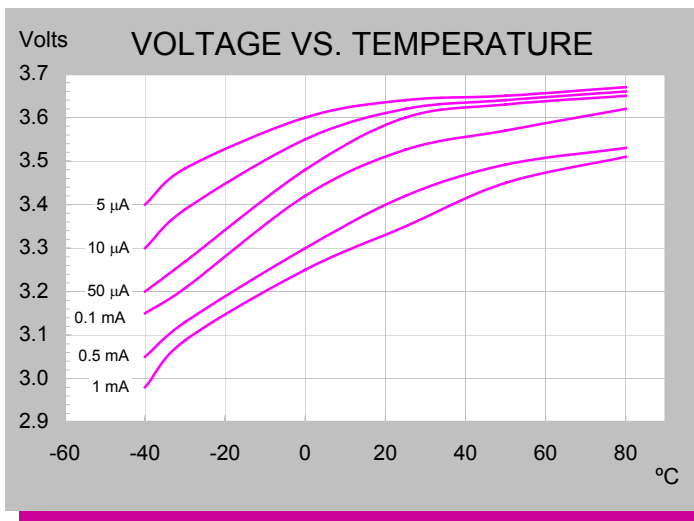
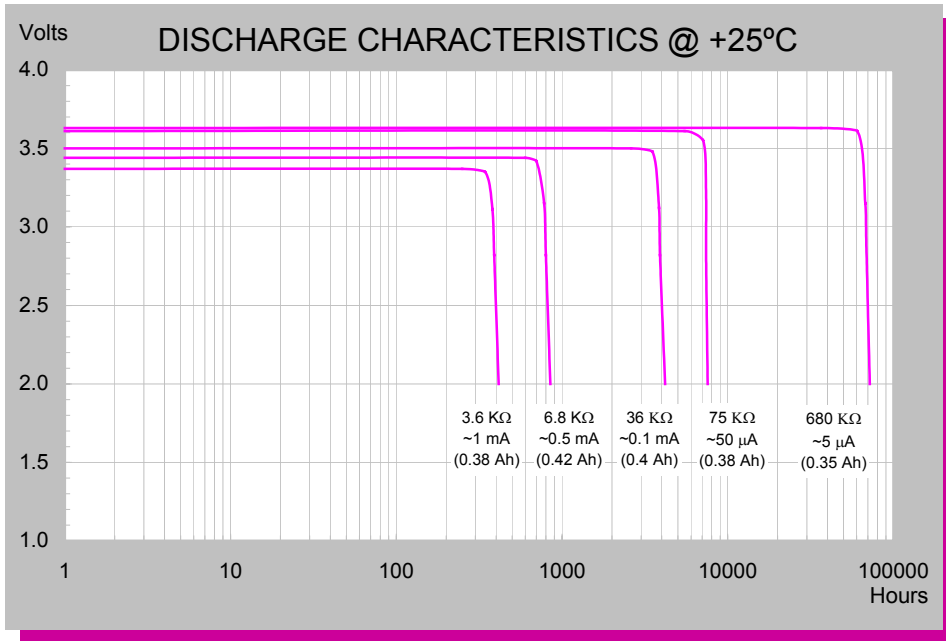
- Nominal capacity @ 0.5 mA, to 2 V 0.42 Ah
- Rated voltage 3.6 V
- Maximum recommended continuous current 5 mA
- Maximum 1 sec. pulse capability 10 mA
- Weight 6 g (0.211 oz)
- Volume 2.1 cc
- Operating temperature range -55 °C to +85 °C
- U.L. Component Recognition MH 12193

# TADIRAN LITHIUM BATTERIES



### ADDITIONAL INFORMATION

SUFFIX - /P TIN PLATED NICKEL PINS  
 CATALOGUE NO.: 15-4986-43000



## XOL - Extended Operating Life

Note: Any presentations in this data sheet concerning performance are for information purpose only and are not construed as warranties either expressed or implied, of future performance.

ECN 1501186 Rev. E 01/06