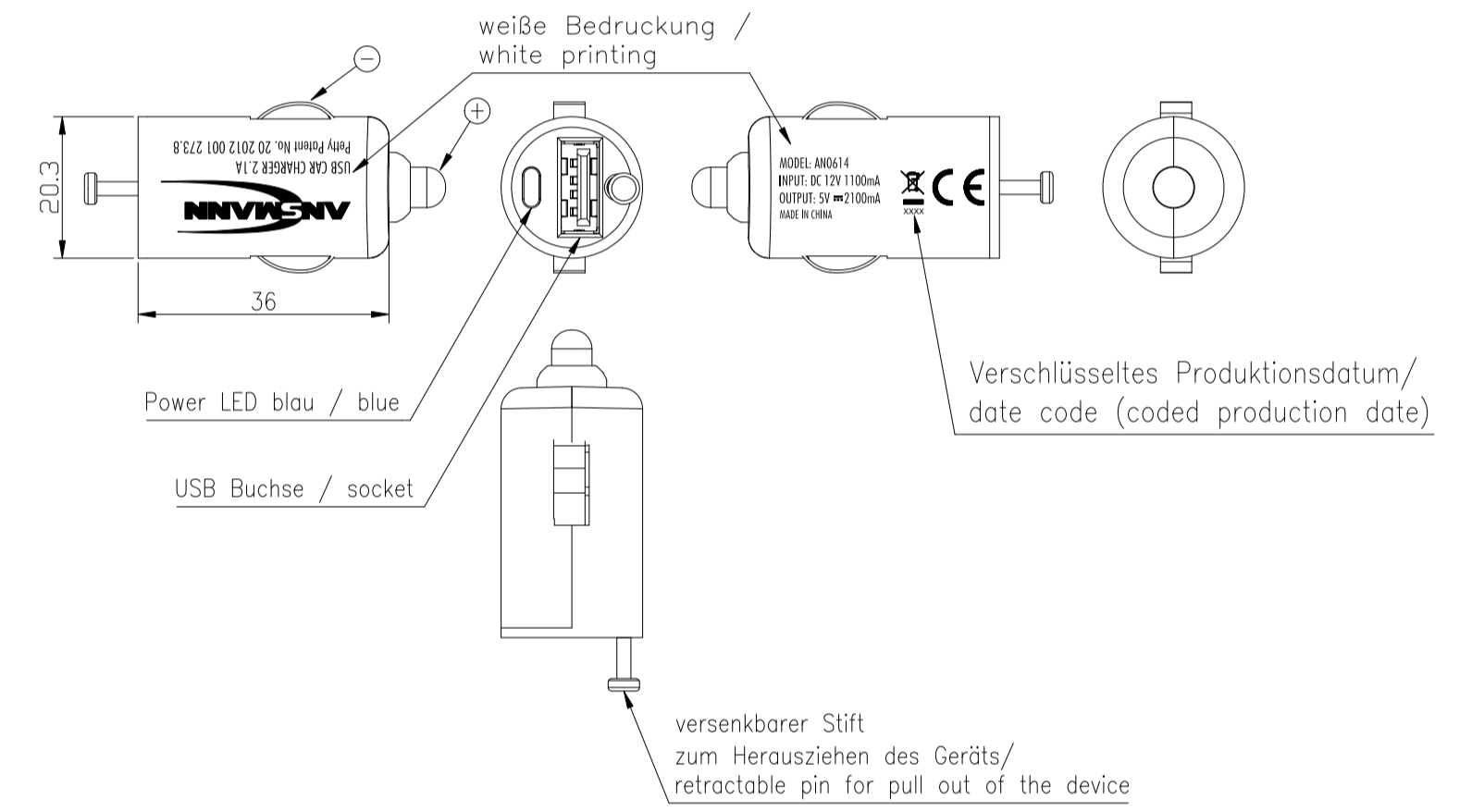
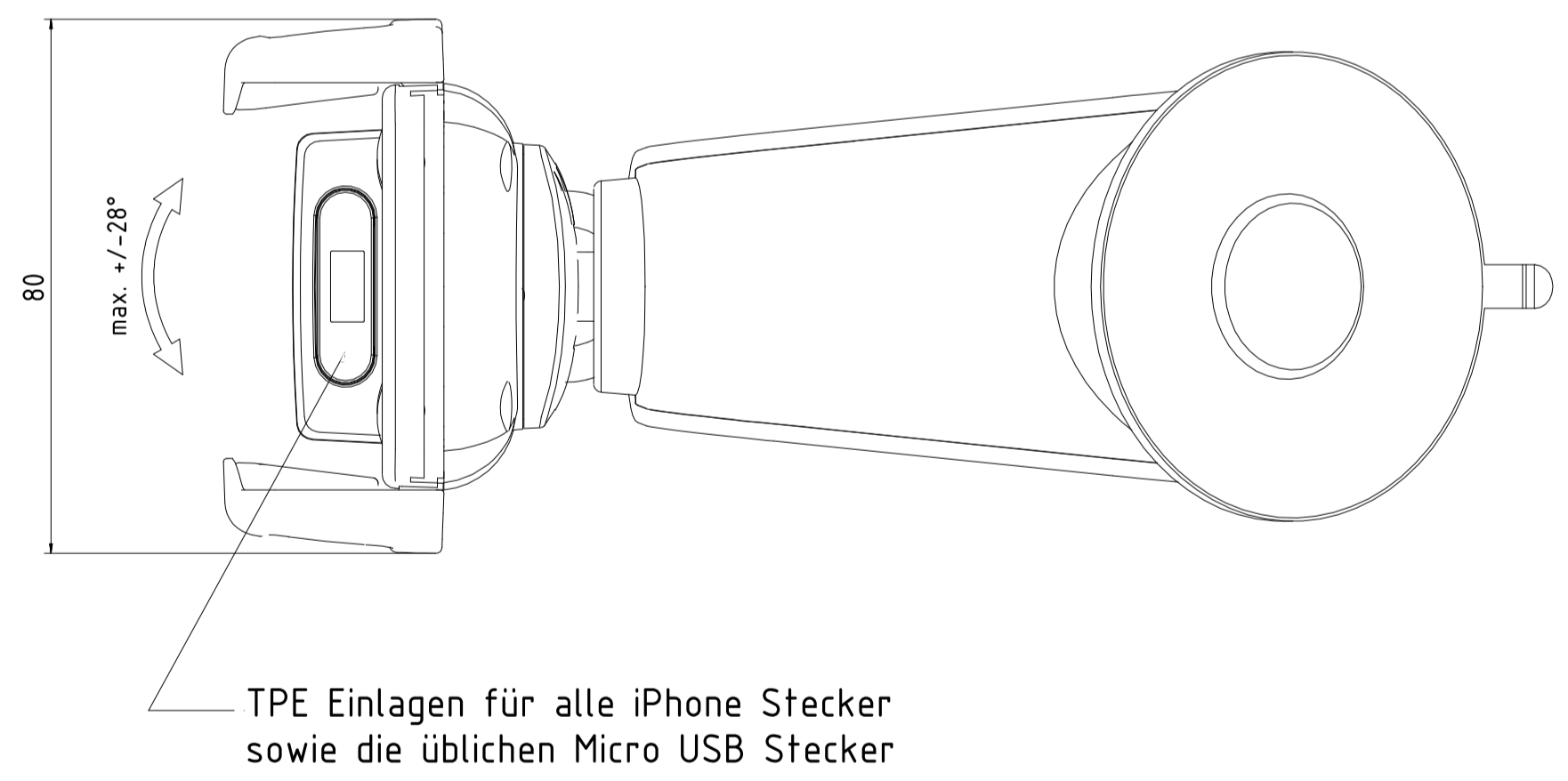
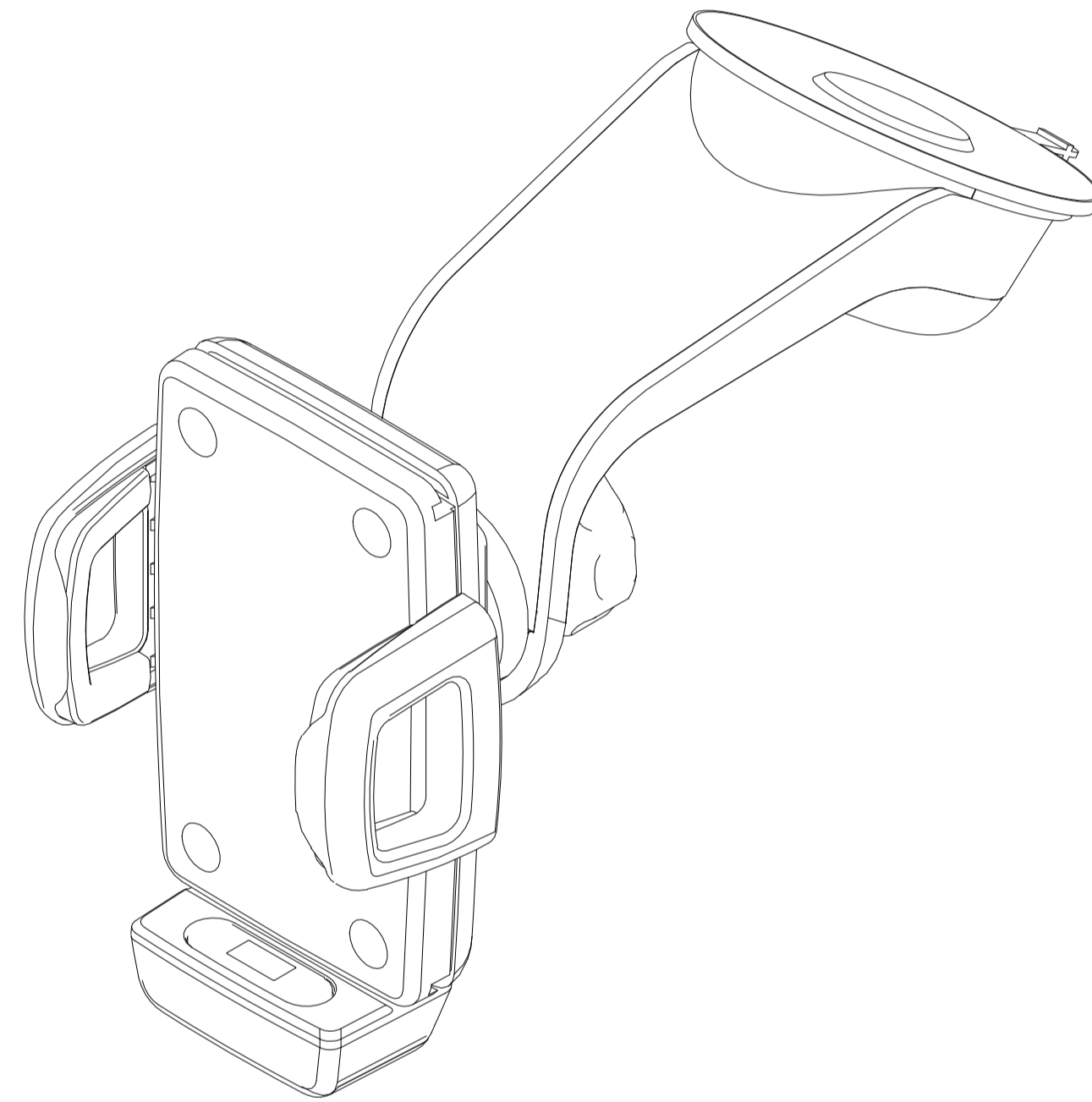
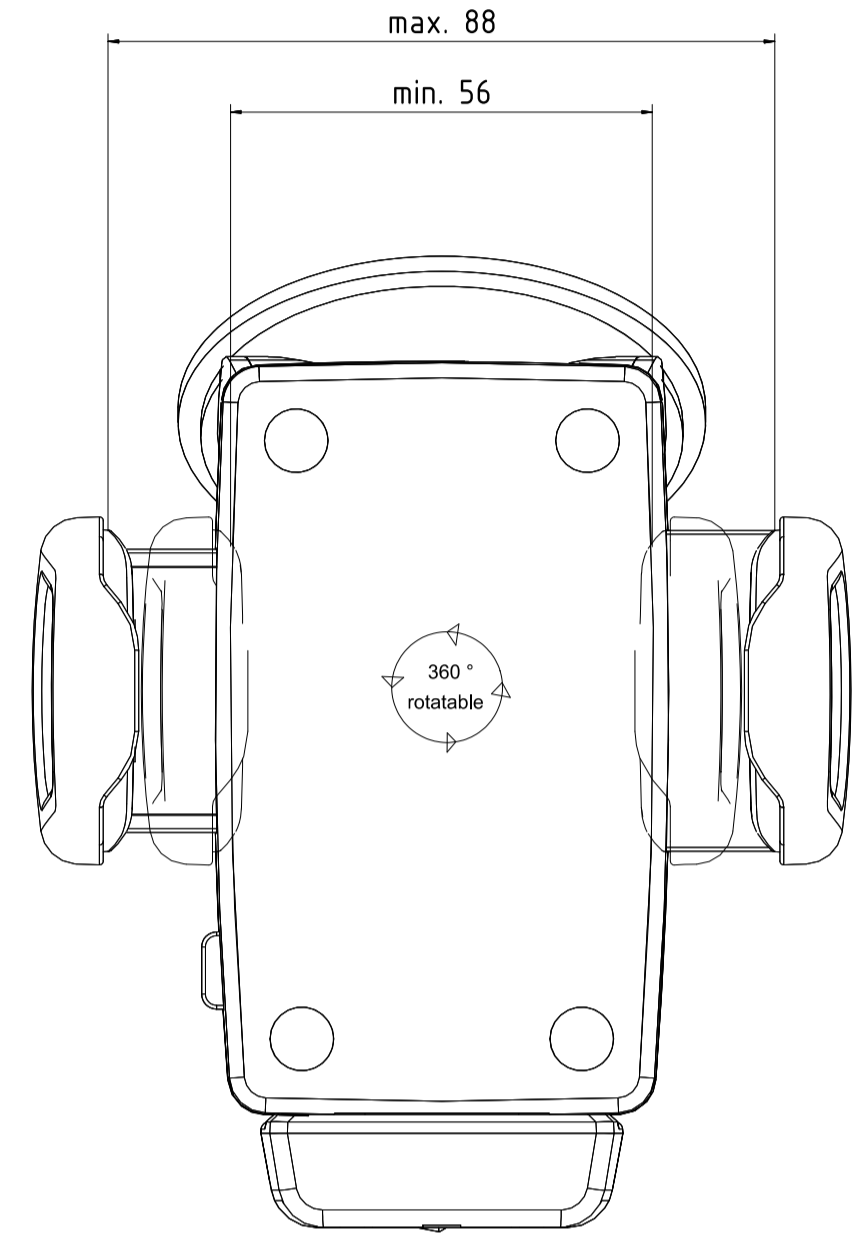
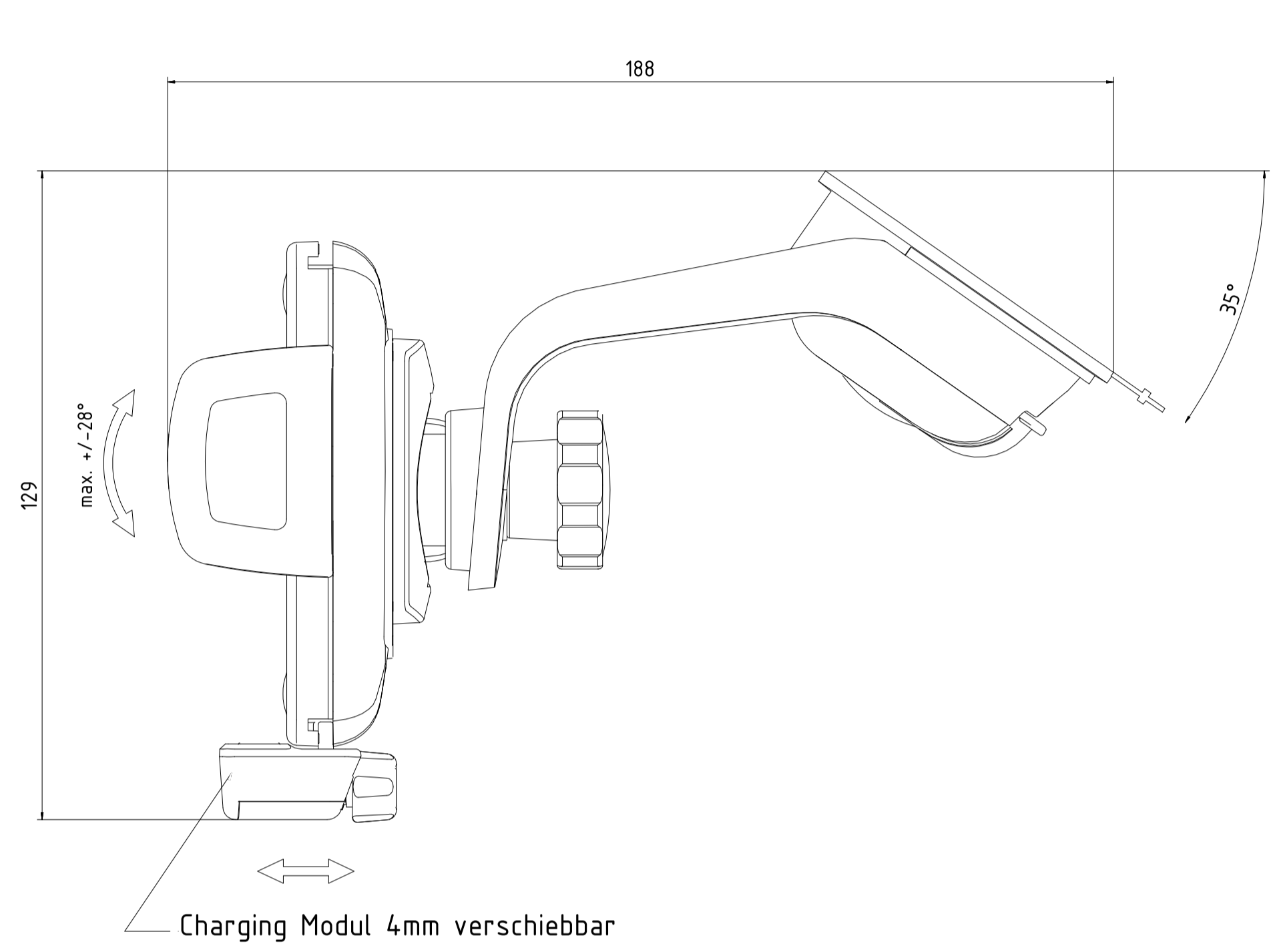


The supplier acknowledges that, with the exception of the drawing, he is not responsible for manufacturing the described part in accordance with the drawing, if the manufacturer has not been informed of the drawing. The manufacturer is responsible for the drawing. The manufacturer is not responsible for the drawing. The manufacturer is not responsible for the drawing. The manufacturer is not responsible for the drawing.

This drawing may not be copied, reproduced or made available to third parties, in any way whatsoever, without the prior written approval.



Technische Daten/
technical data

Eingangsdaten/ input data	: 12V DC max. 1100mA
Ausgangsdaten/ output data	: 5.0V ±5% DC 2100mA
Anzeige/ indicator	: LED blau/blue (Power)
Approbation/ approval	: CE
Gehäuse/ case	: Steckergehäuse mit KFZ-Stecker/ plug-in case with car lighter plug
Betriebstemperatur/ operating temperature	: 0°C.....+25°C
Lagertemperatur/ storage temperature	: -25°C.....+70°C
Gewicht/ weight	: 10g
Verpackung/ package	: Blister/ folding blister

Application range for inquiry xxx/xx	Allowable deviation general tolerances	Surface	Model:	Weight
	DIN ISO 2768-m		Scale (DIN A1):	1
	2014 Date	Name	Projection method	
	Drawn by 24.06.	CB	hr-holder+car-charger+ext-cable	
	Changed by			
			Drawing number	Sheet
			Part number	1/1
VO ---	24.06.14	CB	ANSMANN	1700-0030
Version	Change	Date	Name/Origin	Proj. xxx-xxxx-xxxxx
			Replaced by	Replacement through