



Drypower

3.2V

1.1Ah

LiFePO₄

3.52Wh

IFR18650PC

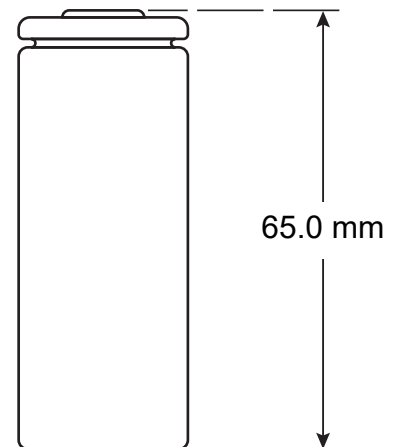
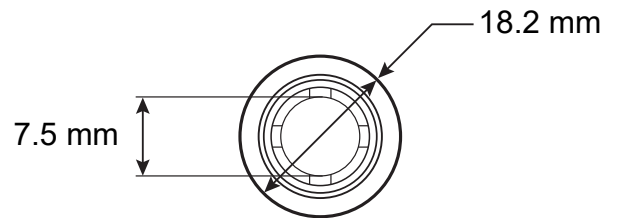
Rechargeable Lithium Iron Phosphate Battery

SPECIFICATIONS

Nominal Voltage	3.2V
Minimal Capacity	1100mAh
Nominal Capacity	1150mAh
Watt-hour	3.52Wh
Cycle Life (Capacity ≥80%)	≥2000 cycles
Charge Current	
Standard	1100mA (1C)
Max	5500mA (5C)
Charge Cut-off Voltage	3.65±0.05V
Discharge Cut-off Voltage	2.0V
Discharge Current	
Max continuous	22000mA (20C)
Internal Resistance	≤15mΩ
Operating Temperature	
Charge	-10°C ~ +45°C
Discharge	-20°C ~ +60°C
Dimensions	
Diameter (D)	18.2±0.2mm
Button Diameter (d)	7.5±0.3mm
Height (H)	65.0±0.3mm
Weight	38.0±1.0g



DIMENSIONS



Performance may vary depending on application. All specifications are correct at time of creation. All specifications and operation conditions contained in this datasheet are subject to change or improvement without prior notice to the user. This data is for evaluation purposes only. No guarantee is intended or implied by this data. For clarification and updated information, please contact us • Apr2012