

***NCA103450 (Typ.2.35Ah)***

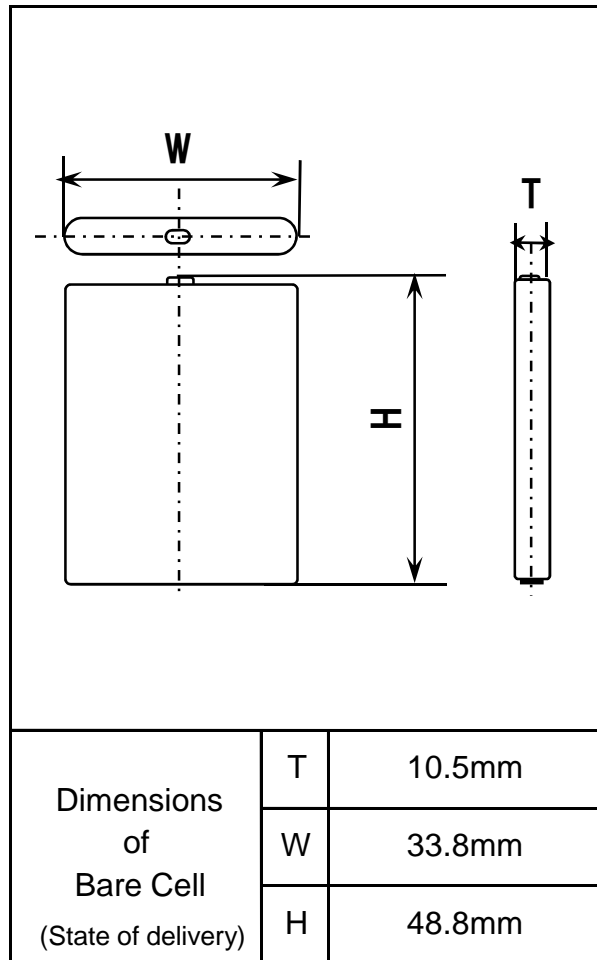
# Capacity up of 103450 size cell

	<b>UF103450P</b>		<b>NCA103450</b>
<b>Capacity (Typ.)</b>	2.0Ah / 7.4Wh	<b>15% up</b>	<b>2.35Ah / 8.5Wh</b>
<b>Charge voltage</b>	4.20V		4.20V
<b>Discharge voltage</b>	3.00V		2.75V
<b>Weight(Max.)</b>	38.5g		<b>38.4g</b>
<b>Cathode</b>	LCO	<b>Panasonic Technology</b>	<b>NNP (LiNiCoAlO<sub>2</sub>)</b>
<b>Anode</b>	Graphite		Graphite
<b>Functional layer</b>	None	<b>Panasonic Technology</b>	<b>on Separator</b>

# Specification of NCA103450

Cell Type NCA103450(Typ.2350mAh)

## Specifications



Rated Capacity	*at 20deg.C	Min.2200mAh
Nominal Capacity	*at 25deg.C	Min.2270mAh
		Typ.2350mAh
Nominal Voltage		3.6V
Charging Method		Constant Current -Constant Voltage
Charging Voltage		4.20V
Charging Current		Std. 1589mA
Charging Time		3.0hrs.
Ambient Temperature	Charge	0~+45°C
	Discharge	-20~+60°C
	Storage	-20~+60°C
Weight (Approx.)		38.4g
Dimensions (Max.)	(T)*	10.50mm
	(W)	33.80mm
	(H)	48.80mm
Volumetric Energy Density		457Wh/l
Gravimetric Energy Density		206Wh/kg

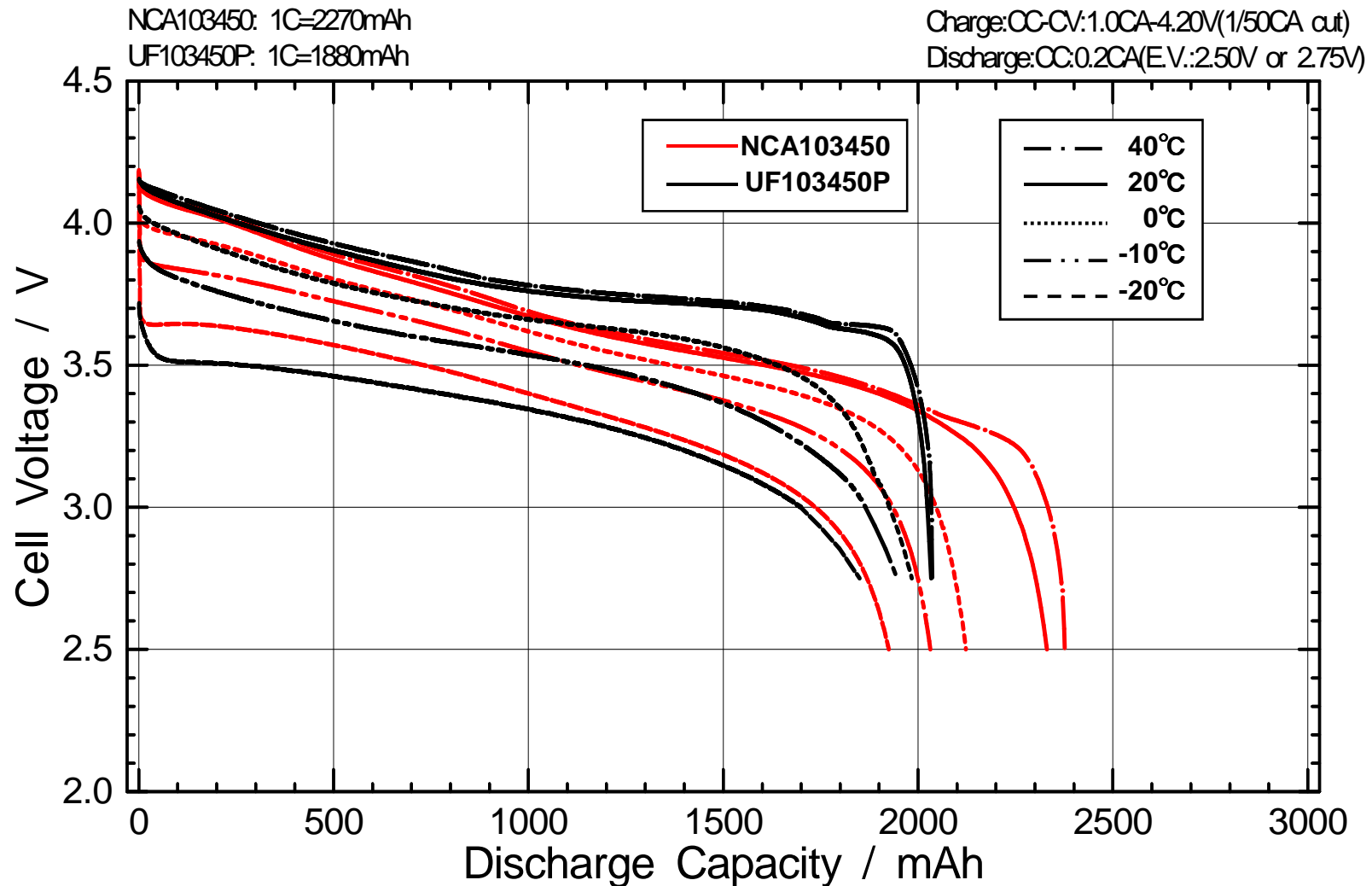
\*The maximum thickness of the standard shipment charging condition

## Specification comparison between NCA103450 and UF103450P

		NCA103450	UF103450P
Cathode Material		LiNiO <sub>2</sub>	LiCoO <sub>2</sub>
Rated Capacity (at 20 deg.C)		Min.2200mAh	Min.1880mAh
Nominal Capacity (at 25 deg.C)		Typ.2350mAh	Typ.2000mAh
		Min.2270mAh	Min.1880mAh
Nominal Voltage		3.6V	3.7V
Charging Method		Constant Current -Constant Voltage	Constant Current -Constant Voltage
Charging Voltage		4.20V	4.20V
Charging Current		Std. 1589mA	Std. 1880mA
Charging Time		3.0hrs.	3.0hrs.
Discharge cut-off voltage		2.75V	2.75V
Ambient Temperature	Charge	0~+40°C	0~+40°C
	Discharge	-20~+60°C	-20~+60°C
	Storage	-20~+50°C	-20~+50°C
Weight (Max.)		38.4g	38.5g
Dimensions (Max.)	(T)*	10.50mm	10.50mm
	(W)	33.80mm	33.80mm
	(H)	48.80mm	48.80mm
Volumetric Energy Density		457Wh/l	402Wh/l
Gravimetric Energy Density		206Wh/kg	181Wh/kg

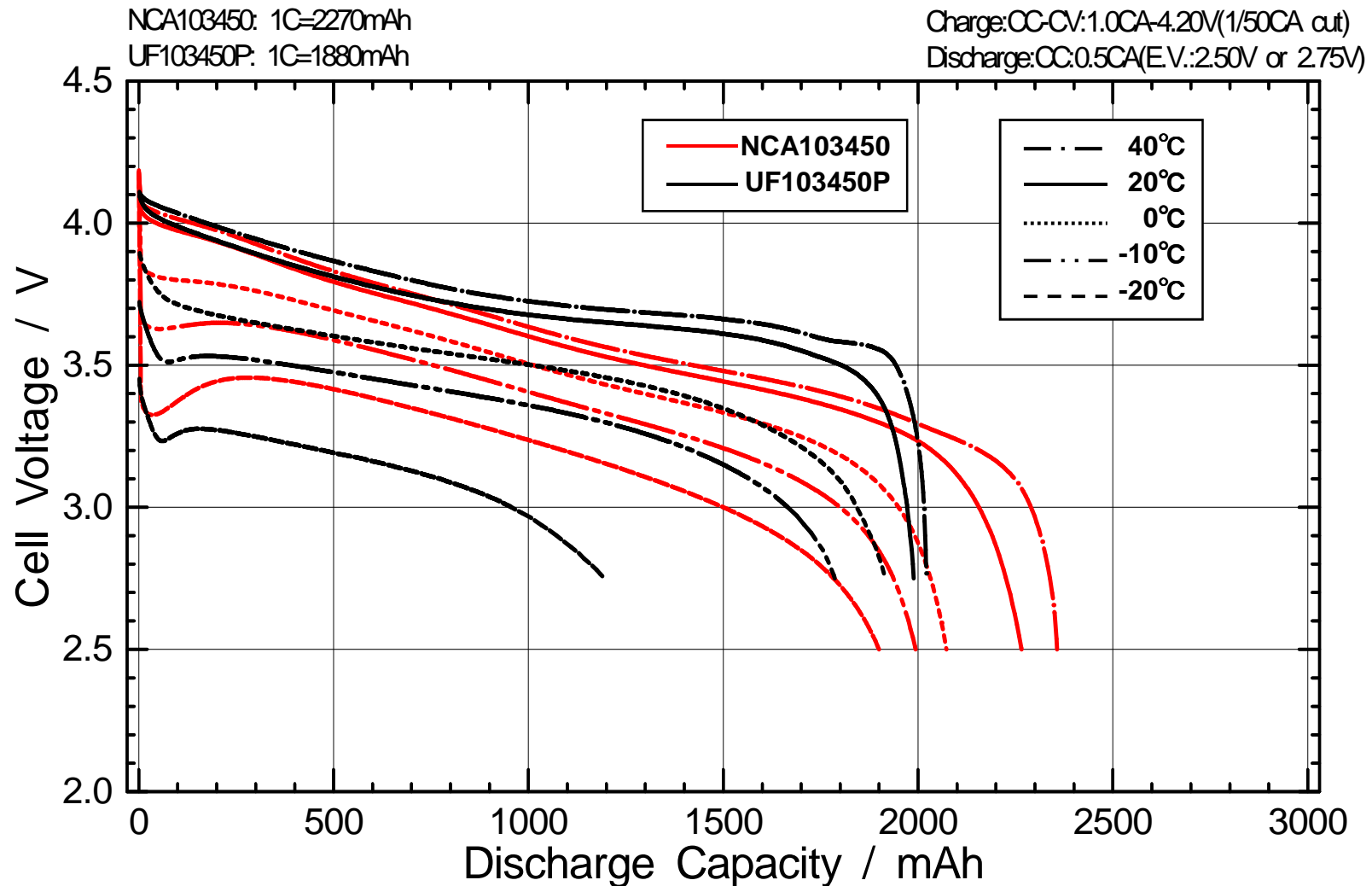
# Discharge characteristics of NCA103450 and UF103450P (0.2CA)

## Discharge Temp. Characteristics for NCA103450,UF103450P



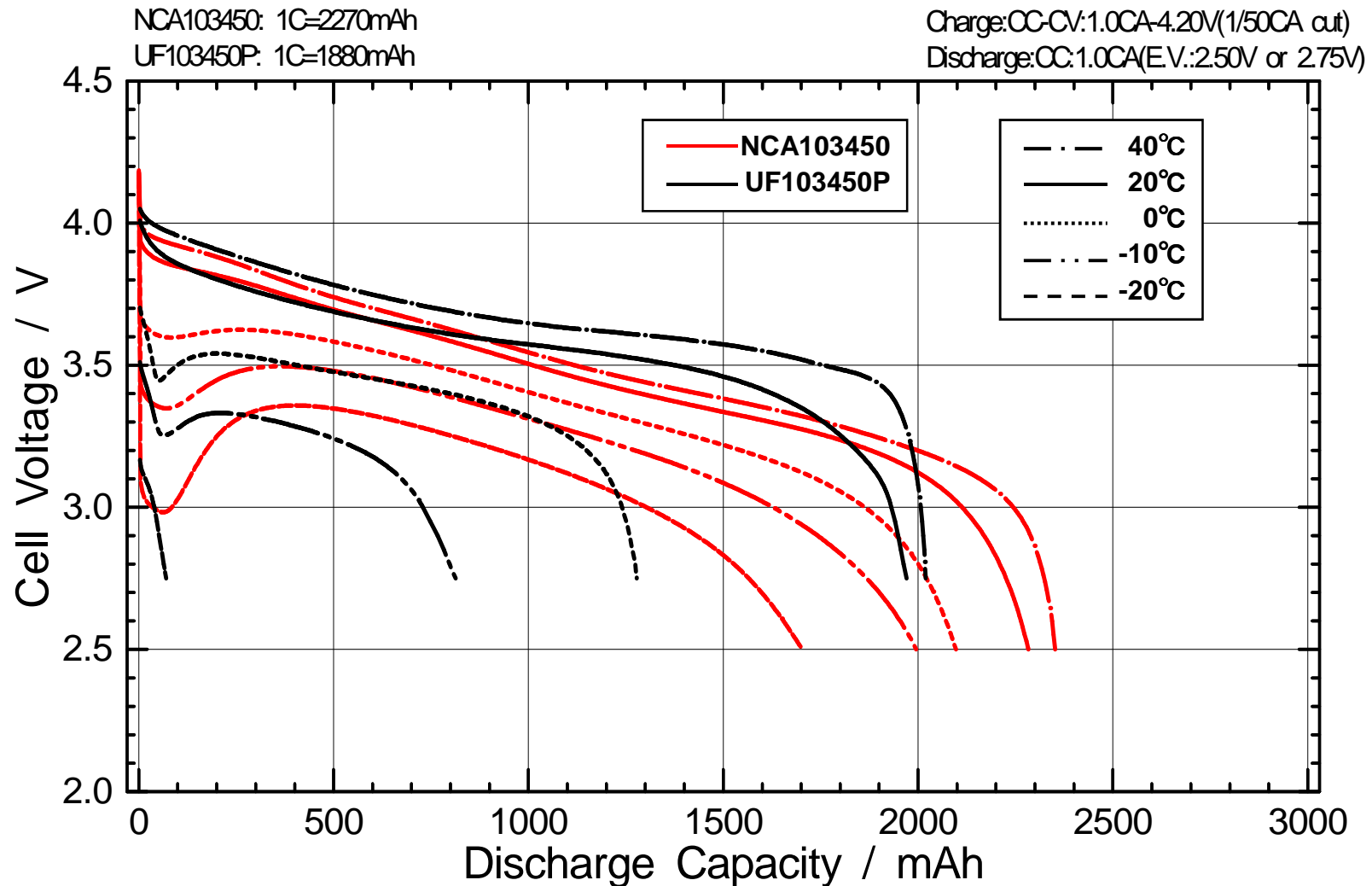
# Discharge characteristics of NCA103450 and UF103450P (0.5CA)

## Discharge Temp. Characteristics for NCA103450,UF103450P



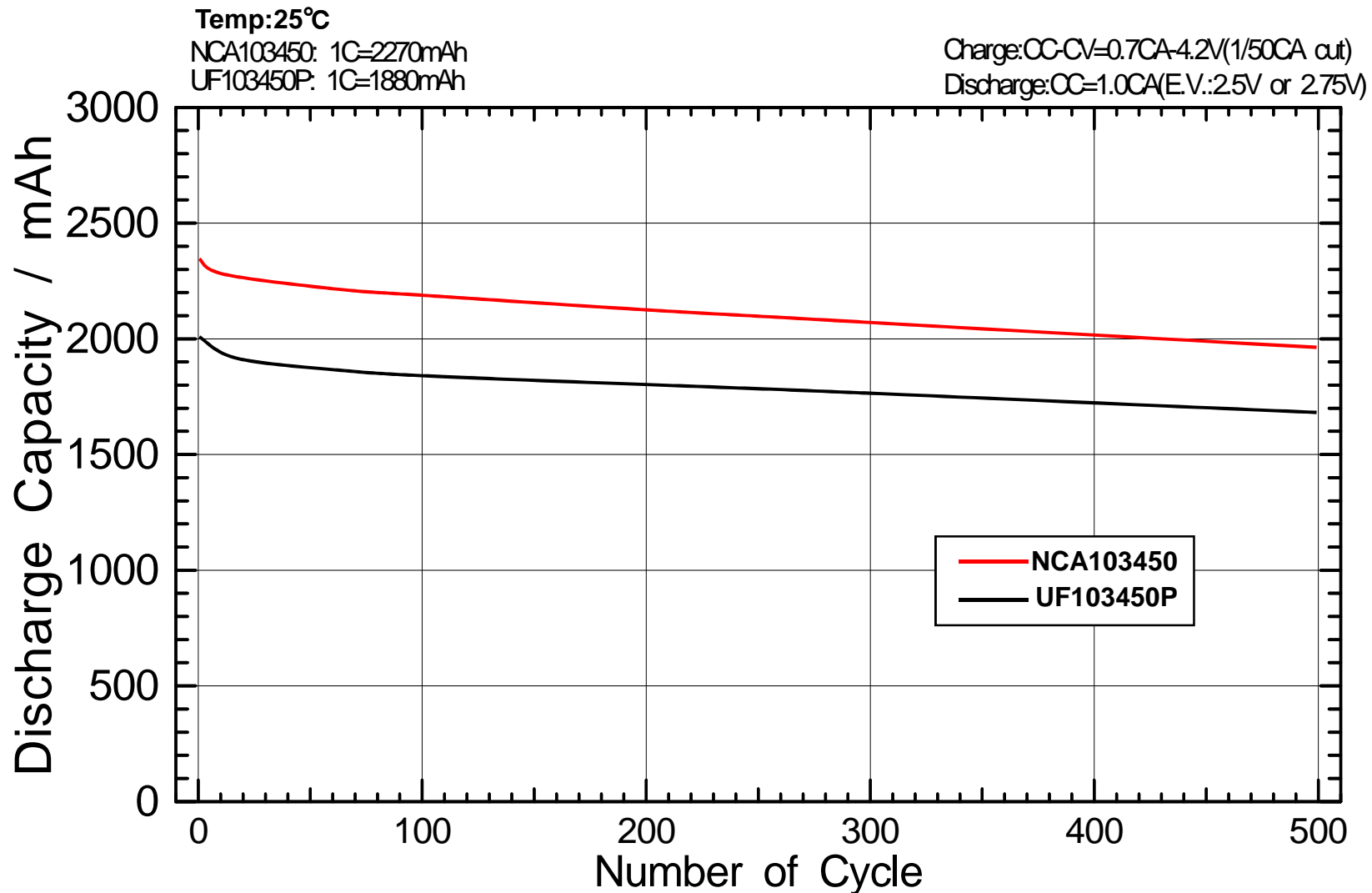
# Discharge characteristics of NCA103450 and UF103450P (1.0CA)

## Discharge Temp. Characteristics for NCA103450,UF103450P



## Cycle characteristics of NCA103450 and UF103450P

# Cycle Characteristics for NCA103450, UF103450P





# **Panasonic**

**ideas for life**