

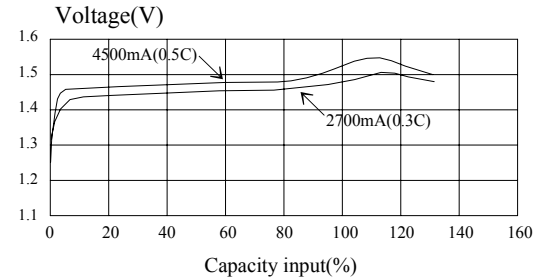


Cell Type SB-H9000D

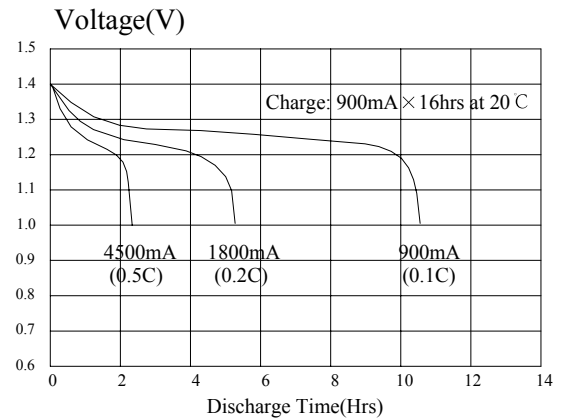
Specifications

Type	: Rechargeable Nickel Metal Hydride Cylindrical Cell
Nominal Dimension (with Sleeve)	: $\phi=32.5 \pm 0.5\text{mm}$: $H=60.5 \pm 0.5\text{mm}$
Applications	: Recommended discharge current 900 to 27000mA
Nominal Voltage	: 1.2V
Nominal Capacity	: 9000mAh when discharge at 1800mA to 1.0V/cell at 20°C
Typical Capacity	: 9450mAh
Charging Condition	: 900mA for 16 Hrs at 20°C
Fast Charge	: 2700mA to 4500mA(0.3C to 0.5C) with charge termination control recommended control parameters: - ΔV : 5-10mV dT/dt: 0.8 C/min(0.5C to 0.9C) : 0.8-1 C/min(1C) TCO : 45-50 C Time: 110% nominal input
Service Life	: >800 cycles(IEC -61436)
Continuous Overcharge	: 450mA maximum permissible current No conspicuous deformation and/or leakage
Weight	: 163g
Internal Resistance	: Average 8m Ω upon fully charged range 5-10m Ω at 1000Hz
Max. Charging Voltage	: 1.5V at 900mA charging
Ambient Temperature Range	: Standargd Charging : 0°C to 40°C Fast Charging : 10°C to 40°C Discharging : -20°C to 65°C Storage : -20°C to 35°C

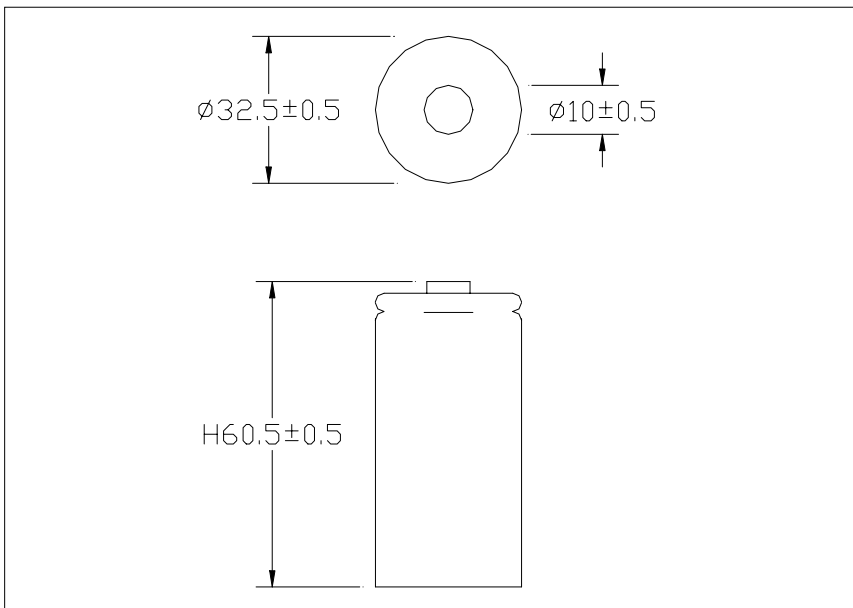
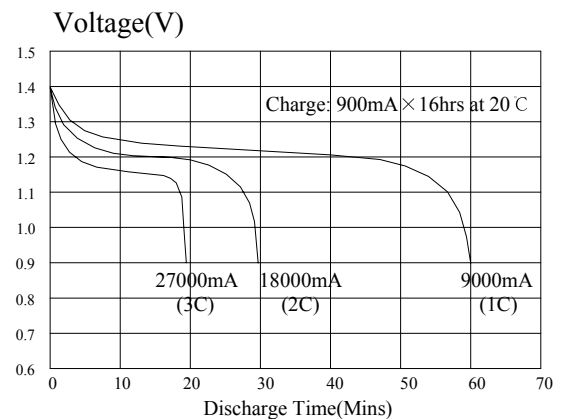
Fast Charge (Charge control required)



Low Rate Discharge



High Rate Discharge



The above information is generally descriptive only and is not intended as guarantee or warranty cell and battery specifications are subject to change without notice. All descriptions or warranties are contained solely in specification sheets accompanying formal offers.