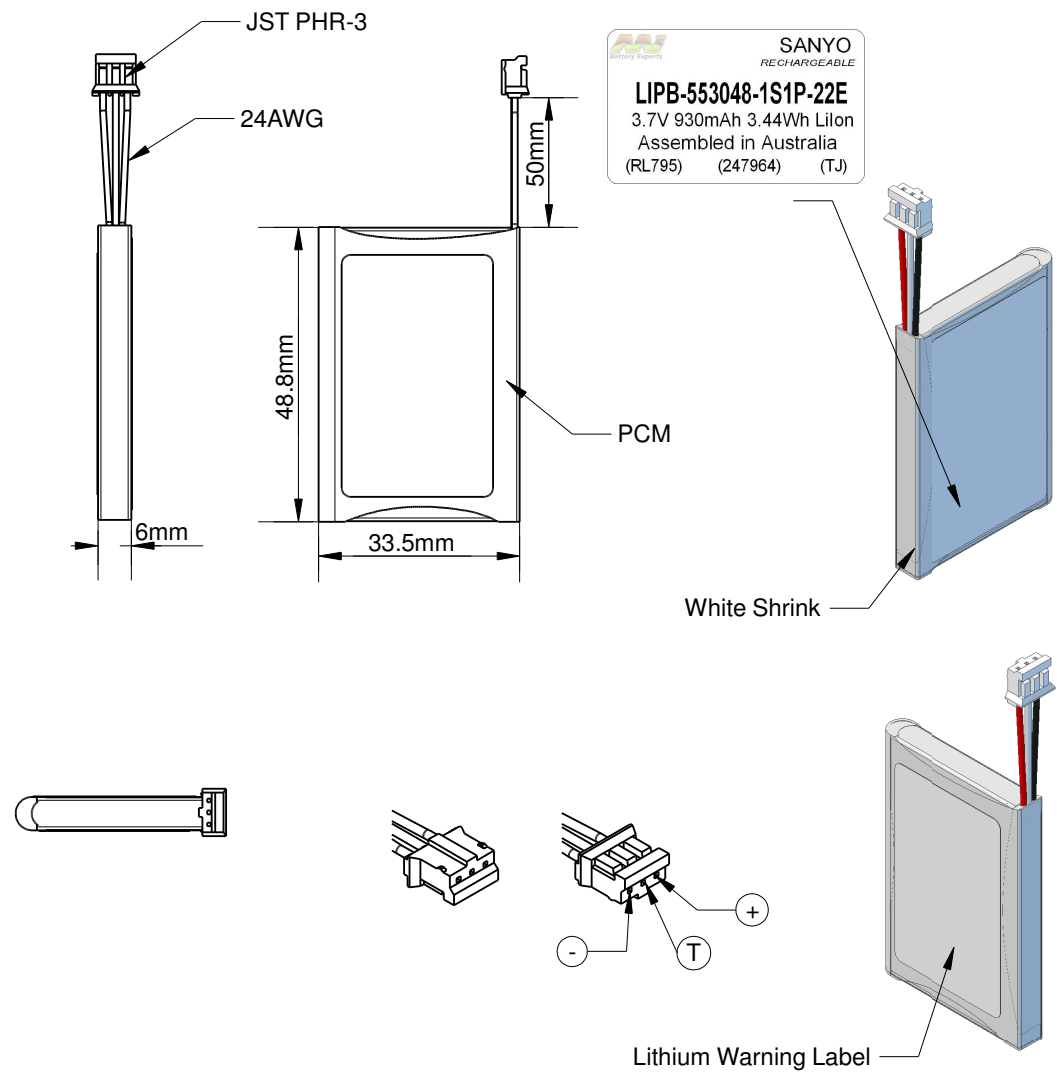


1 2 3 4 5 6

A
B
C
D



Technical Data

Safety Board (PCM)

PCM	MIPCM-1SXP4APTC
Over Charge Detection Voltage	4.275V ± 0.025V
Over Charge Release Voltage	4.175V ± 0.25V
Over Discharge Detection Voltage	2.3V ± 0.05V
Over Discharge Release Voltage	2.4V ± 0.05V
Over Current Detection Current	3A ± 1A
Max Discharge Current	4A
Short Circuit Protection	Charge and Discharge
Protection Circuit Resistance	30 - 60mΩ
PTC Resettable Fuse	MF-MSMF260 (Bourns)
Thermistor	10K Ω NTC Beta 3435k/ohm
Chemistry	Lilon
Configuration	1S1P
Voltage	3.7V
Capacity	930mAh
Energy	3.44Wh
Weight	20g
Rated Discharge	185mA (C/5)
Max Discharge Continuous	PCM: 4A
	Cell: 1.8A
Charge Rate	900mA
Operating Temperature Range	Charge: 0 - 40°C
	Discharge: -20 - 60°C
Charge Voltage	4.2V
Discharge End Voltage	2.75V
Connector	JST PHR-3
Suits Mating Connector	B3B-PH-K-S / S3B-PH-SM4-TB



This drawing and the designs so represented are the copyright property of Master Instruments Pty Ltd. The drawing shall not be copied, loaned or issued without the express written permission of a duly authorised representative of Master Instruments Pty Ltd.

PART NO	RL795	STOCK CODE	88003-054	RevNo	0
CELL TYPE	UF553048F	RECOMMENDED CHARGER	3P10-L1004 or FY042xxx	DATE	28/10/15
				PAGE	1 OF 1

1 2 3 4 5 6