

1

2

3

4

5

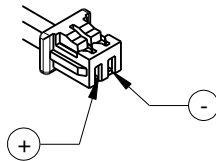
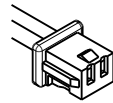
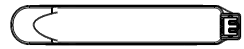
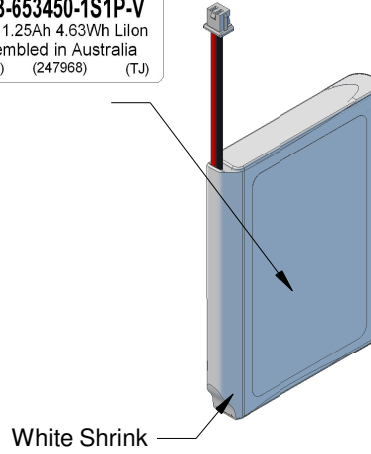
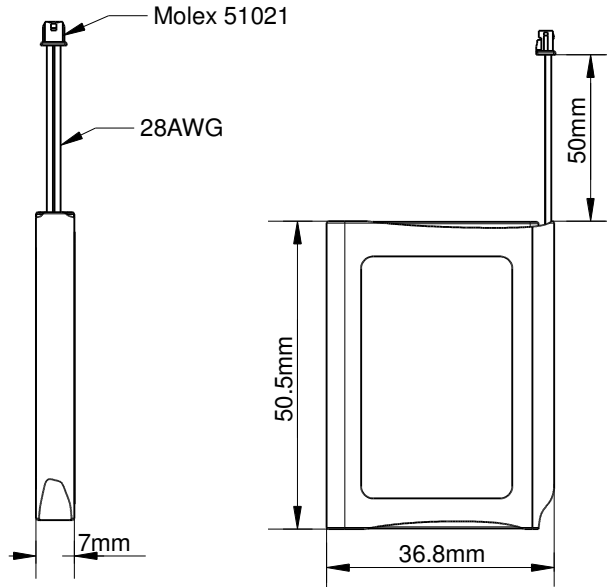
6

A

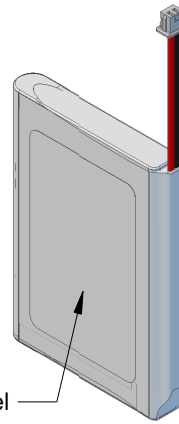
B

C

D



Lithium Warning Label

**Technical Data**

Safety Board (PCM)

PCM	MIPCM1SXP4APTC
Over Charge Detection Voltage	4.28V ± 0.025V
Over Charge Release Voltage	4.13V ± 0.05V
Over Discharge Detection Voltage	2.8V ± 0.05V
Over Discharge Release Voltage	3.1V ± 0.05V
Over Current Detection Current	3A ± 1A
Max Discharge Current	4A
Short Circuit Protection	Charge and Discharge
Protection Circuit Resistance	N/A
PTC Resettable Fuse	P260SLR
Thermistor	10K Ω NTC Beta 3435k/ohm
Chemistry	Lilon
Configuration	1S1P
Voltage	3.7V
Capacity	1.25Ah
Energy	4.63Wh
Weight	26g
Rated Discharge	1.1A
Max Discharge Continuous	PCM: 4A
	Cell: 2.2A
Charge Rate	1.2A
Operating Temperature Range	Charge: 0 - 40°C
	Discharge: -20 - 60°C
Charge Voltage	4.2V
Discharge End Voltage	3V
Connector	Molex 51021
Suits Mating Connector	Molex 53389 and 53261

**Master Instruments**

This drawing and the designs so represented are the copyright property of Master Instruments Pty Ltd. The drawing shall not be copied, loaned or issued without the express written permission of a duly authorised representative of Master Instruments Pty Ltd.

PART NO	RL800	STOCK CODE	88003-059	RevNo	0
CELL TYPE	UF653450S	RECOMMENDED CHARGER	FY0420500	DATE	12/01/16
				PAGE	1 OF 1

1

2

3

6