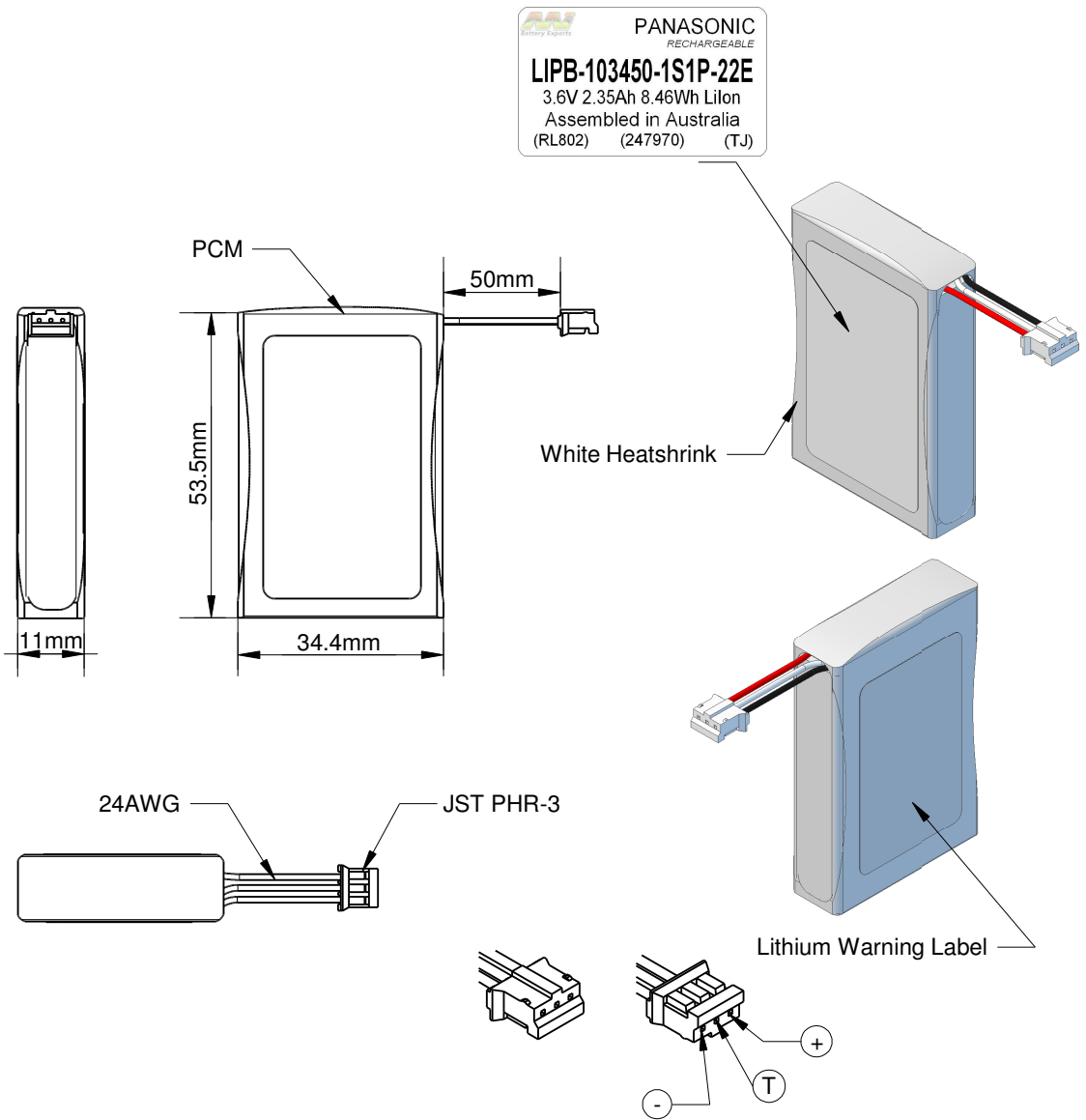


1 2 3 4 5 6

A  
B  
C  
D



This drawing and the designs so represented are the copyright property of Master Instruments Pty Ltd. The drawing shall not be copied, loaned or issued without the express written permission of a duly authorised representative of Master Instruments Pty Ltd.

**Technical Data**

Safety Board (PCM)

PCM	MIPCM-1SXP2.5AT10K
Over Charge Detection Voltage	4.325V ± 0.025V
Over Charge Release Voltage	4.075V ± 0.025V
Over Discharge Detection Voltage	2.5V ± 0.05V
Over Discharge Release Voltage	2.9V ± 0.05V
Over Current Detection Current	3.5A ± 0.5A
Max Discharge Current	2.5A
Short Circuit Protection	Exterior Short Circuit
Protection Circuit Resistance	≤50m Ω
PTC Resettable Fuse	Within Cell
Thermistor	10K Ω NTC Beta 3435k/ohm
Chemistry	Lilon
Configuration	1S1P
Voltage	3.6V
Capacity	2.35Ah
Energy	8.46Wh
Weight	42g
Rated Discharge	450mA (C/5)
Max Discharge Continuous	PCM: 2.5A
	Cell: 4.54A
Charge Rate	1.589A
Operating Temperature Range	Charge: 0 - 40°C
	Discharge: -20 - 60°C
Charge Voltage	4.2V
Discharge End Voltage	2.75V
Connector	JST PHR-3
Suits Mating Connector	B3B-PH-K-S / S3B-PH-SM4-TB

PART NO	RL802	STOCK CODE	88003-061	RevNo	0
CELL TYPE	NCA103450	RECOMMENDED CHARGER	3P10-L1004 or FY042xxx	DATE	22/10/15
				PAGE	1 OF 1

1 2 3 4 5 6