

Configuration ANSMANN Version

- Push button for one hand operation
  - 1 x push: HALOGEN "ON"
  - 2 x push: LUXEON "ON"
  - 3 x push: LUXEON "BLINKING" (~1Hz)
  - 4 x push: all lamps "OFF"
- With HALOGEN lamp 6.5V 5W is the flash duration approx. 5h (main lamp)
- With LUXEON LED 1W is the flash duration approx. 20h (economy lamp)
- Filament breaks monitoring of the main lamp automatic switch over to economy lamp in the case of filament break

- Microprocessor-controlled technology for charge and discharge with battery capacity indication by means of five LEDs
- High protection IP 65
- High stability of the portable lamp
- Integrated pocket for insertable lenses e.g. diffuser
- Wall adapter for parking the portable lamp
- For 12V...24V and 100-240V~ power supply
- Emergency light functions of the parked portable lamp. i.e. the portable lamp light in the event of mains failure

Technical data

Battery charge/discharge is indicated via five LEDs

Battery capacity	LED lights	indication	notes
>75%	green (3 LED)	□□■□□	
>50%	green (2 LED)	□□■□□	
>25%	green (1 LED)	□□■□□	
<25%	yellow (1 LED)	■□□□□	charging required
<10%	red (1 LED)	■□□□□	charging urgently required

Deep discharge protection : when the battery voltage is low (~5,3V, red LED-indication) automatic switching over from main lamp to economy lamp; residual lighted: >1h

Battery : Lead-acid, maintenance free, 6V 4.5Ah

Chargerfunktion : integrated into the lamp charging starts when lamp insert into the charger unit; voltage and charging current indication via LED's

Charging end voltage : at a regulated output voltage dropped over 7,2V the charger will be changed 6,9V for trickle charge LED yellow is charge, LED green battery is fully charged

Charging current : approx. 0,9A...1,3A

Charging time : approx. 3h...4,5h

Emergency light function : emergency light function with parked portable lamp -in case of mains failure portable lamps goes in function (main lamp)

operating temperature : -20° +50°C

storage temperature : -20° +50°C

Input voltage : 100-240V AC 50/60Hz for AC/AC plug in power supply and 12V/24V input into the wall adaptor

Mounting : for wall mounting incl. 4pcs panhead screws and 4pcs wall plugs

Safety class : II (all - insulated)

protection : lamp IP65 (EN 60529) / wall holder IP20

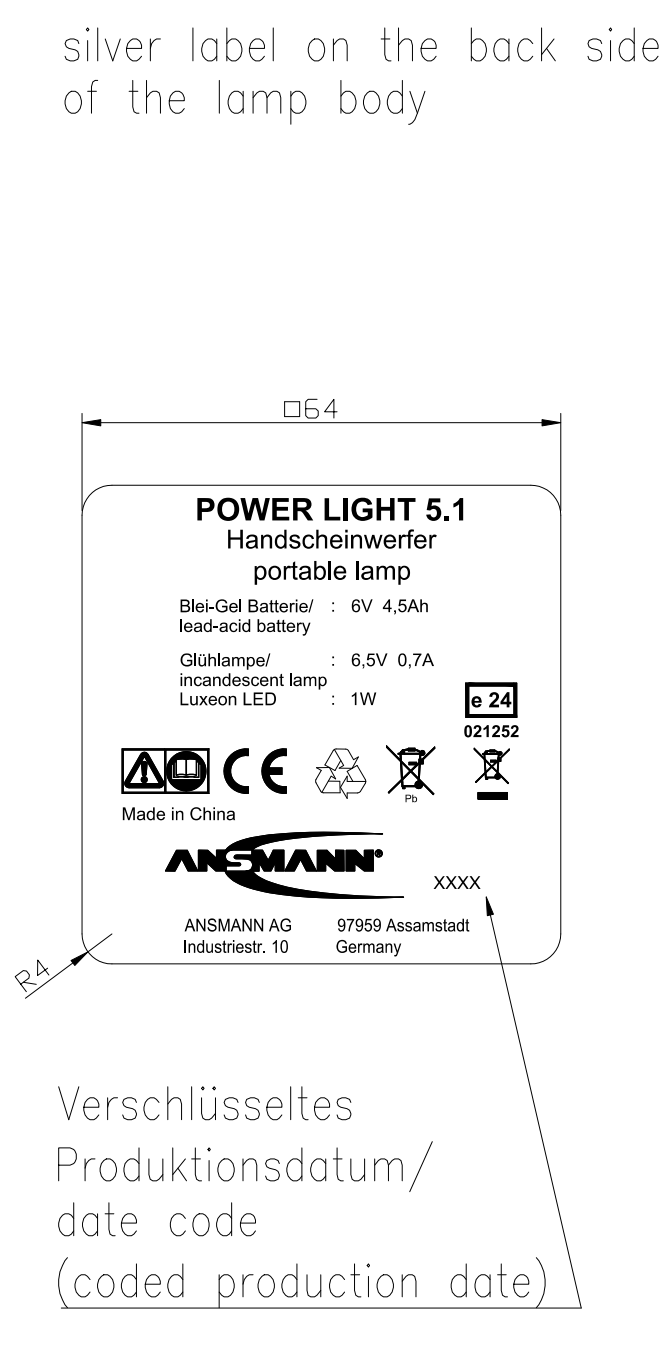
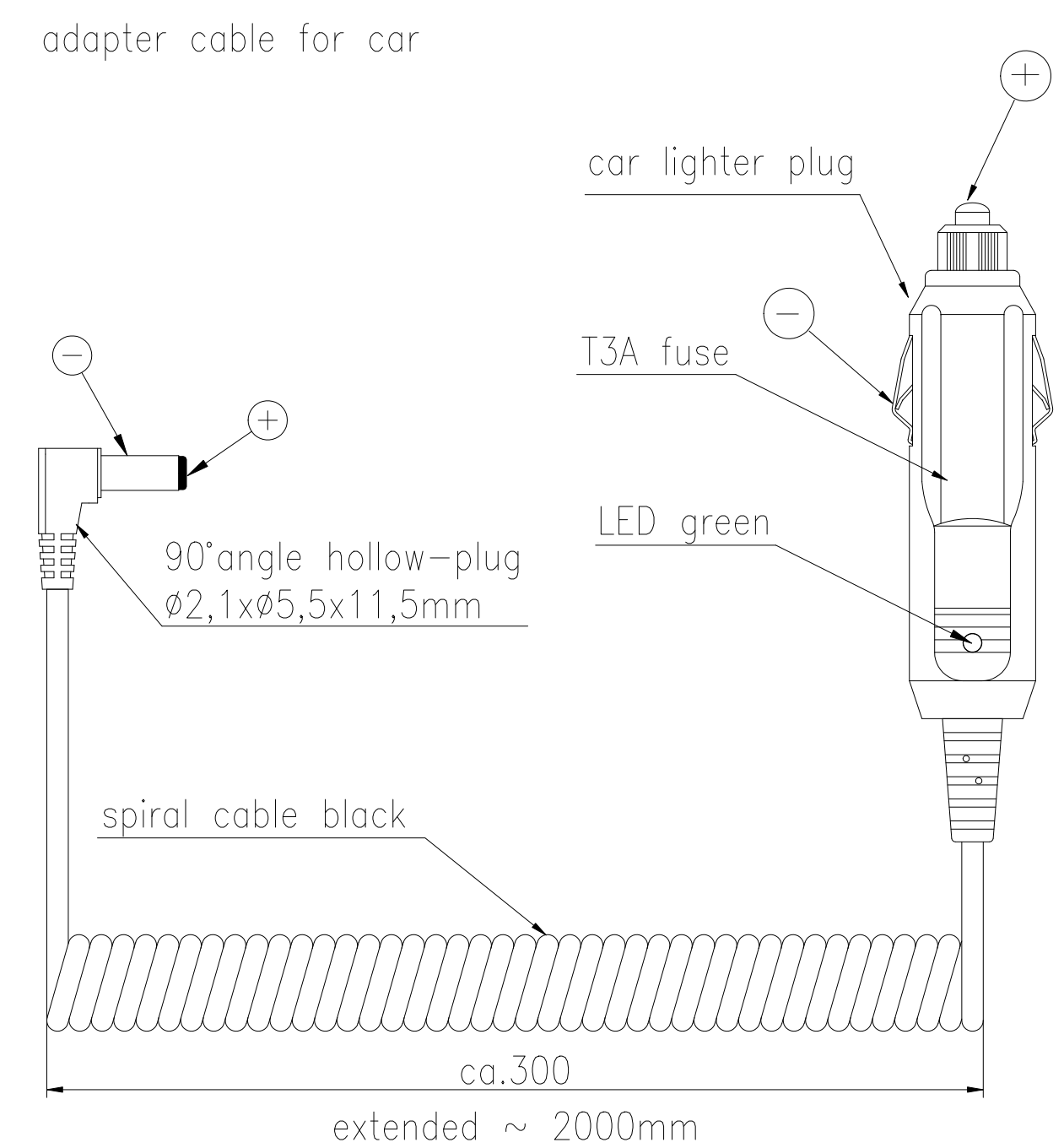
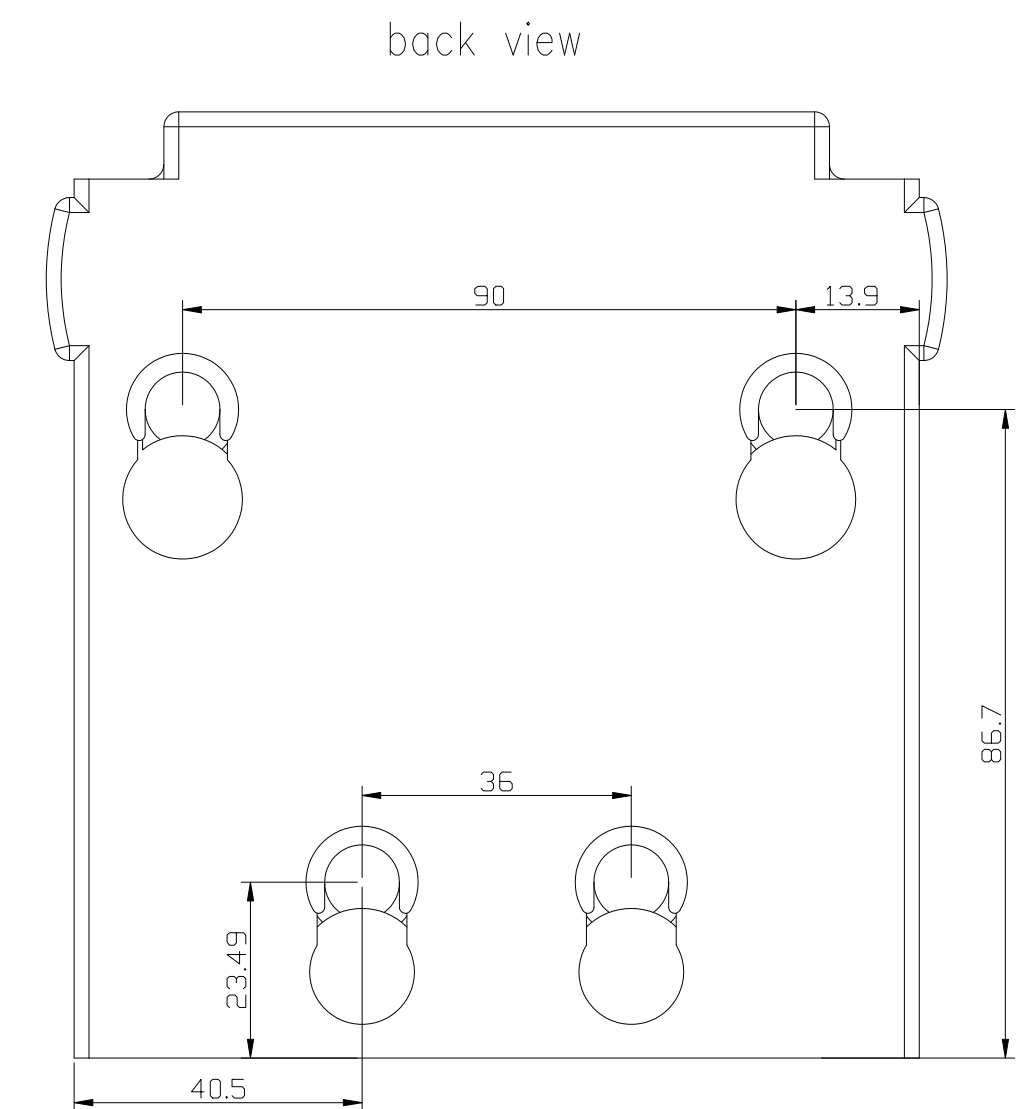
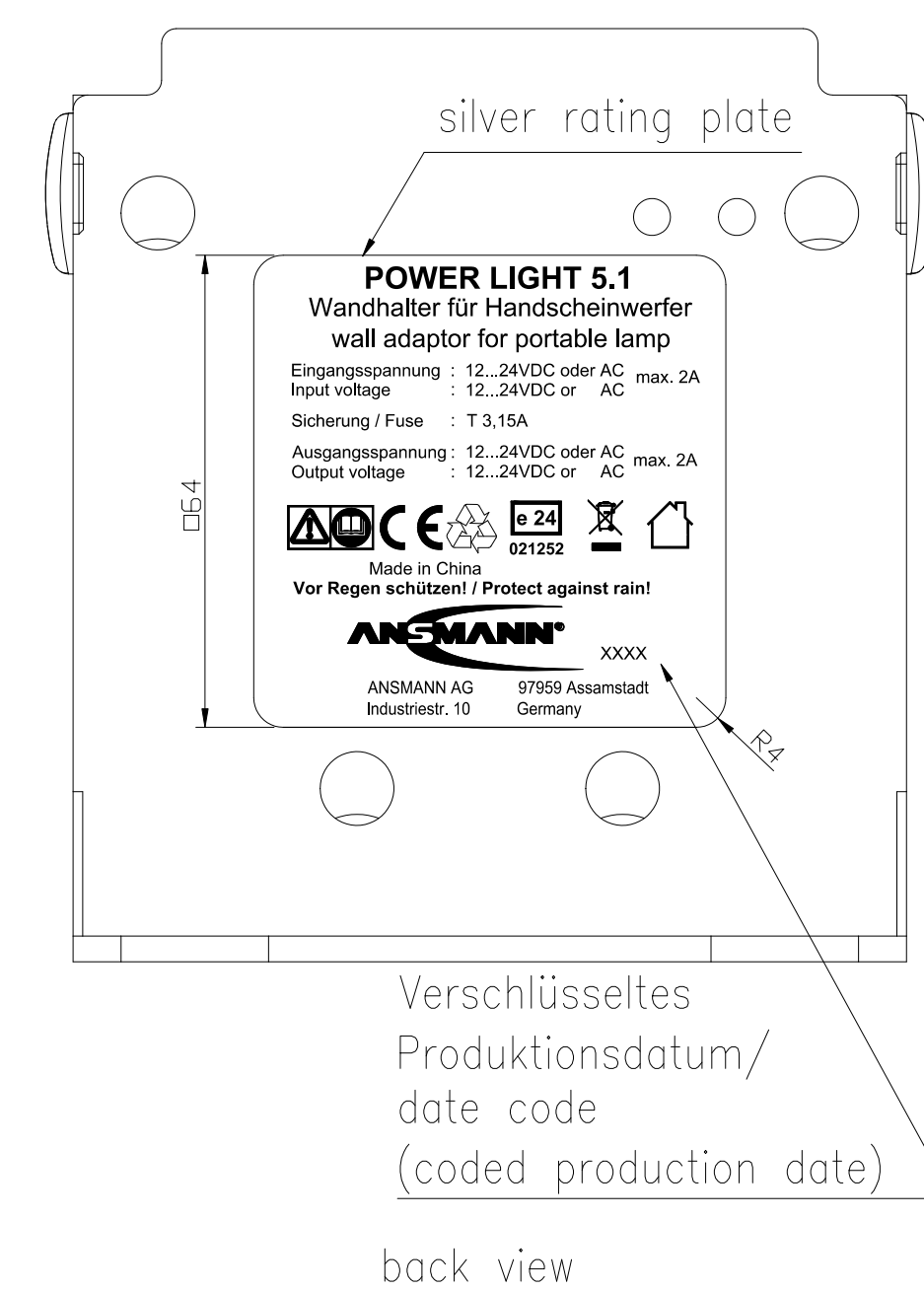
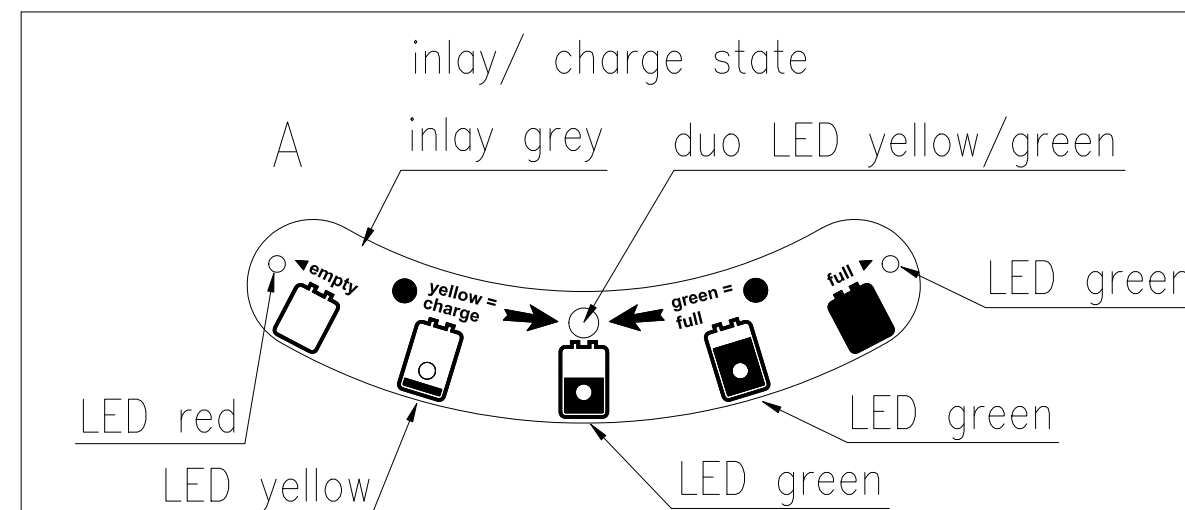
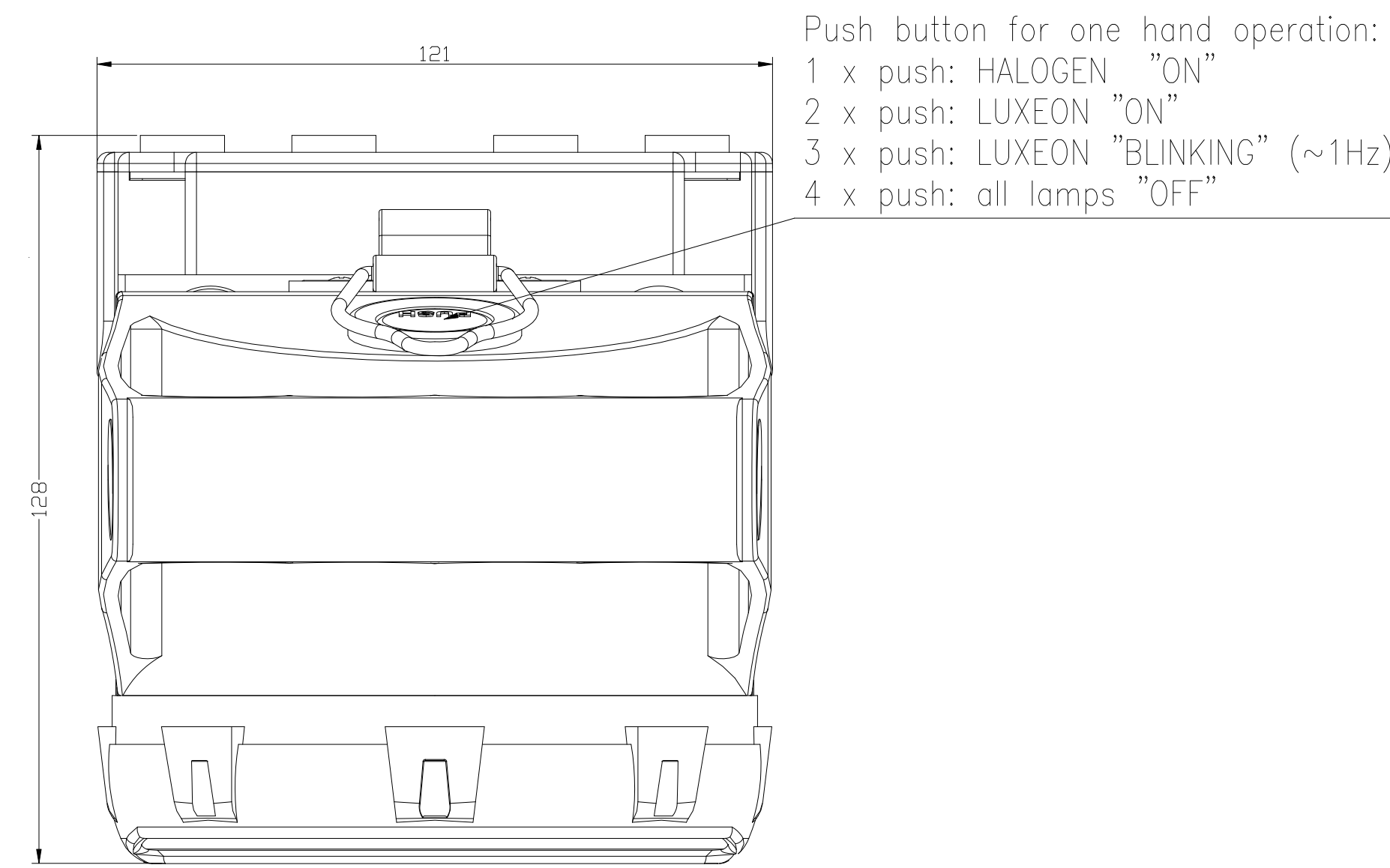
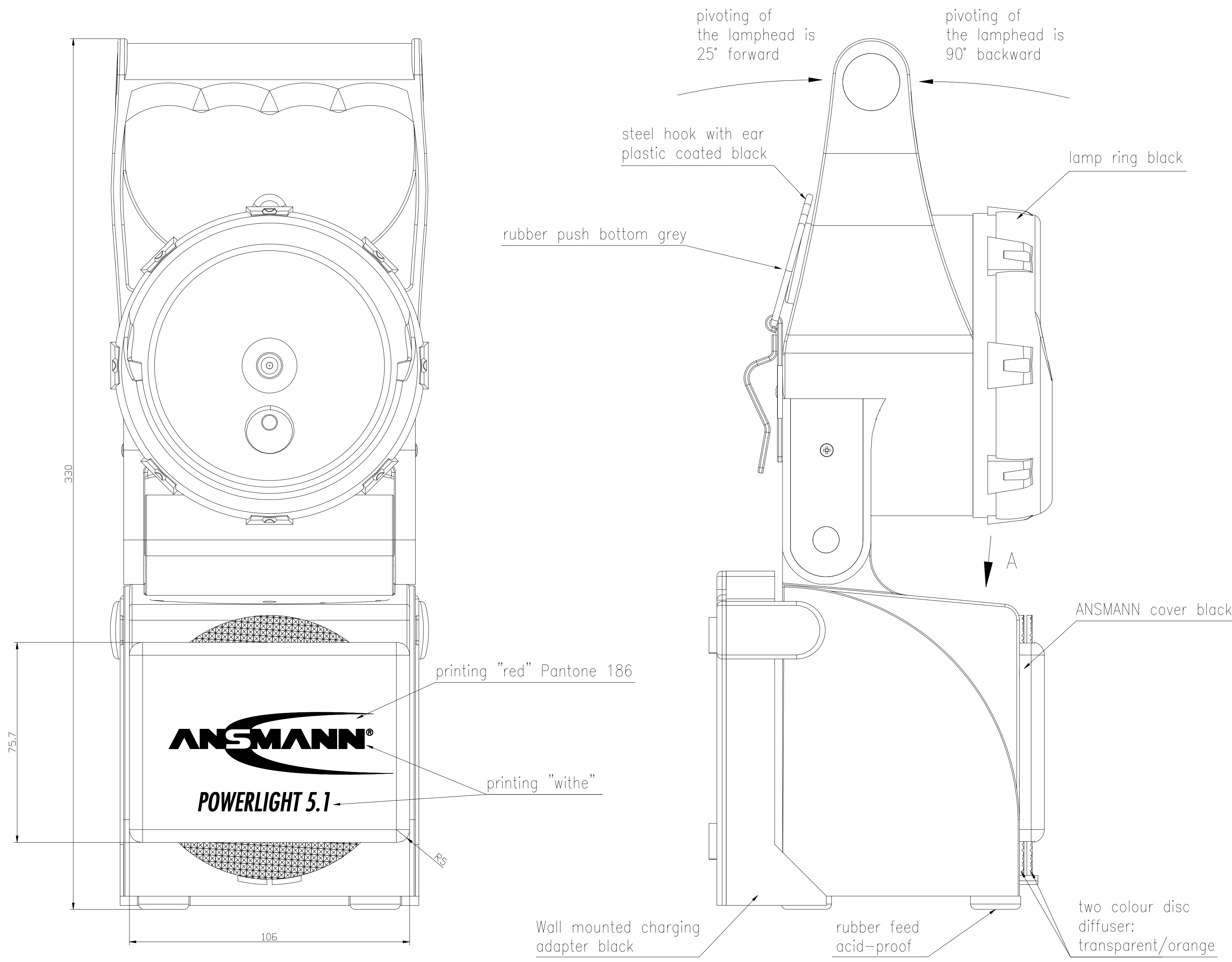
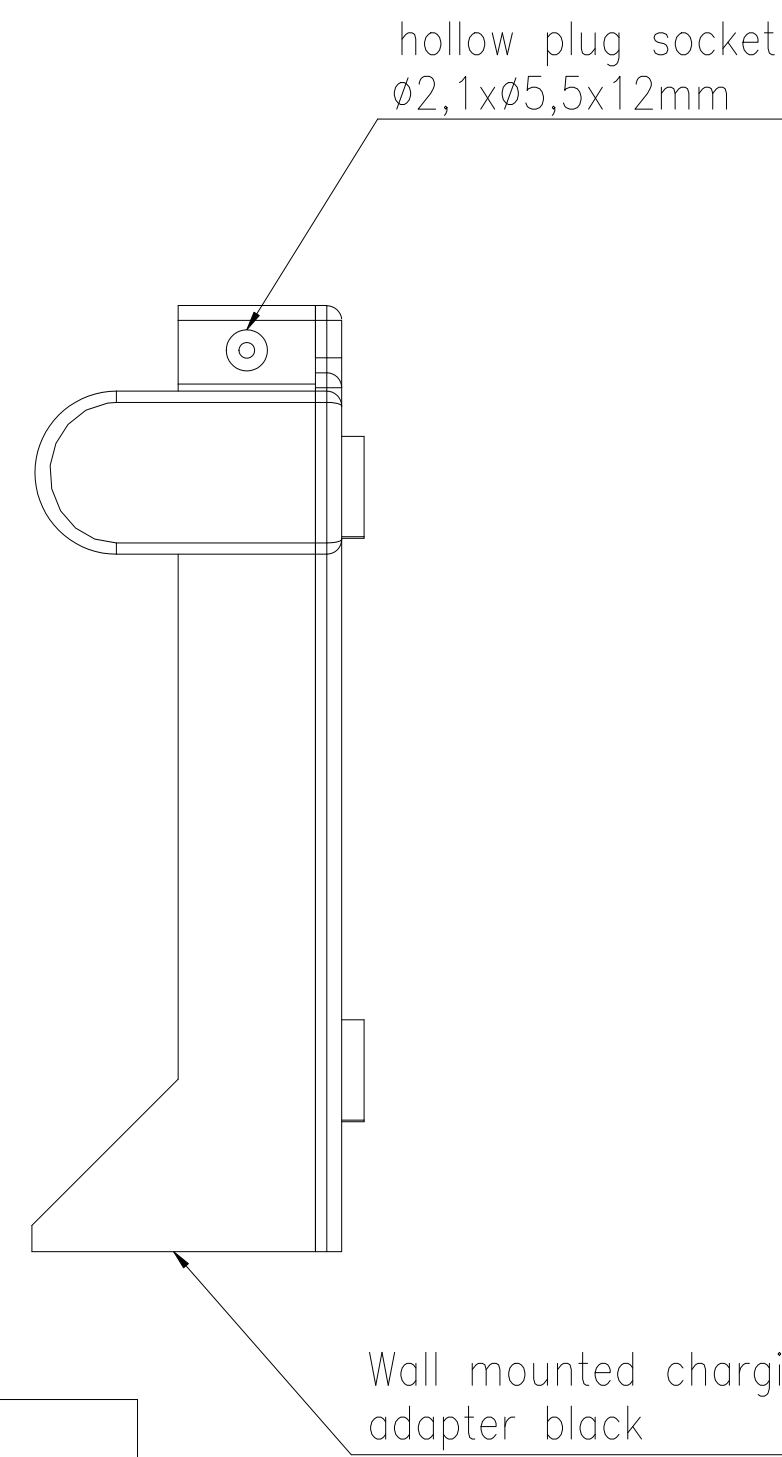
Approvals : emark, CE

Housing colour : black

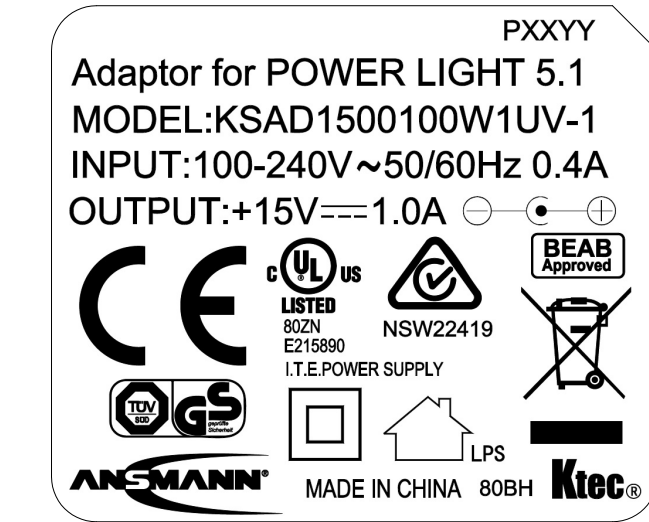
Weight : 2830g incl. accessories and package

Package : colour folding box dimensions 345x272x135mm(LxWxH)

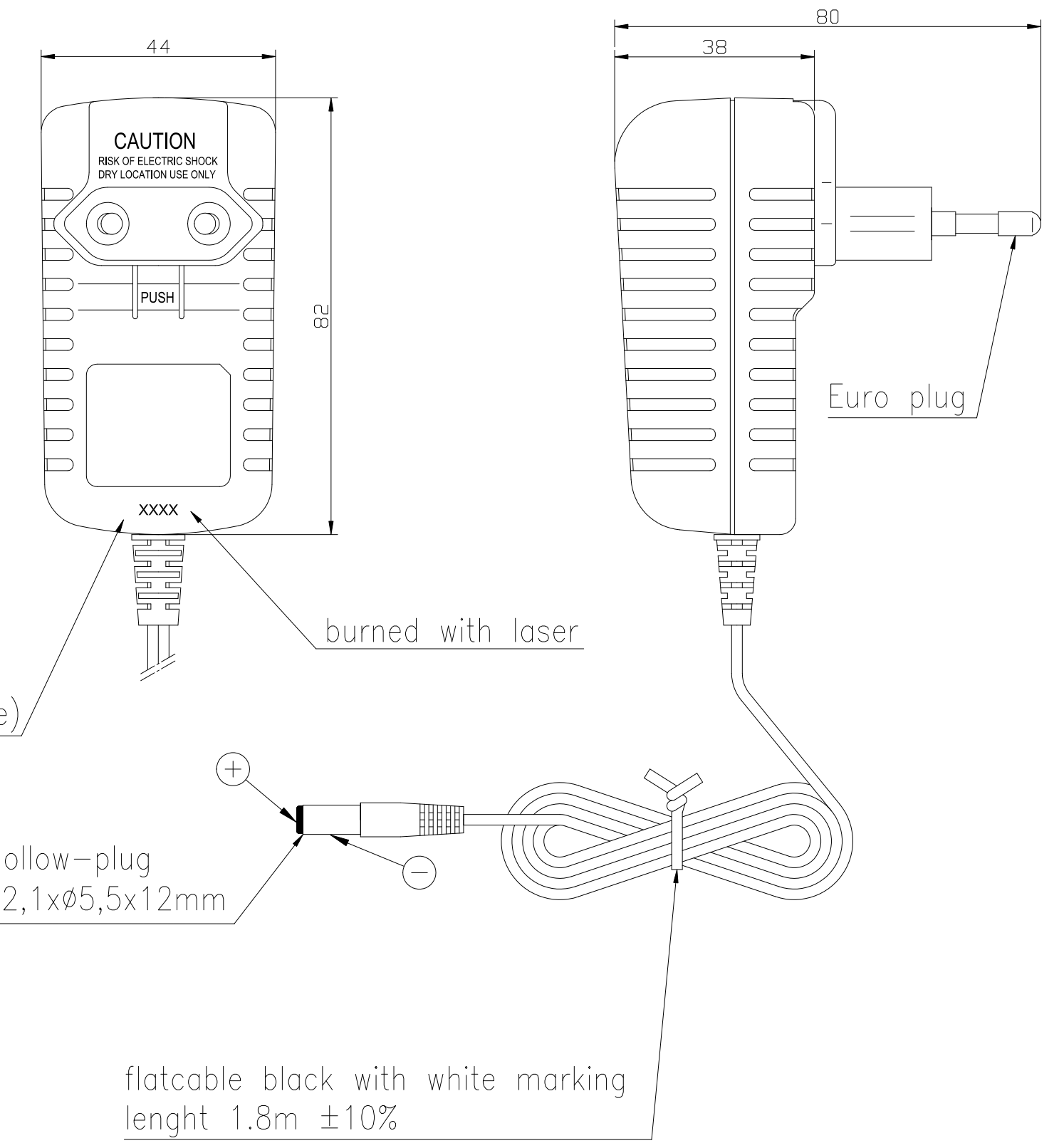
incl. adapter cable with a car lighter plug, exchangeable primary plug system, power supply and two colour disk diffuser



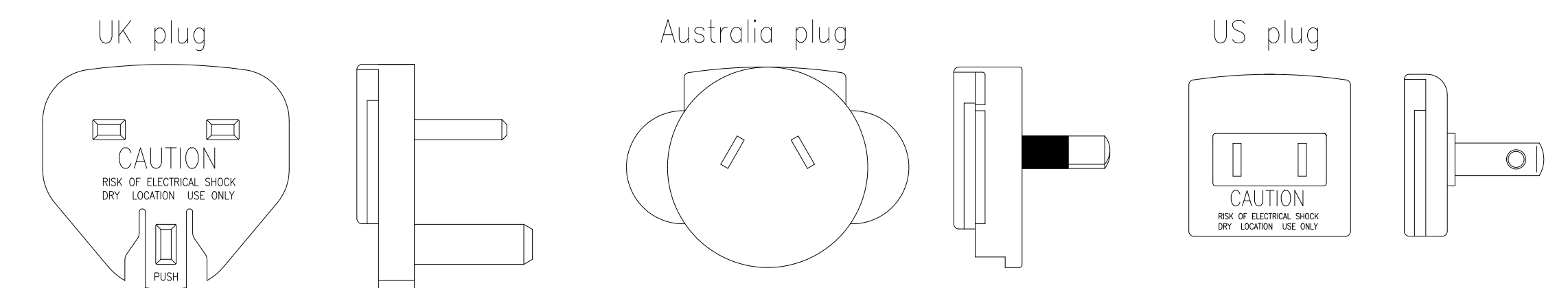
black label with white printing, scale 3:1



Verschlüsseltes Produktionsdatum/ date code (coded production date)



primary plug set



Technical data plug-in power supply

- input data : 100-240V AC 50/60Hz 0.4A
- output data : 15V DC ±10% 1000mA
- insulation : 4kV primary/secondary
- protection : IP 20
- operating temperature : 0°C.....+25°C
- storage temperature : -25°C.....+70°C
- approval : CE; cULus; SAA; BEAB; GS
- case : plug-in case black

Revisionsnummer/revision number for Anfrage/for inquiry xxx/xx	Zul. Abw. /change/ Allowable deviation	Gezeichnet/ Surface	Maßstab/Scale 1:1	Gewicht/Weight
V11 PSU label changed	03.07.15 CB		Werkstoff/Work material, Modell-Nr.	
V10 PSU plug changed	03.07.14 CB		Zeichnungsname/Drawing name	
V9 size code change of silver label	22.01.14 CF	2005	Datum/Date Name	17.08.08
V8 size code position changed	26.06.13 CB	Germany		
V6 label changed	17.03.13 CB	Germany		
V7 housing color corrected	08.10.11 ML			
V7 Make in China added	01.04.10 MF			
V6 changed label for housing	23.05.09 FK			
V5 new color of housing parts	23.04.09 JST			
V4 new supplier/changed software	10.09.08 BA			

Person: /change Date: /change Ursprung/Origin: T111, 113/28/05 Ersatz for/Replaces by: /change/Replaces by:

Zeichnungsnummer/Drawing number: 5802082 Blatt / Sheet 1

Arbeitsnummer/Part number: 5802082