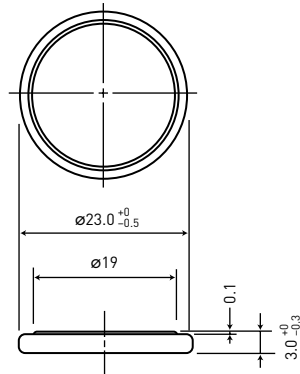


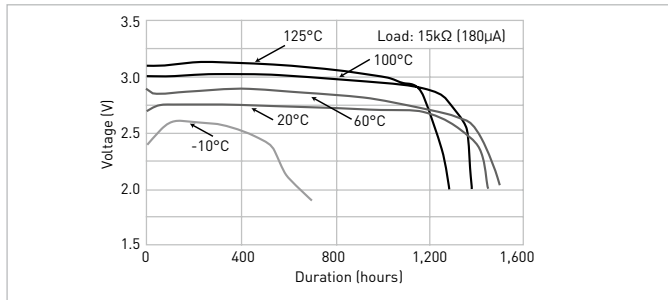
**BR-2330A**

DIMENSIONS (MM)

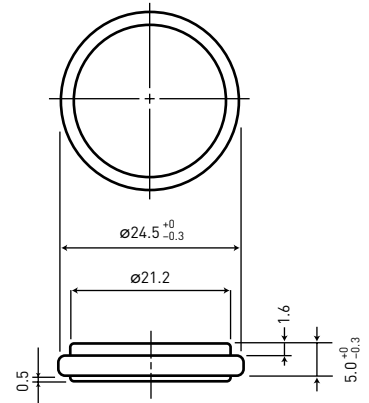


<b>Model number</b>	<b>BR-2330A</b>
<b>Nominal voltage (V)</b>	3
<b>Nominal capacity (mAh)</b>	255
<b>Diameter (mm)</b>	23.0
<b>Total height (mm)</b>	3.0
<b>Discharging temperature range (°C)</b>	-40 to +125
<b>Weight (g)</b>	3.2

**DISCHARGE TEMPERATURE CHARACTERISTICS**



**BR-2450A**



<b>Model number</b>	<b>BR-2450A</b>
<b>Nominal voltage (V)</b>	3
<b>Nominal capacity (mAh)</b>	550
<b>Diameter (mm)</b>	24.5
<b>Total height (mm)</b>	5.0
<b>Discharging temperature range (°C)</b>	-40 to +125
<b>Weight (g)</b>	5.9

**DISCHARGE TEMPERATURE CHARACTERISTICS**

