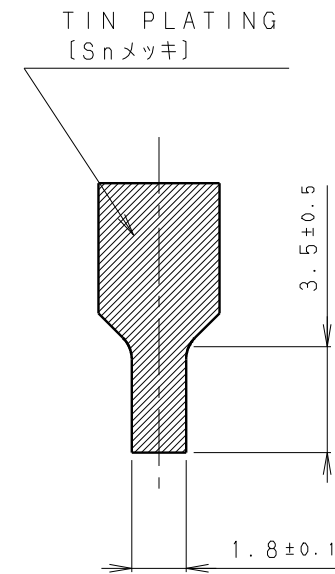
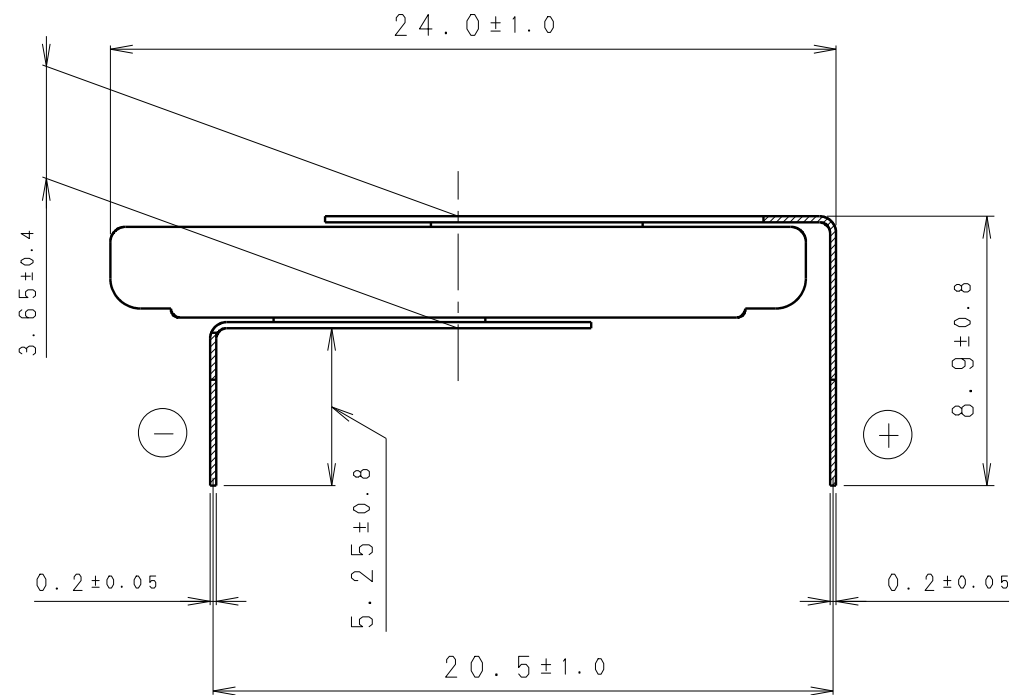
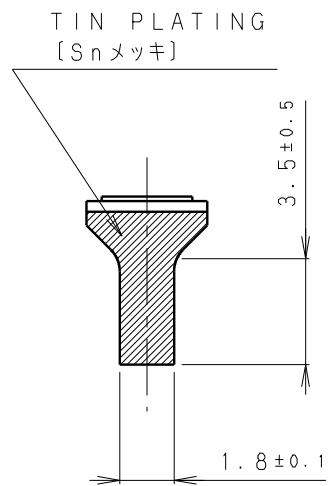
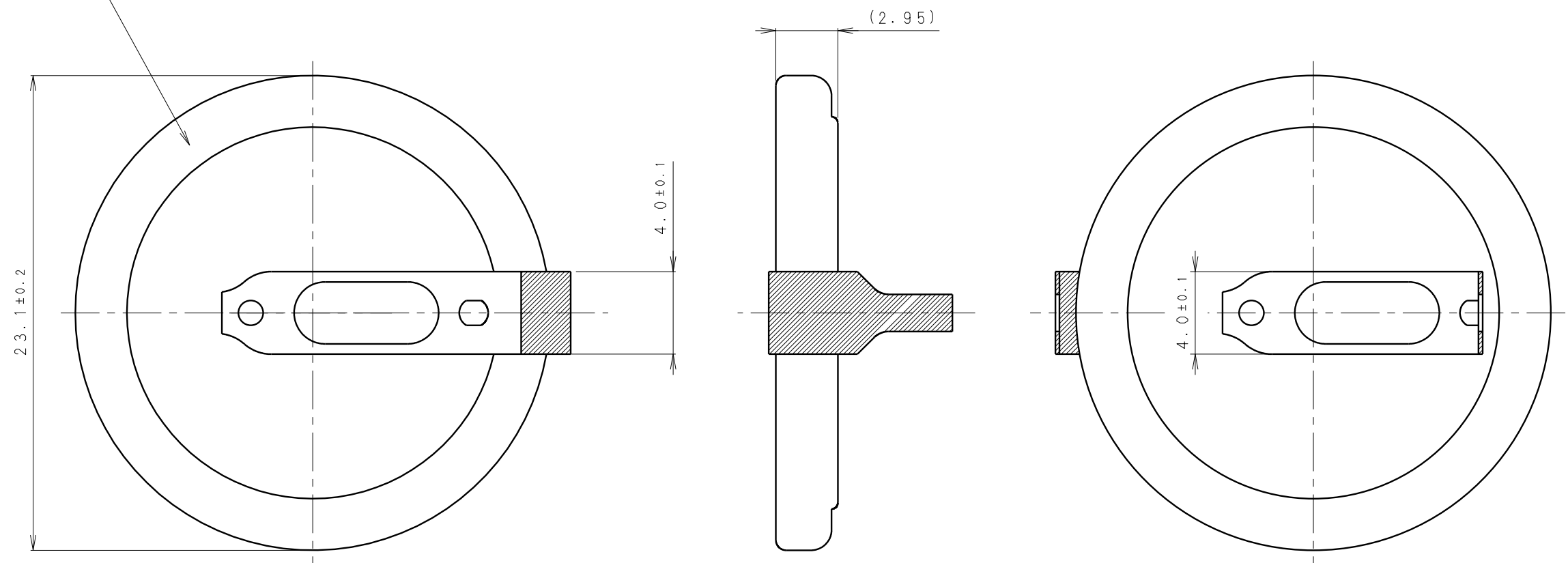


* NOTE [注記]

1. TAB PULLING STRENGTH OVER 19.6N [端子溶接強度: 19.6N以上]
2. TAB MATERIAL: STAINLESS STEEL WITH TIN PLATING [端子材料: 基材 ステンレス/表面 部分Snメッキ]
3. (): REFERENCE DIMENSION AND ANGLE [() 寸法、角度は参考値]

PRODUCT NO.	BR-2330/HEN	SCALE	4:1
DRAWING NO.	QKHA1N	REV.	0
			UNIT:mm

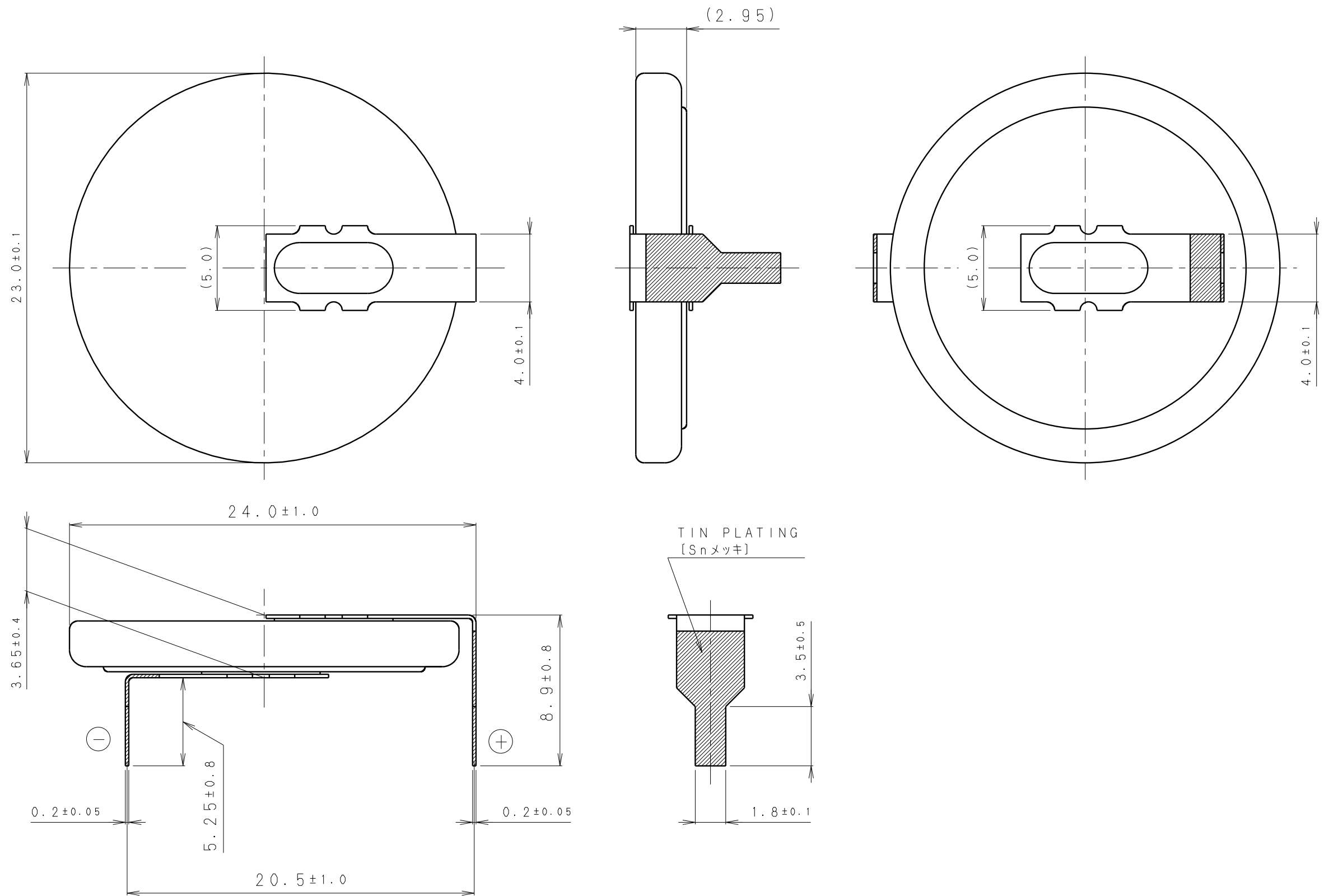
INSULATOR (YELLOW)
 [絶縁チューブ (黄色)]



* NOTE [注記]

1. TAB PULLING STRENGTH OVER 19.6N [端子溶接強度: 19.6N以上]
2. TAB MATERIAL: STAINLESS STEEL WITH TIN PLATING [端子材料: 基材 ステンレス/表面 部分Snメッキ]
3. (): REFERENCE DIMENSION AND ANGLE [() 寸法、角度は参考値]

PRODUCT NO.	BR-2330/HFN	SCALE	4:1
DRAWING NO.	QKHA1Z	REV.	0
			UNIT:mm

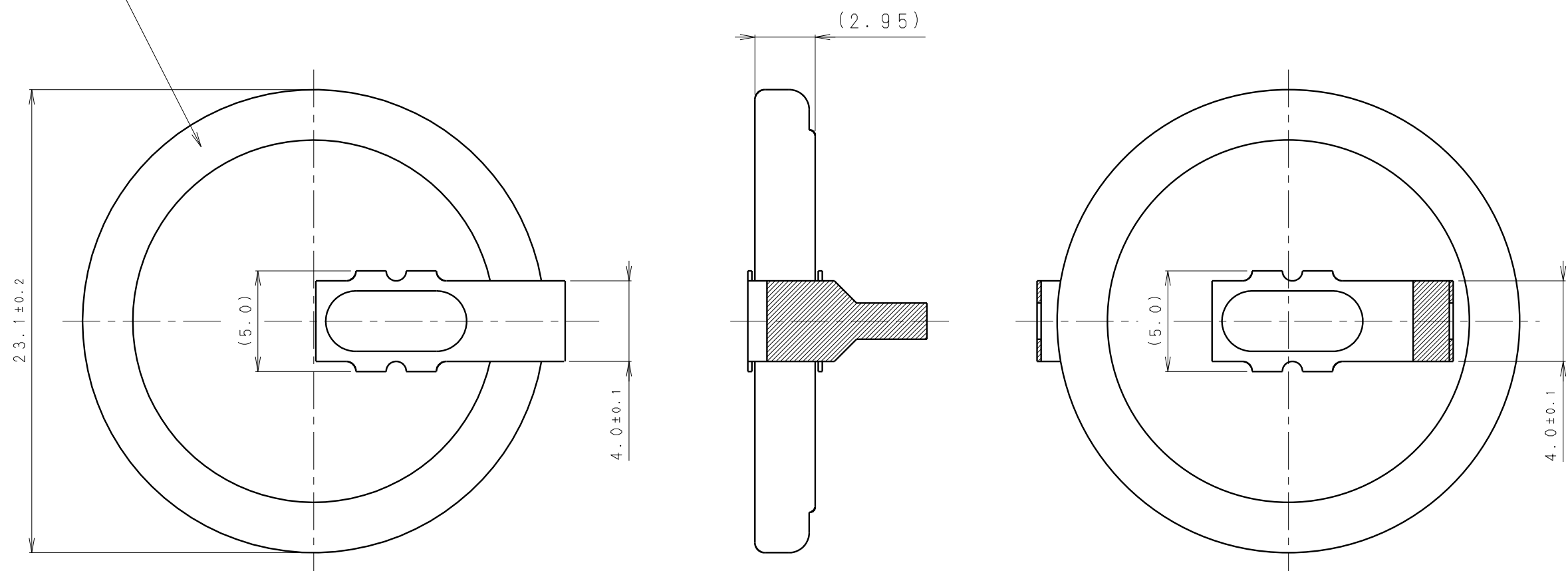


* NOTE [注記]

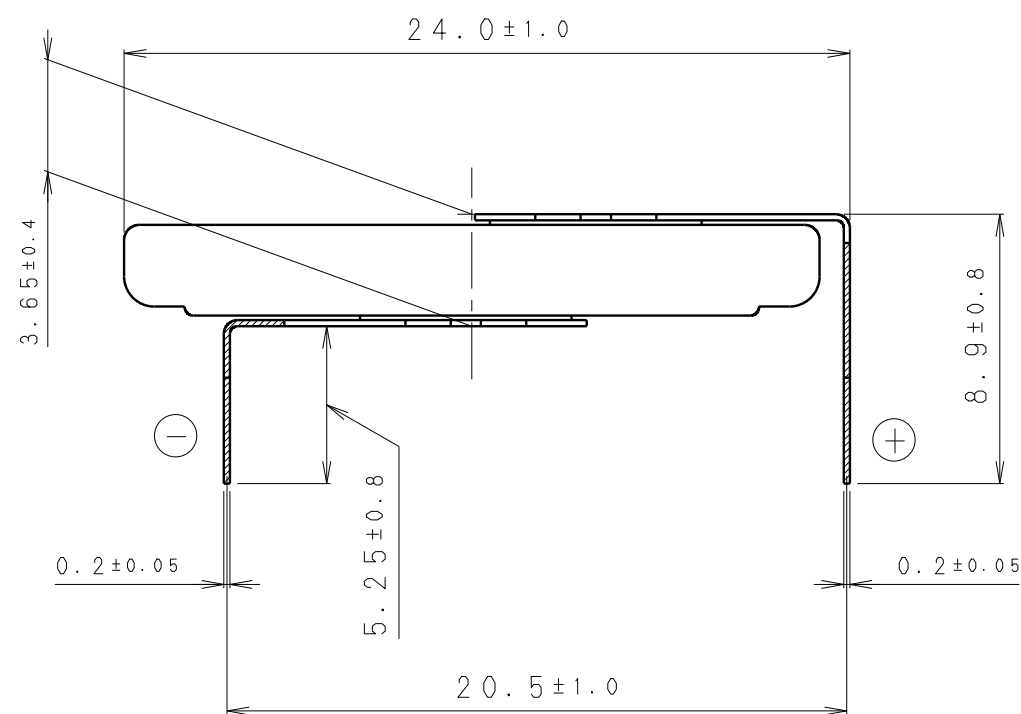
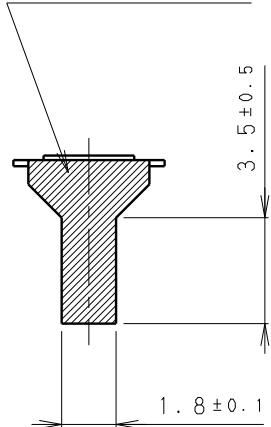
- TAB PULLING STRENGTH OVER 19.6N [端子溶接強度: 19.6N以上]
- TAB MATERIAL: STAINLESS STEEL WITH TIN PLATING [端子材料: 基材 ステンレス/表面 部分Snメッキ]
- (): REFERENCE DIMENSION AND ANGLE [() 寸法、角度は参考値]

PRODUCT NO.	BR-2330/HEN	SCALE	4:1
DRAWING NO.	QKHB1N	REV.	0
			UNIT:mm

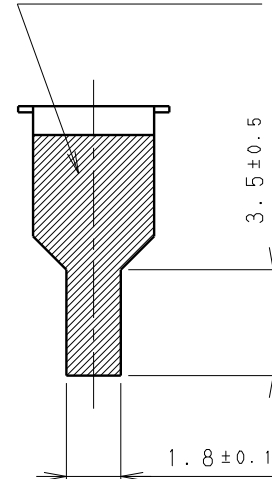
INSULATOR (YELLOW)
 [絶縁チューブ (黄色)]



TIN PLATING
 [Snメッキ]



TIN PLATING
 [Snメッキ]



* NOTE [注記]

1. TAB PULLING STRENGTH OVER 19.6N [端子溶接強度: 19.6N以上]
2. TAB MATERIAL: STAINLESS STEEL WITH TIN PLATING [端子材料: 基材 ステンレス/表面 部分Snメッキ]
3. (): REFERENCE DIMENSION AND ANGLE [() 寸法、角度は参考値]

PRODUCT NO.	BR-2330/HFN	SCALE	4:1
DRAWING NO.	QKHB1Z	REV.	0
			UNIT: mm