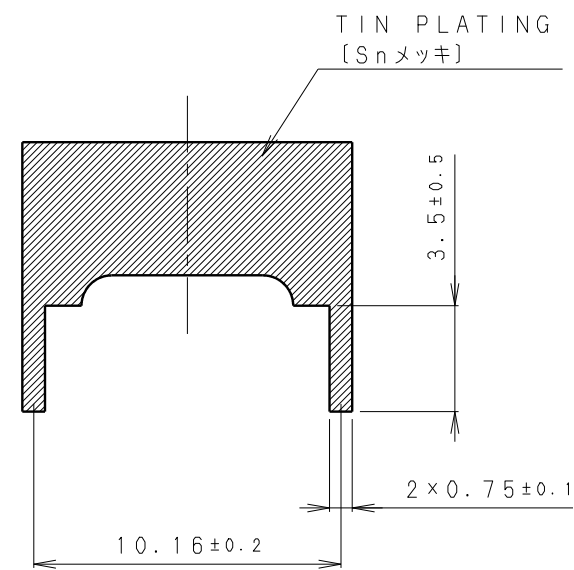
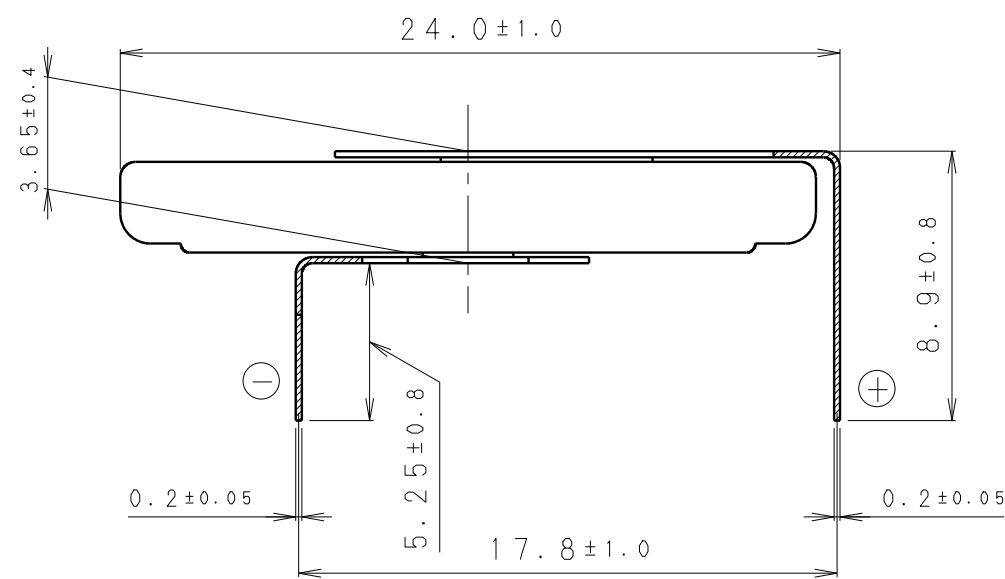
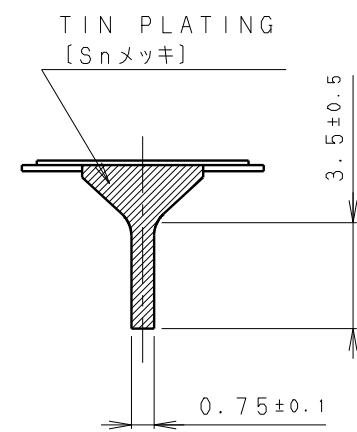
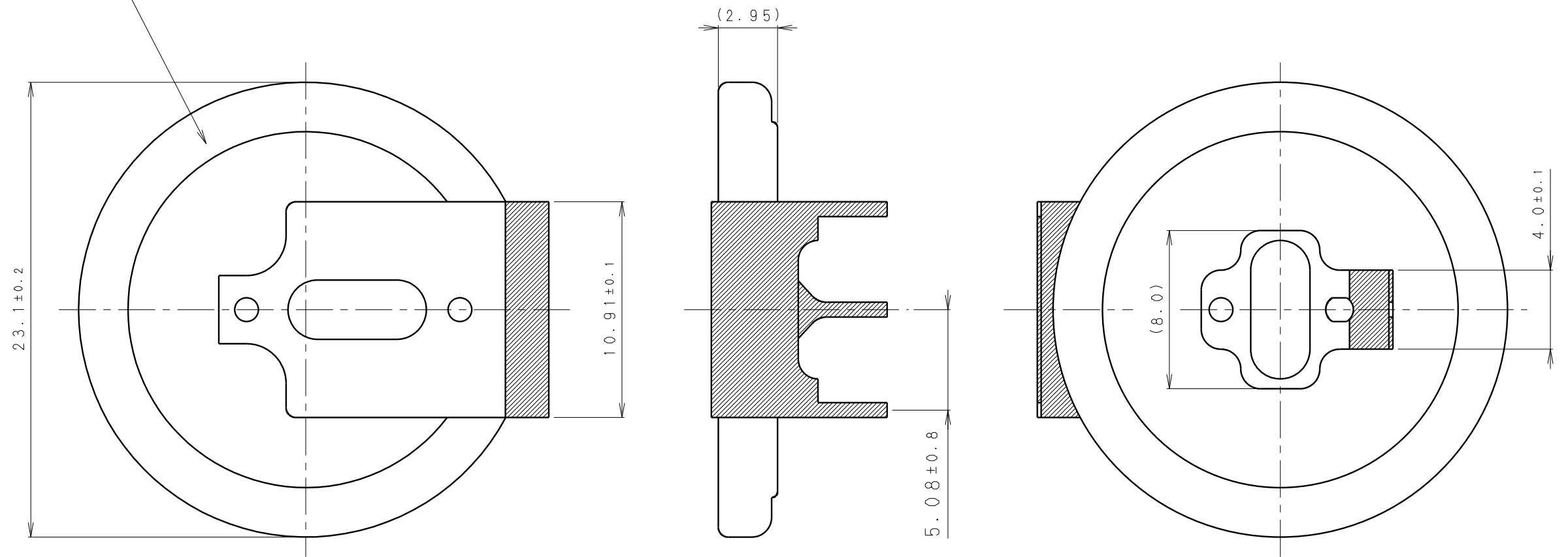


* NOTE [注記]

1. TAB PULLING STRENGTH OVER 19.6N [端子溶接強度: 19.6N以上]
2. TAB MATERIAL: STAINLESS STEEL WITH TIN PLATING [端子材料: 基材 ステンレス/表面 部分Snメッキ]
3. (): REFERENCE DIMENSION AND ANGLE [() 寸法、角度は参考値]

| | | | |
|-------------|--------------|-------|---------|
| PRODUCT NO. | BR-2330A/GAN | SCALE | 4:1 |
| DRAWING NO. | QKGB1N | REV. | 0 |
| | | | UNIT:mm |

INSULATOR (FRESH GREEN)
[絶縁シール (フレッシュグリーン色)]



* NOTE [注記]

1. TAB PULLING STRENGTH OVER 19.6N [端子溶接強度: 19.6N以上]
2. TAB MATERIAL: STAINLESS STEEL WITH TIN PLATING [端子材料: 基材 ステンレス/表面 部分Snメッキ]
3. (): REFERENCE DIMENSION AND ANGLE [() 寸法、角度は参考値]

| | | | |
|-------------|--------------|-------------|--------|
| PRODUCT NO. | BR-2330A/GCN | SCALE | 4:1 |
| | | DRAWING NO. | QKGB1Z |
| | | REV. | 0 |
| | | UNIT:mm | |