

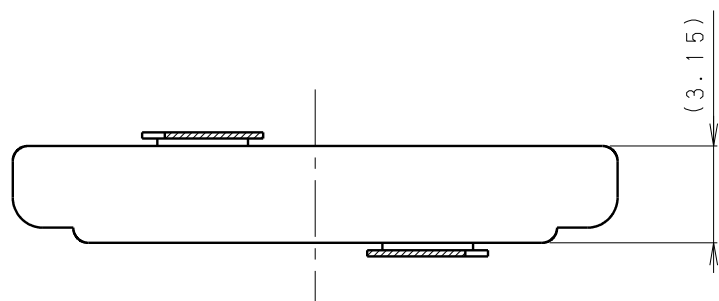
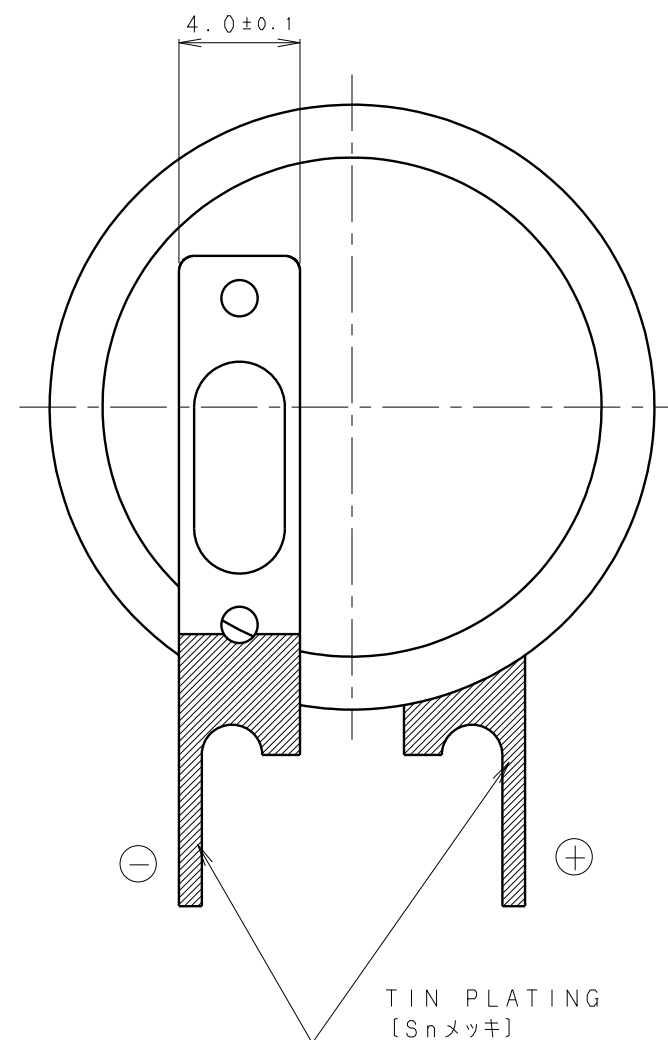
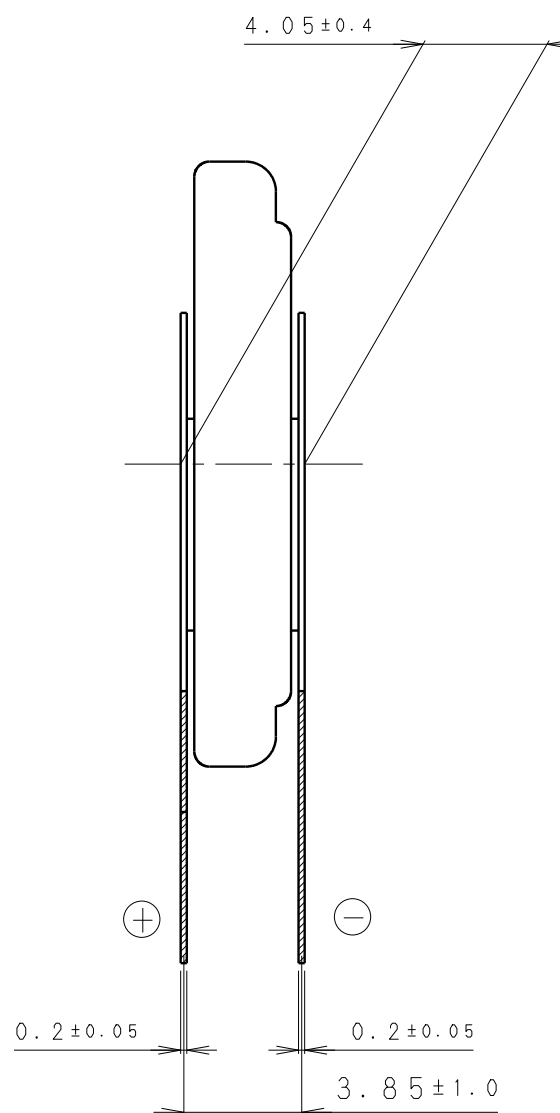
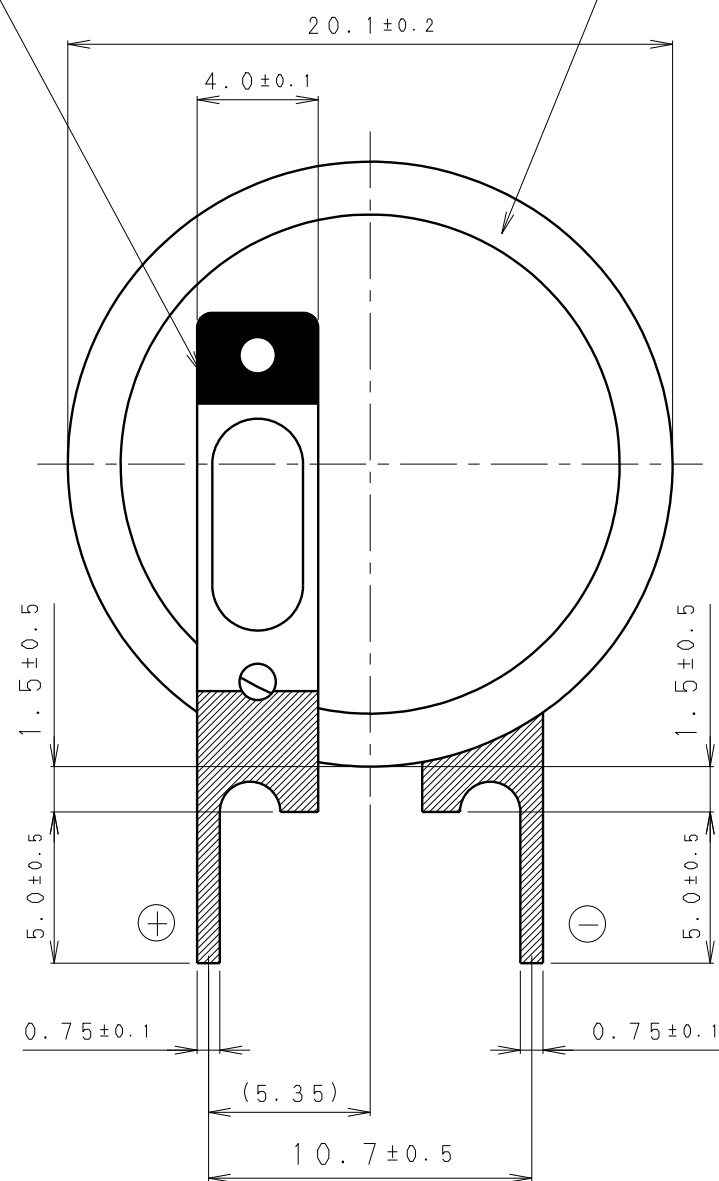
\* NOTE [注記]

1. TAB PULLING STRENGTH OVER 19.6N [端子溶接強度: 19.6N以上]
2. TAB MATERIAL: STAINLESS STEEL WITH TIN PLATING [端子材料: 基材 ステンレス/表面 部分Snメッキ]
3. ( ): REFERENCE DIMENSION AND ANGLE [ ( ) 寸法、角度は参考値]

PRODUCT NO.	BR-2032/VC1N	SCALE	
		4:1	
DRAWING NO.	PMVB1Z	REV.	UNIT:mm
		0	

"+" TERMINAL INDICATION (RED)  
 [(+) 極性表示 (赤色)]

INSULATOR (YELLOW)  
 [絶縁チューブ (黄色)]



\* NOTE [注記]

1. TAB PULLING STRENGTH OVER 19.6N [端子溶接強度: 19.6N以上]
2. TAB MATERIAL: STAINLESS STEEL WITH TIN PLATING [端子材料: 基材 ステンレス/表面 部分Snメッキ]
3. ( ): REFERENCE DIMENSION AND ANGLE [( ) 寸法、角度は参考値]

PRODUCT NO.	BR-2032/VCN	SCALE	4:1
DRAWING NO.	PMVA1Z	REV.	0
			UNIT:mm