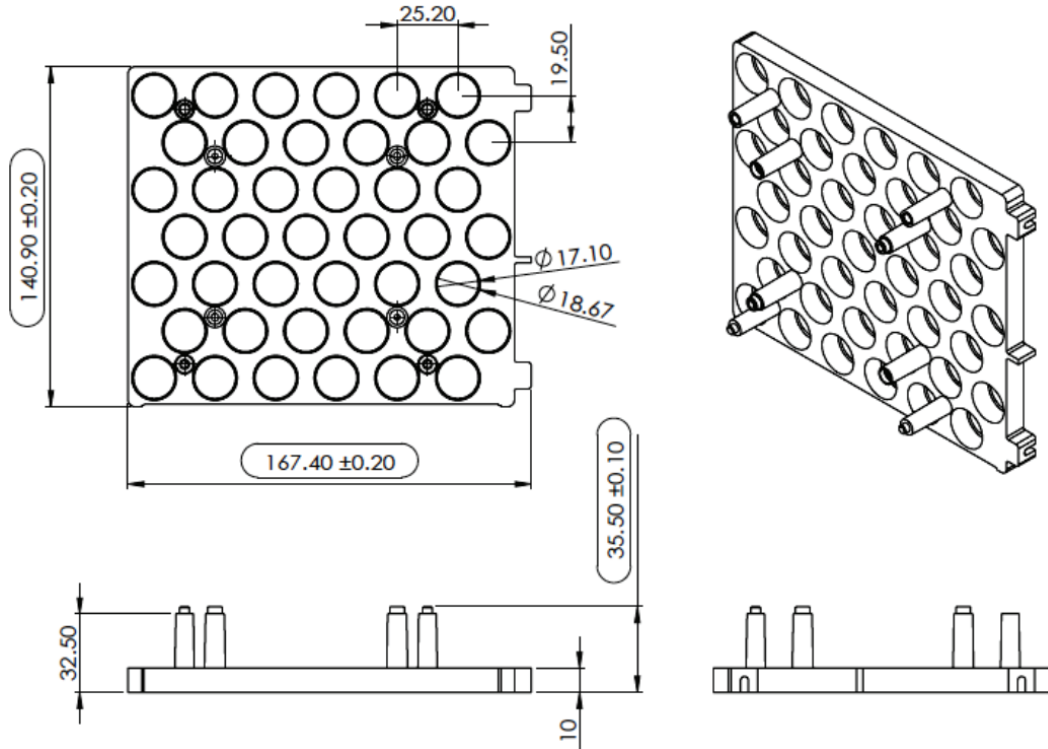




#### SPECIFICATIONS

CELL SIZE: 18650      CELL QUANTITY 42      CONFIGURATION 6x7 Offset

#### DRAWING



#### IMAGES

