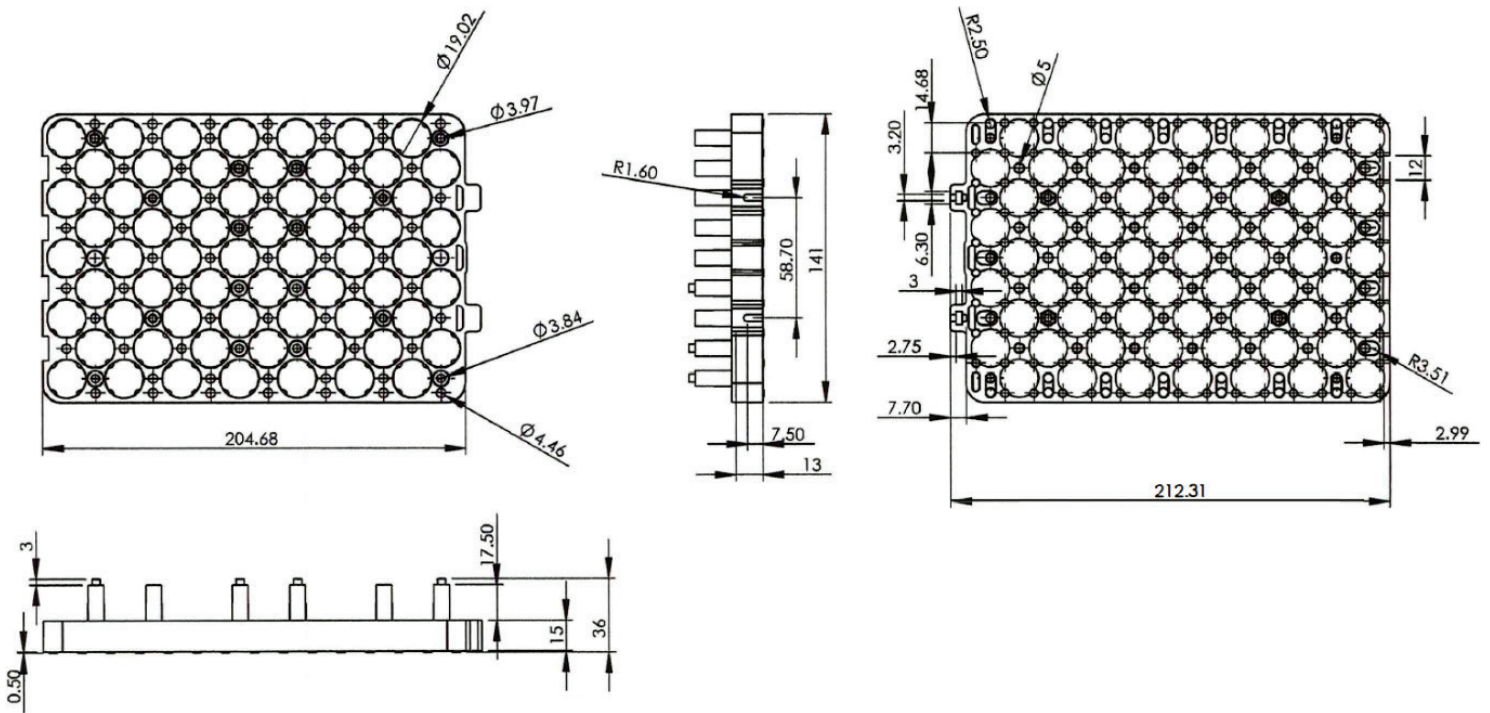




SPECIFICATIONS

CELL SIZE: 18650 CELL QUANTITY 63 CONFIGURATION 7x5/4

DRAWING



IMAGES

