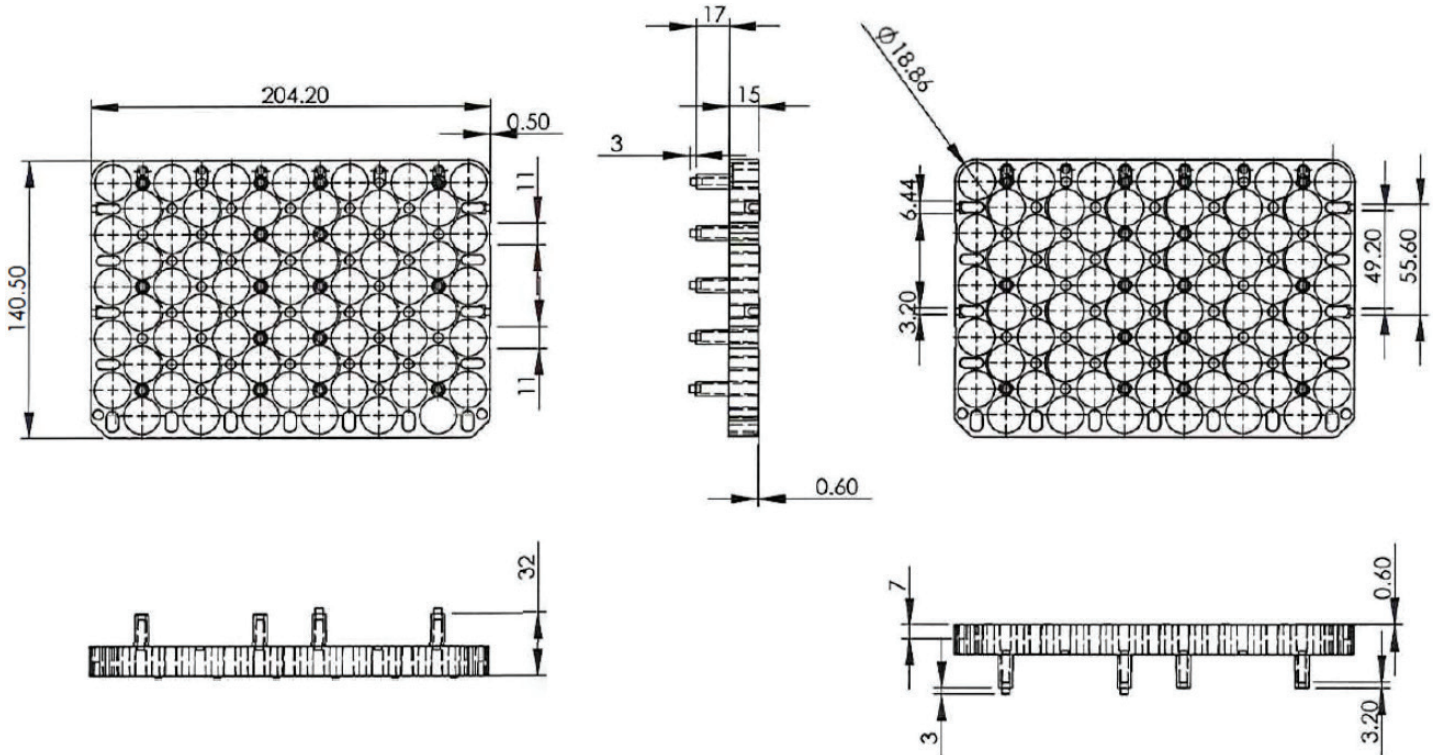




SPECIFICATIONS

CELL SIZE: 18650 CELL QUANTITY 65 CONFIGURATION 7/6x5

DRAWING



IMAGES

