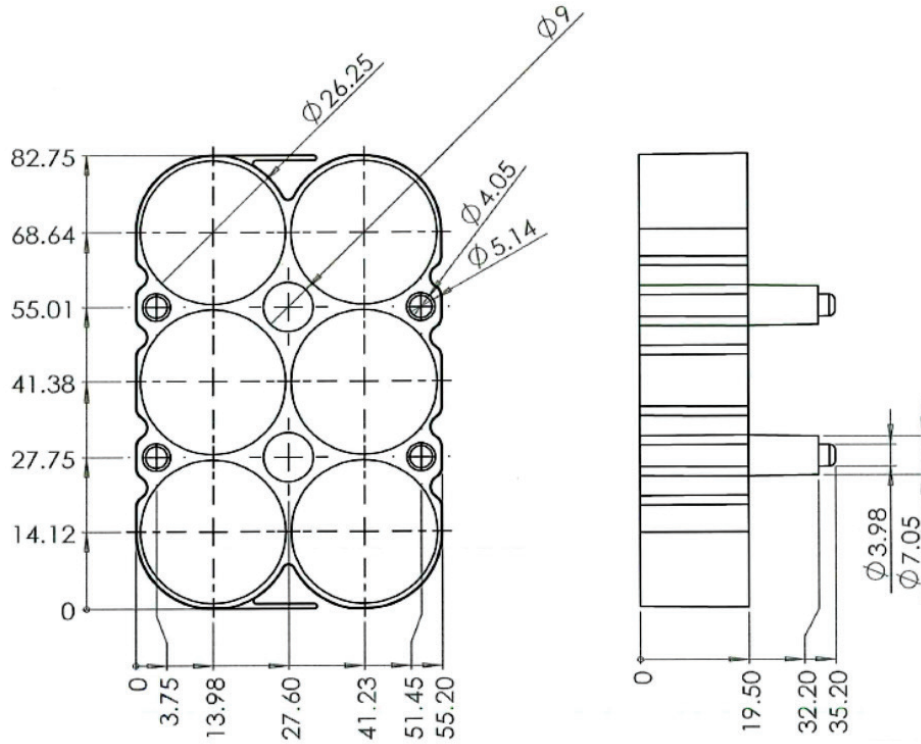




SPECIFICATIONS

CELL SIZE:	26650	CELL QUANTITY	6	CONFIGURATION	3x2
------------	-------	---------------	---	---------------	-----

DRAWING



IMAGES

