

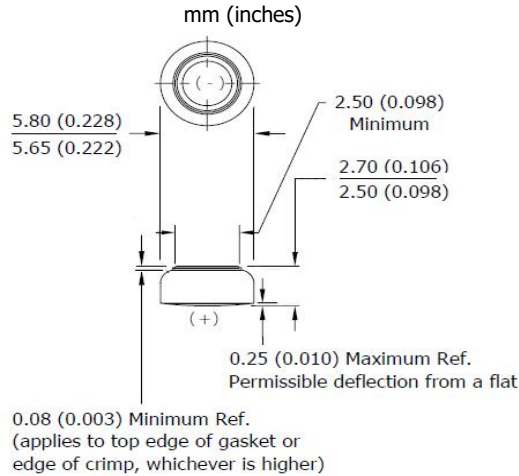
**ENERGIZER 319**

**ZEROMERCURY**

**SILVER OXIDE**



**Industry Standard Dimensions**



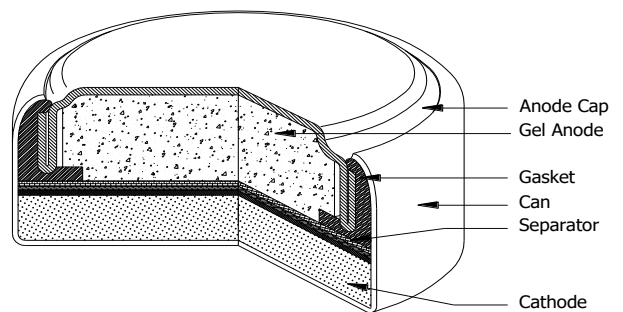
DESIGNED FOR USE ON CONTINUOUS LOW DRAIN

**Specifications**

- Chemical System:** Silver Oxide (Zn/Ag<sub>2</sub>O)
- Nominal Voltage:** 1.55 Volts
- Typical Capacity:** 22.5 mAh\* (to 1.2 volts)
- Capacity Test:** 56K ohm continuous drain at 21°C
- Typical Weight:** 0.29 grams (0.011 oz.)
- Typical Volume:** 0.07 cubic centimeters (0.004 cubic inch)
- Impedance (40 Hz):** 50 to 60 ohms

\* Varies according to the applied load, temperature, and cutoff voltage.

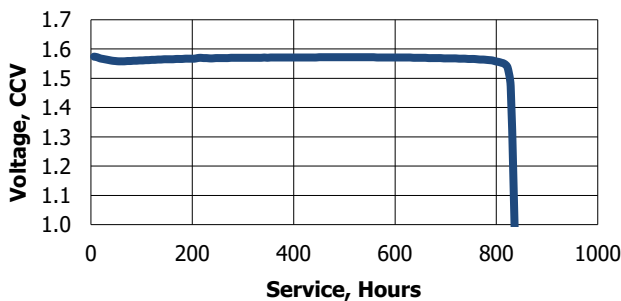
**Cross Section**



**Typical Discharge Characteristics**

Typical Performance at 21°C (70°F)

**Schedule:** Continuous  
**Typical Drain @1.55V:**  
 0.028 milliamperes  
**Load:** 56K ohm

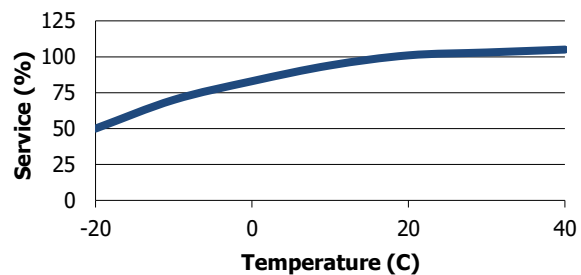


<u>Schedule</u>	<u>Typical Drains</u> at 1.55V (milliamperes)	<u>Load</u> (ohm)	<u>Cutoff</u> (hours)
Continuous	0.028	56K	813

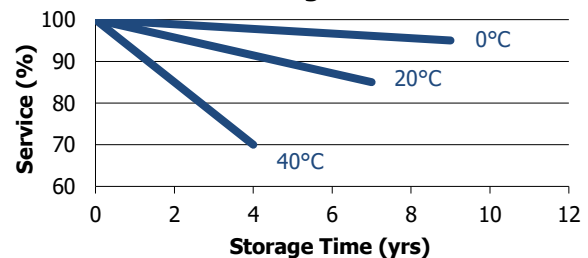
**Temperature Characteristics**

Typical Performance at Low Discharge Rates

**Service Effects**



**Storage Effects**



**Important Notice**

This datasheet contains typical information specific to products manufactured at the time of its publication.  
**Contents herein do not constitute a warranty and are for reference only.**