

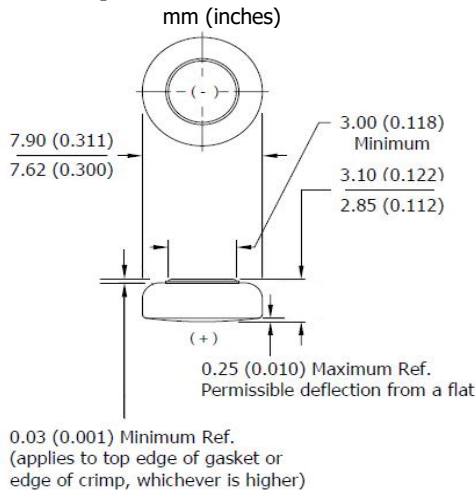
ENERGIZER 329

ZEROMERCURY[®]

SILVER OXIDE



Industry Standard Dimensions



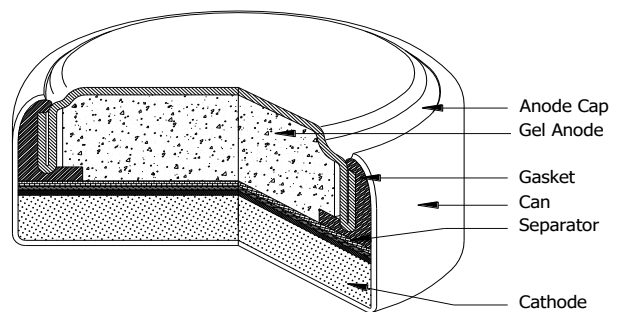
DESIGNED FOR USE ON CONTINUOUS LOW DRAIN

Specifications

Chemical System:	Silver Oxide (Zn/Ag ₂ O)
Nominal Voltage:	1.55 Volts
Typical Capacity:	39 mAh* (to 1.2 volts)
Capacity Test:	22K ohm continuous drain at 21°C
Typical Weight:	0.57 grams (0.02 oz.)
Typical Volume:	0.15 cubic centimeters (0.009 cubic inch)
Impedance (40 Hz):	55 to 65 ohms

* Varies according to the applied load, temperature, and cutoff voltage.

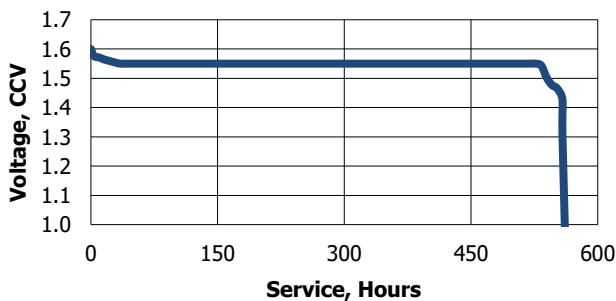
Cross Section



Typical Discharge Characteristics

Typical Performance at 21°C (70°F)

Schedule: Continuous
Typical Drain @1.55V:
 0.070 milliamperes
Load: 22K ohm

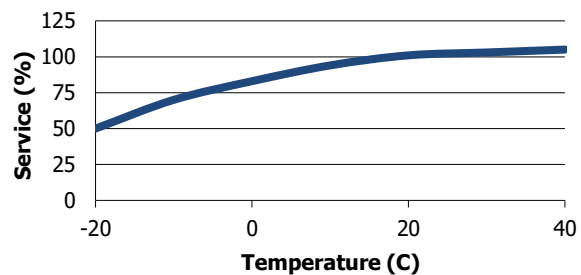


<u>Schedule</u>	<u>Typical Drains</u> at 1.55V (milliamperes)	<u>Load</u> (ohm)	<u>Cutoff</u> 1.2V (hours)
Continuous	0.070	22K	554

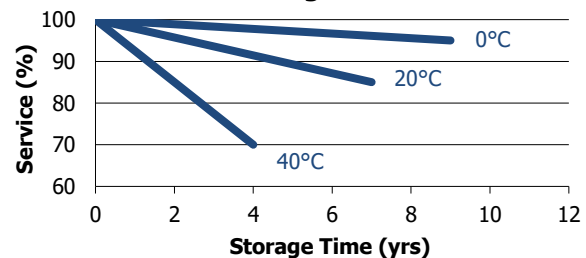
Temperature Characteristics

Typical Performance at Low Discharge Rates

Service Effects



Storage Effects



Important Notice

This datasheet contains typical information specific to products manufactured at the time of its publication.
Contents herein do not constitute a warranty and are for reference only.