

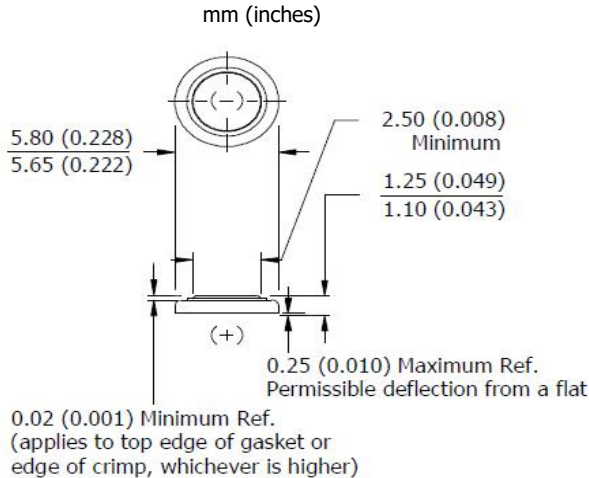
# ENERGIZER 335

**ZERO**MERCURY®

**SILVER OXIDE**



## Industry Standard Dimensions



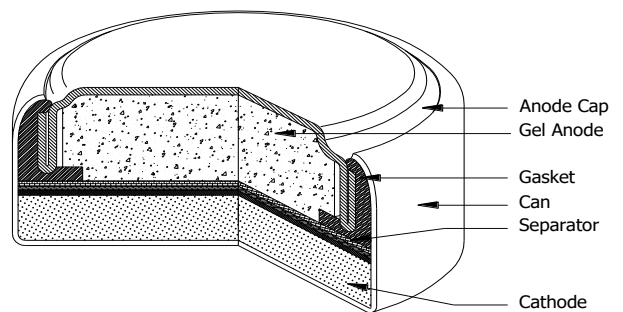
DESIGNED FOR USE ON CONTINUOUS LOW DRAIN

## Specifications

- Chemical System:** Silver Oxide (Zn/Ag<sub>2</sub>O)
- Nominal Voltage:** 1.55 Volts
- Typical Capacity:** 6 mAh\* (to 1.2 volts)
- Capacity Test:** 150K ohm continuous drain at 21°C
- Typical Weight:** 0.13 grams (0.004 oz.)
- Typical Volume:** 0.03 cubic centimeters (0.001 cubic inch)
- Impedance (40 Hz):** 50 to 60 ohms

\* Varies according to the applied load, temperature, and cutoff voltage.

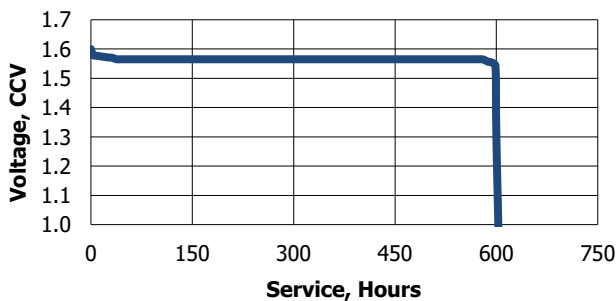
## Cross Section



## Typical Discharge Characteristics

Typical Performance at 21°C (70°F)

**Schedule:** Continuous  
**Typical Drain @1.55V:**  
 0.01 milliamperes  
**Load:** 150K ohm

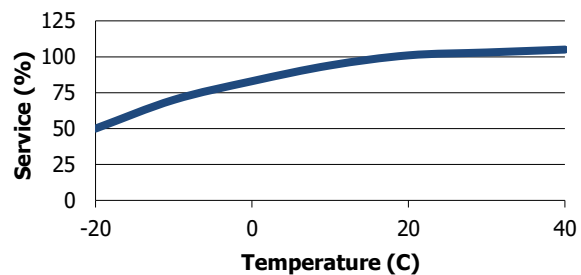


Schedule	Typical Drains at 1.55V (milliamperes)	Load (ohm)	Cutoff (hours)
Continuous	0.01	150K	600

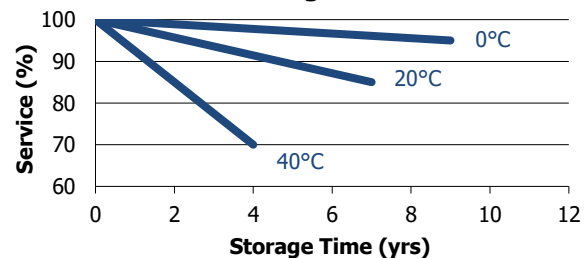
## Temperature Characteristics

Typical Performance at Low Discharge Rates

### Service Effects



### Storage Effects



## Important Notice

This datasheet contains typical information specific to products manufactured at the time of its publication.  
**Contents herein do not constitute a warranty and are for reference only.**