



12V

250Ah

SLA

AGM

## 12SB250TL-FR

Rechargeable AGM Sealed Lead Acid Battery

### SPECIFICATIONS

<b>Nominal Voltage</b>	12V	
<b>Nominal Capacity</b>		
20 hour rate (12.5A to 10.20V)	250Ah	
10 hour rate (23.0A to 10.80V)	230Ah	
5 hour rate (39.1A to 10.20V)	195.5Ah	
1 hour rate (138A to 9.60V)	138Ah	
<b>Weight</b>	Approx. 73.2kg	
<b>Internal Resistance (at 1KHz)</b>	Approx. 2.5mΩ	
<b>Maximum Discharge Current (5 secs)</b>	1840A	
<b>Charge Methods at 25°C</b>		
<b>Standby Use</b>		
Float Charging Voltage	13.5V to 13.8V	
Coefficient -3.0mV/°C/Cell		
Maximum Charging Current	75A	
<b>Operating Temperature Range</b>		
<b>Charge</b>	-15°C to 40°C	
<b>Discharge</b>	-15°C to 50°C	
<b>Storage</b>	-15°C to 40°C	
<b>Charge Retention (Shelf Life) at 20°C</b>		
1 month	98%	
3 months	94%	
6 months	85%	
<b>Case Material</b>	UL94 V-0 Flame Retardant	
<b>Termination</b>	F18 (M8 Bolt)	

#### Description of Torque Value of Hardware for the Terminals

Recommended Torque Value	M8: 12 N-m (122kgf-cm)
Max. Allowable Torque Value	M8: 15 N-m (153kgf-cm)

<b>Design Life</b>	10-12 years at 20°C
Expected Trickle Design Life	

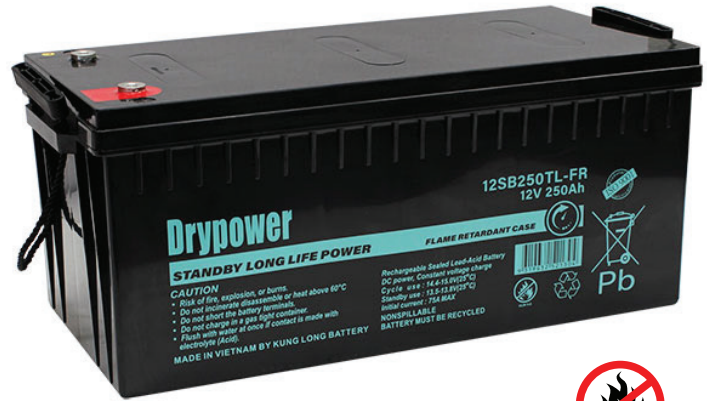
- Classified as a non-spillable battery. Approved for transportation by:**
- Air (IATA/ICAO provision A67)
  - Road
  - Sea (per IMDG Special Provision 238)



Barcode

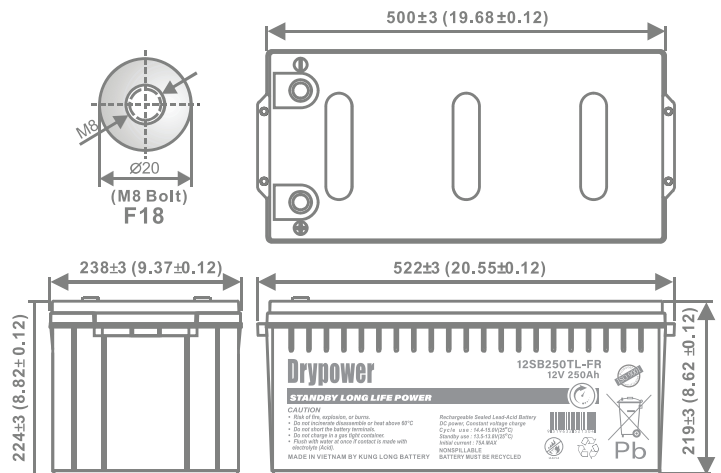


9319632521304

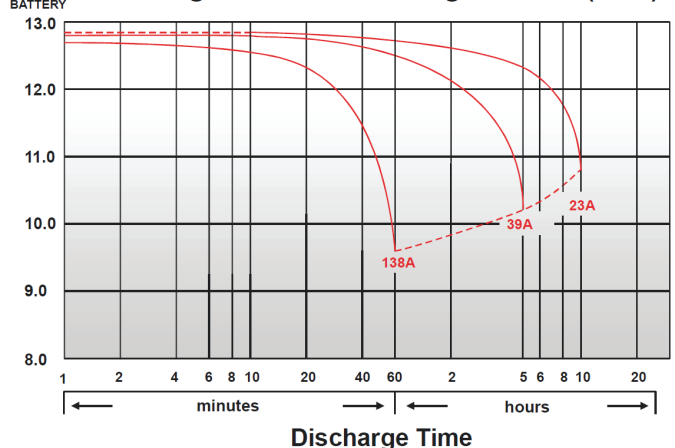


### DIMENSIONS

mm (inch)

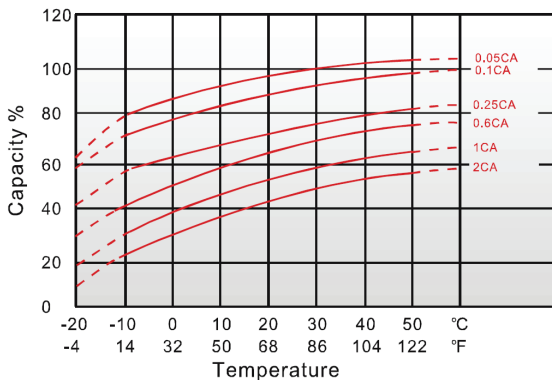


#### Discharge Time VS. Discharge Current (25°C)

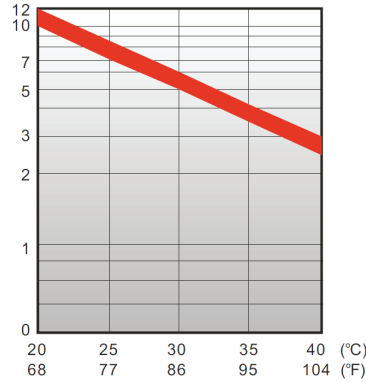


### CHARACTERISTICS CHARTS

Effect of Temperature on Capacity 25°C(77°F)



Trickle (or float) Service Life

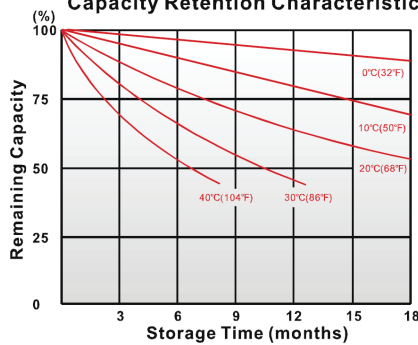


### FEATURES & BENEFITS

- ◆ Industry leading 99.99% pure lead content for superior service life and dependable performance.
- ◆ Long service life to reduce maintenance and logistical costs across telecom, utilities and off-grid applications.
- ◆ Minimises sulphation with a thicker plate design and higher percentage of tin content to maximise battery standby life.
- ◆ High rate discharge capable to ensure reliable performance.
- ◆ Maintenance free technology and non-spillable design.
- ◆ Manufactured by Kung Long Battery (KLB) at facilities in Taiwan and Vietnam. KLB is a leading manufacturer and complies with relevant international quality standards including ISO9001, CE ETL9000, UL1989, OHSAS18001 and ISO17025. KLB supports Green Sustainable supply chain practices.



Capacity Retention Characteristic



### PERFORMANCE DATA

Discharge Rates in Watts to Various End Voltages at 25°C (77°F)

End Voltage		1.85V	1.80V	1.75V	1.70V	1.67V	1.65V	1.60V
10	min	684	796	861	901	919	939	977
15	min	568	662	710	747	764	781	811
30	min	395	452	483	510	522	534	550
60	min	231	256	277	297	305	316	327
90	min	186	202	212	220	224	228	233
120	min	161	170	177	182	184	186	190
180	min	118	125	129	132	133	134	136
240	min	92.2	97	100	103	104	105	106
300	min	79	82.7	84.8	86.7	87.20	87.8	88.8
600	min	42.8	44.8	46.3	47.5	47.8	48.3	49
1200	min	23.2	24.3	25	25.5	25.7	25.8	26.2

Discharge Rates in Amperes to Various End Voltages at 25°C (77°F)

End Voltage		1.85V	1.80V	1.75V	1.70V	1.67V	1.65V	1.60V
10	min	352	403	444	476	487	502	526
15	min	316	360	389	412	421	433	447
30	min	226	252	271	285	290	296	305
60	min	124	137	148	155	158	162	168
90	min	91.6	101	107	112	113	115	119
120	min	73.4	81.5	86.2	89.6	91.1	92.8	95.1
180	min	54.5	58.6	61.3	63.7	64.4	65.2	66.9
240	min	43.80	46.4	48.5	49.9	50.5	51.2	52.3
300	min	38.1	40.5	41.9	43.1	43.5	43	43.8
600	min	22.3	23	23.3	23.6	23.7	23.9	24.1
1200	min	11.6	12.1	12.4	12.6	12.7	12.8	12.9

All data on the spec. sheet is an average value:

The tolerance range :  $X < 6\text{min}$  (+15%~-15%),  $6\text{min} \leq X < 10\text{min}$  (+12%~-12%),  $10\text{min} \leq X < 60\text{min}$  (+8%~-8%),  $X \geq 60\text{min}$  (+5%~-5%)

Aug2020

Performance may vary depending on application. All specifications are correct at time of creation. All specifications and operation conditions contained in this datasheet are subject to change or improvement without prior notice to the user. This data is for evaluation purposes only. No guarantee is intended or implied by this data. For clarification and updated information, please contact us.