

# Drypower Gel

PURE GEL TYPE  
**PURE GEL HIGH POWER**



12V

212Ah

SLA

GEL  
Deep Cycle

## 12PLG215TS

Rechargeable Pure Gel Lead Acid Battery

### SPECIFICATIONS

<b>Nominal Voltage</b>	12V	
<b>Nominal Capacity</b>		
20 hour rate (10.6A to 10.50V)	212Ah	
10 hour rate (20A to 10.80V)	200Ah	
5 hour rate (34A to 10.80V)	170Ah	
3 hour rate (50A to 10.80V)	150Ah	
1 hour rate (110A to 10.80V)	110Ah	

<b>Weight</b>	Approx. 64kg
<b>Internal Resistance (at 1KHz)</b>	Approx. 3.5mΩ

<b>Maximum Discharge Current (5 secs)</b>	1600A
---	-------

<b>Charge Methods at 25°C</b>	
<b>Cycle Use</b>	
Charging Voltage	13.8V to 14.4V
Coefficient -5.0mV/°C/Cell	
Maximum Charging Current	63.6A
<b>Standby Use</b>	
Float Charging Voltage	13.5V to 13.8V
Coefficient -3.0mV/°C/Cell	

<b>Operating Temperature Range</b>	
<b>Charge</b>	-15°C to 40°C
<b>Discharge</b>	-15°C to 50°C
<b>Storage</b>	-15°C to 40°C

<b>Charge Retention (Shelf Life) at 20°C</b>	
1 month	98%
3 months	94%
6 months	85%

<b>Case Material</b>	ABS UL94 HB
----------------------	-------------

<b>Termination</b>	F18 (M8 Bolt)
--------------------	---------------

#### Description of Torque Value of Hardware for the Terminals

Recommended Torque Value	M8: 12 N-m (122kgf-cm)
Max. Allowable Torque Value	M8: 15 N-m (153kgf-cm)

<b>Design Life</b>	12 years
--------------------	----------

Classified as a non-spillable battery.

Approved for transportation by:

- Air (IATA/ICAO provision A67)
- Road
- Sea (per IMDG Special Provision 238)

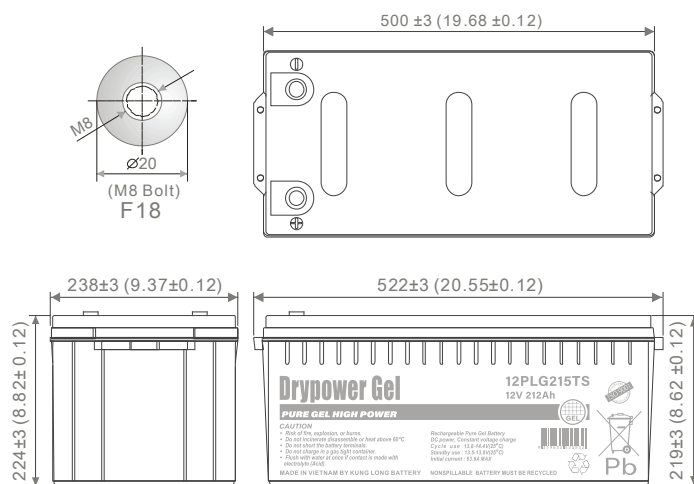


<b>Barcode</b>	 9319632520932
----------------	--

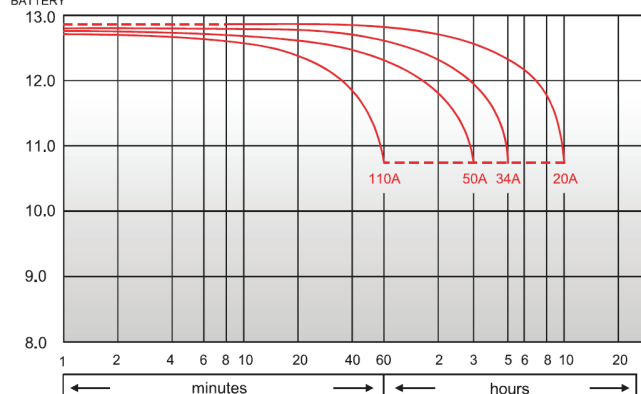


### DIMENSIONS

mm (inch)

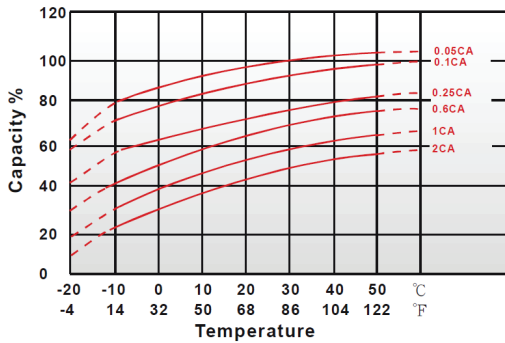


FOR 12V BATTERY Discharge Time VS. Discharge Current (25°C)

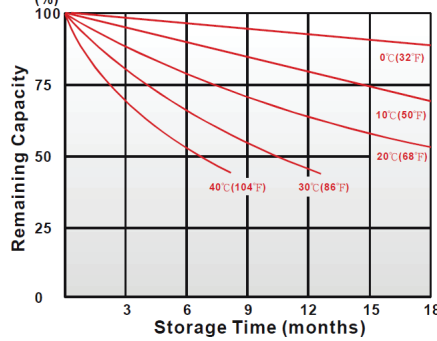


## CHARACTERISTICS CHARTS

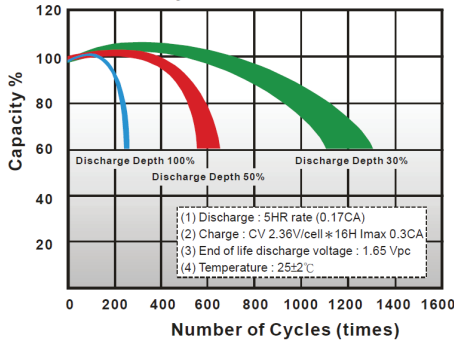
Effect of Temperature on Capacity 25°C (77°F)



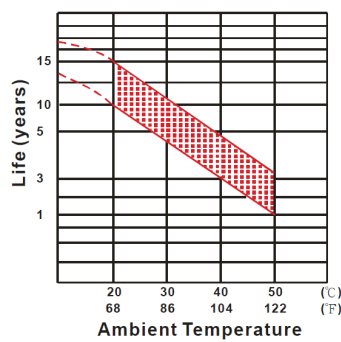
Capacity Retention Characteristic



Cycle Service Life



Trickle (or float) Service Life



## FEATURES & BENEFITS

- ◆ Industry leading 99.99% pure lead content for superior service life and dependable performance.
- ◆ Gel compound contains more electrolyte that is more evenly distributed across the battery, producing stable output throughout its service life, minimising sulphation and significantly improving standby life.
- ◆ Low internal resistance for optimum charge and discharge efficiency.
- ◆ Maintenance free technology and non-spillable design.
- ◆ Better suited for more extreme operating temperatures.
- ◆ Manufactured by Kung Long Battery (KLB) at facilities in Taiwan and Vietnam. KLB is a leading manufacturer and complies with relevant international quality standards including ISO9001, CE ETL9000, UL1989, OHSAS18001 and ISO17025. KLB supports Green Sustainable supply chain practices.



## PERFORMANCE DATA

Discharge Rates in Watts to Various End Voltages at 25°C (77°F)

End Voltage		1.85V	1.75V	1.70V	1.65V	1.60V
Time	min					
10	min	604	641	666	693	712
15	min	519	548	568	589	604
30	min	334	347	355	367	374
60	min	215	222	226	232	236
120	min	133	137	139	140	141
180	min	95	98	98.7	99.3	100
240	min	78	80.3	81	81.5	82
300	min	66.8	69	69.5	69.8	70.3
600	min	39.8	40	40.3	40.5	40.5
1200	min	21	21.2	21.3	21.3	21.3

Discharge Rates in Amperes to Various End Voltages at 25°C (77°F)

End Voltage		1.85V	1.75V	1.70V	1.65V	1.60V
Time	min					
10	min	334	354	367	383	393
15	min	284	300	210	322	330
30	min	179	185	190	196	200
60	min	113	117	119	122	124
120	min	69.1	70.9	72	72.6	73.1
180	min	48.5	50	50.4	50.7	51
240	min	39.8	41	41.3	41.6	41.8
300	min	34.00	35	35.2	35.5	35.7
600	min	20	20.1	20.3	20.3	20.4
1200	min	10.5	10.6	10.6	10.7	10.7

All data on the spec. sheet is an average value:

The tolerance range : X < 6min (+15%~-15%), 6min ≤ X < 10min (+12%~-12%), 10min ≤ X < 60min (+8%~-8%), X ≥ 60min (+5%~-5%)

Aug2020

Performance may vary depending on application. All specifications are correct at time of creation. All specifications and operation conditions contained in this datasheet are subject to change or improvement without prior notice to the user. This data is for evaluation purposes only. No guarantee is intended or implied by this data. For clarification and updated information, please contact us.