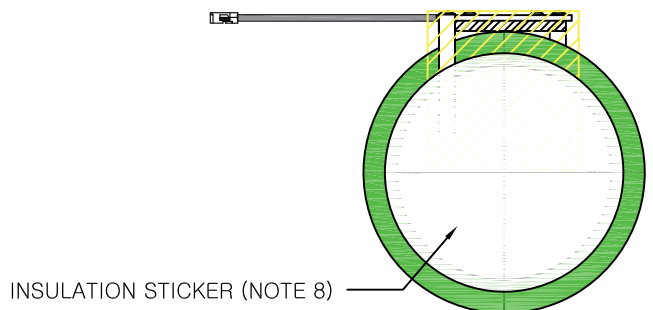
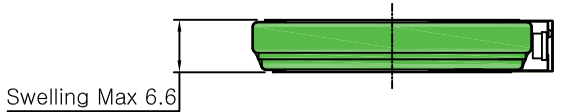
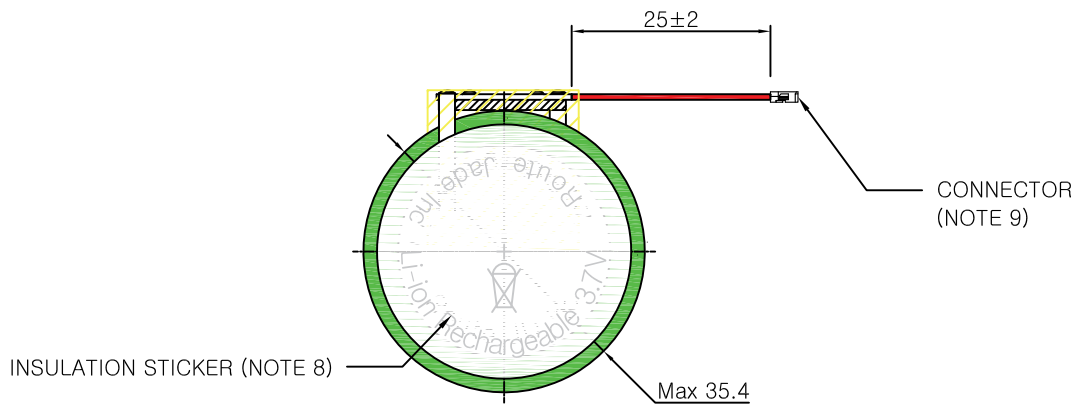


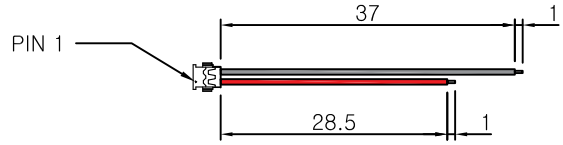


NO		DATE	SIGN	ZONE	REVISIONS	
1		20.09.03	Cha Y.H	-	RELEASED	

1. Battery pack



2. Wire



PIN	CONNECTION	WIRE COLOR	WIRE LENGTH	NOTE
1	+	RED	29.5±1	AWG28
2	-	BLACK	38.0±1	AWG28

Note. UNLESS OTHER SPECIFIED

- BATTERY CELL : Routejade PD3555
- WIRE : AWG28
- PCM : RJD 9901
- POS(+) TO BE RED AND NEG(-) TO BE BLACK
- SHIRINKAGE TUBE
 - COLOR : DEEP GREEN
 - THICKNESS : 0.1t
 - MATERIAL : PVC OR PET
- TAB MATERIAL IS NI PLATE
- INSULATION TAPE
 - MATERIAL IS POLYIMIDE
- INSULATION STICKER
 - WHITE LABEL(0.1t)
 - POSITIVE : ϕ 32
 - NEGATIVE : ϕ 30
- CONNECTOR : MOLEX 78172-0002

1							
No							
Projection:		Customer / Project name:		Description:			
				PD3555HP1W28-25MA2			
Dimensions in mm		Prepared & Checked		Verified & Approved		Dwg.No:	
Tolerance: ±0.5		2020 09/03 Yonghe_Cha		2020 09/03 YH Jung		PD3555HP1W28-25MA2	
Scale: 1/1						RJD Order No:	