

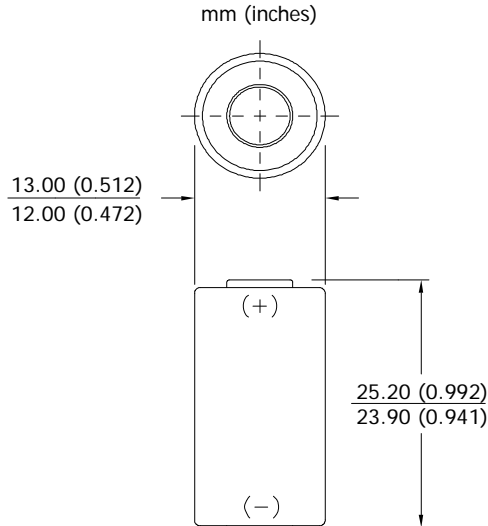
ENERGIZER A544

ZEROMERCURY®

Miniature Alkaline



Industry Standard Dimensions



Designed specifically for photo use

Specifications

- Chemical System:** Manganese Dioxide (MnO₂)
- Designation:** ANSI/NEDA-1414A, IEC-4LR44
- Nominal Voltage:** 6.0 volts
- Typical Weight:** 9.8 grams (0.3 oz)
- Typical Volume:** 3.3 cubic centimeters (0.2 cubic inch)
- Typical Capacity:** 140 mAh to 3.6 volts (rated at 20k ohms at 21°C)
- Cells:** Four No. LR44 in series
- Jacket:** Metal

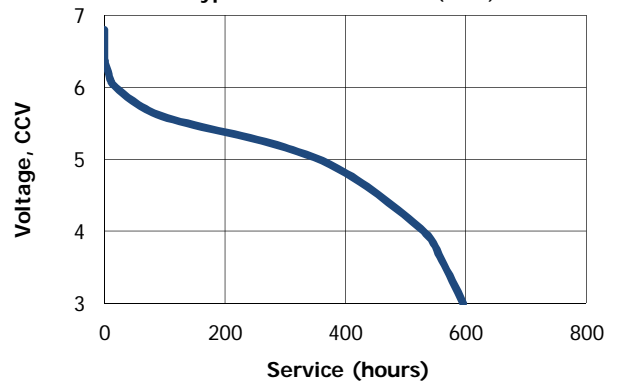
Typical Discharge Characteristics

21°C (70°F)

Schedule (time)	Drain (mA)	Load (ohms)	Cutoff Voltage
			3.6V (hours)
Continuous	0.25	20K	560

Discharge Characteristics

Schedule: Continuous
Typical Load: 20K ohms (21°C)



Important Notice

This datasheet contains typical information specific to products manufactured at the time of its publication.
©Energizer Holdings, Inc. - Contents herein do not constitute a warranty.