

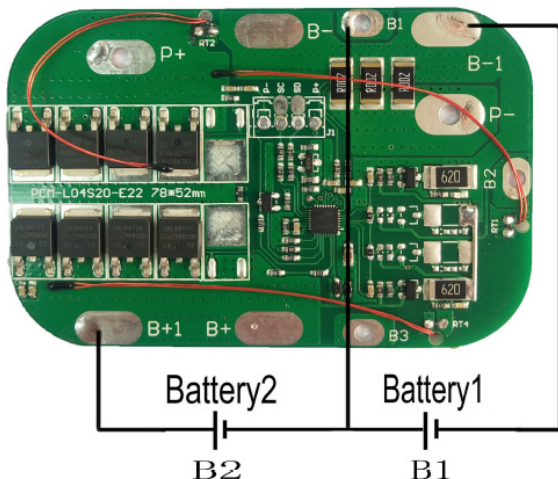


PCM for 7.2/7.4V Lilon Battery Pack

SPECIFICATIONS

No.	Test Item	Criterion	
1	Voltage	Charging voltage	DC:8.40V CC/CV
		Balance voltage for single cell	4.2±0.03V
2	Current	Balance current for single cell	60±5mA
		Low current consumption for single cell	Max20µA
		Maximal continuous charging current	15A
		Maximal continuous discharging current	15A
3	Over Charge Protection	Over charge detection voltage	4.25V±0.05V
		Over charge detection delay time	0.5-2S
		Over charge release voltage	4.15V±0.1V
4	Over Discharge Protection	Over discharge detection voltage	2.50V±0.1V
		Over discharge detection delay time	10-200ms
		Over discharge release voltage	2.5±0.1V
5	Over Current Protection	Over current detection current	30±10A
		Detection delay time	5-60ms
		Release condition	Cut load
6	Short Protection	Detection condition	Exterior short circuit
		Detection delay time	200-800us
		Release condition	Cut load
7	Resistance	Protection circuitry	≤60mΩ
8	Temperature	Operating Temperature Range	-40~+85°C
		Storage Temperature Range	-40~+125°C
9	Dimensions	L 78.0mm x W 52.0mm x T 10.0mm	

IMAGE



P+: Charge+/Discharge+
P-: Charge-/Discharge-

