

Rack Module Bracket for 4RU Batteries -

Metal bracket to ensure battery system stability and allow ventilation.

FEATURES

Enepower rack module bracket suitable for 4RU rack-mount batteries.

Easy to assemble and battery just slides in. Secure battery to the bracket by screwing the battery's mounting flanges to the flanges on the bracket.

Stackable* up to 8 modules high.

To stack, simply line up the brackets, ensuring the top bracket slides into the mounting pins of the bottom bracket and fasten the interlocking clips (two on each side).

*For safety, if stacking brackets, we recommend adding the EBC-BKTWMKIT wall mounting kit to ensure stability. Sold separately.

IMAGES



Fig 1: angle view.



Fig 2: side view.

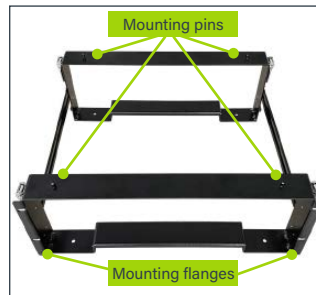


Fig 3: front view - insert battery this way.

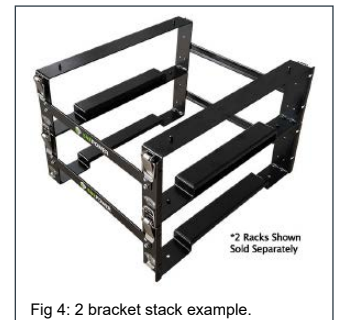
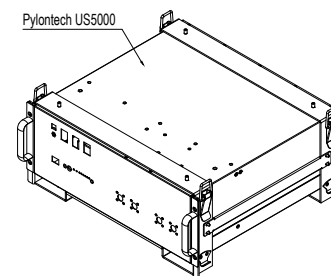
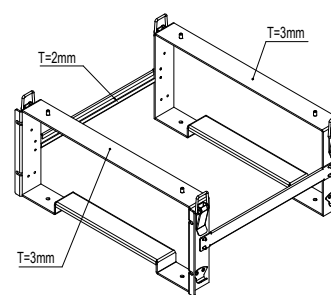
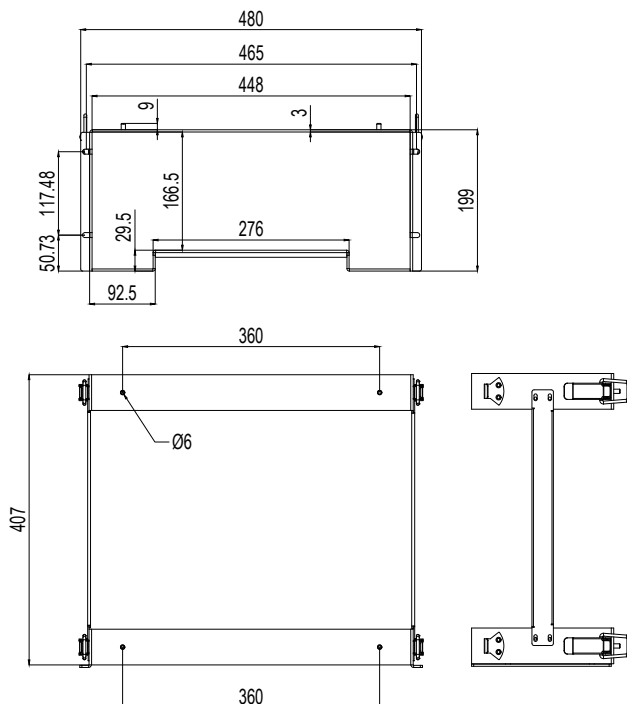
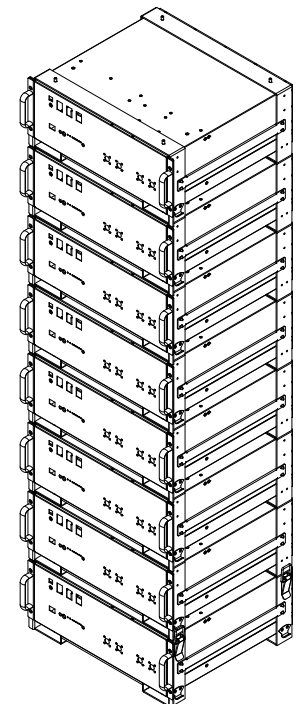


Fig 4: 2 bracket stack example.

DRAWINGS (measurements in mm)



*Batteries depicted are not included.



All specifications are correct at time of creation. All specifications and operation conditions contained in this datasheet are subject to change or improvement without prior notice to the user. This data is for evaluation purposes only. No guarantee is intended or implied by this data. For clarification and updated information, please contact us.