

1

2

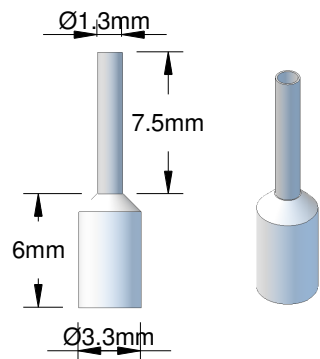
3

4

5

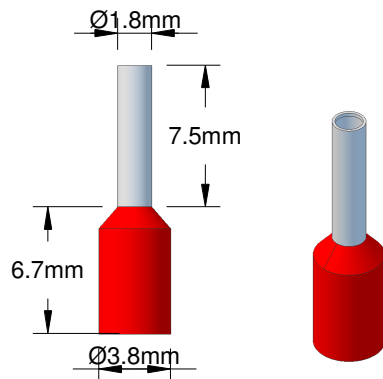
6

BLT1
(20005-870BL1)
Bootlace Terminal



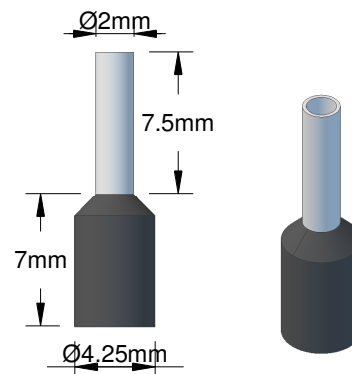
AWG22-28

BLT2
(20005-870BL2)
Bootlace Terminal



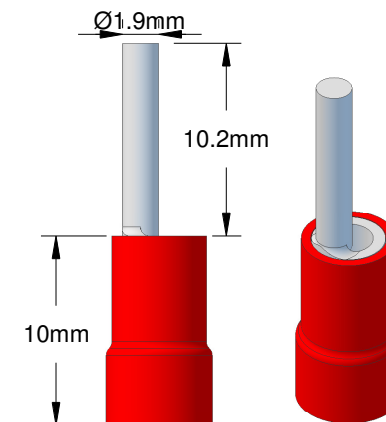
AWG18-20

BLT3
(20005-870BL3)
Bootlace Terminal



AWG14-16

AMP 165168
(20008-857)
Bootlace Terminal



AWG17-20

A

B

C

D

A

B

C

D

Master Instruments

This drawing and the designs so represented are the copyright property of Master Instruments Pty Ltd. The drawing shall not be copied, loaned or issued without the express written permission of a duly authorised representative of Master Instruments Pty Ltd.

PACK VOLTAGE	-
PACK CAPACITY	-
NO. OF CELLS	-
NO. SERIES	-
NO. PARALLEL	-

BOOTLACE TERMINALS

-

11/03/2016

RevNo	Update	Dwg By	Chemistry	Page	Power	Sample	Jig	Charger	Checked By	Approved By
0		BM	-		-	-	-	-		

Form 024_Rev3_07.04.15

1

2

3

4

5

6