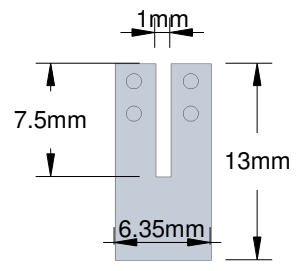


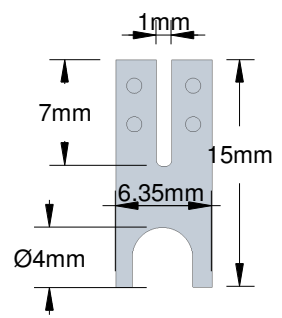
1 2 3 4 5 6

A

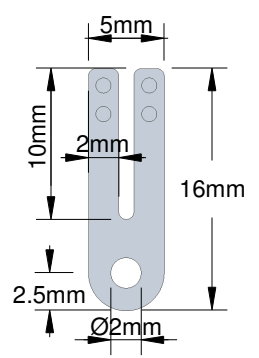
**NCB251**  
0.25mm Thick



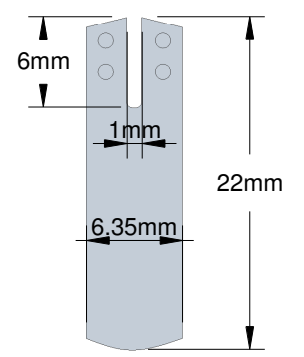
**NCB354**  
0.25mm Thick



**YCP-002**  
(20008-577)  
0.3mm Thick

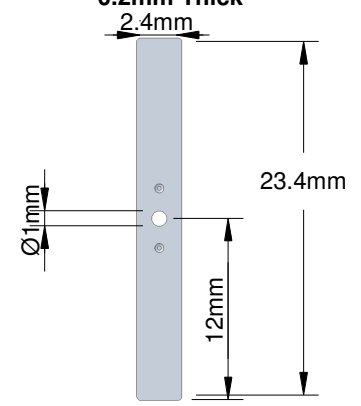


**NCB173**  
0.25mm Thick

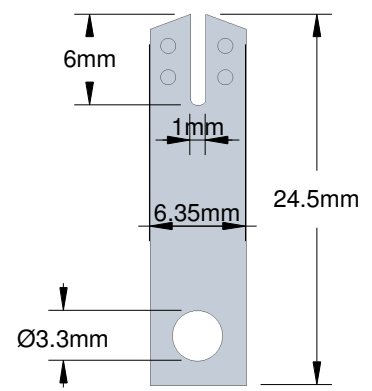


B

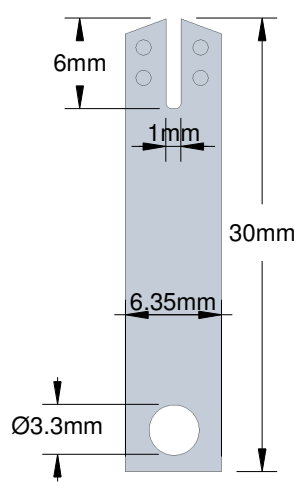
**14049**  
(20008-550)  
0.2mm Thick



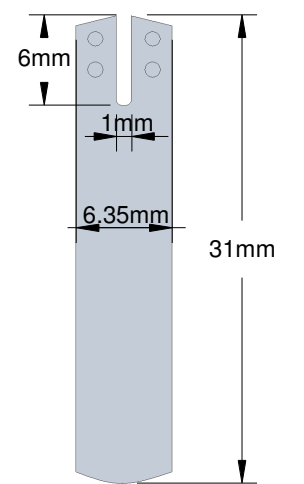
**NCB267**  
0.25mm Thick



**NCB268**  
0.2mm Thick



**NCB210**  
0.25mm Thick



C

D



This drawing and the designs so represented are the copyright property of Master Instruments Pty Ltd. The drawing shall not be copied, loaned or issued without the express written permission of a duly authorised representative of Master Instruments Pty Ltd.

PACK VOLTAGE -		<b>DIMPLE TAGS</b>								-	
PACK CAPACITY -											
NO. OF CELLS -		-								-	
NO. SERIES -											
NO. PARALLEL -		-								11/03/2016	
RevNo	Update										
0		BM	-		-	-	-	-			

1 2 3 4 5 6

1

2

3

4

5

6

A

A

B

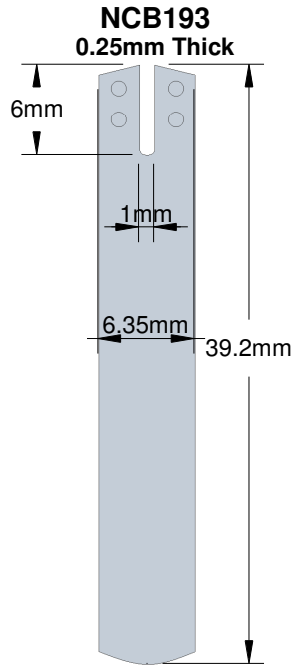
B

C

C

D

D



This drawing and the designs so represented are the copyright property of Master Instruments Pty Ltd. The drawing shall not be copied, loaned or issued without the express written permission of a duly authorised representative of Master Instruments Pty Ltd.

PACK VOLTAGE -		DIMPLE TAGS						-					
PACK CAPACITY -													
NO. OF CELLS -		-				-		11/03/2016					
NO. SERIES -													
NO. PARALLEL -		RevNo		Update	Dwg By	Chemistry	Page	Power	Sample	Jig	Charger	Checked By	Approved By
		0		BM	-			-	-	-			

1

2

3

4

5

6