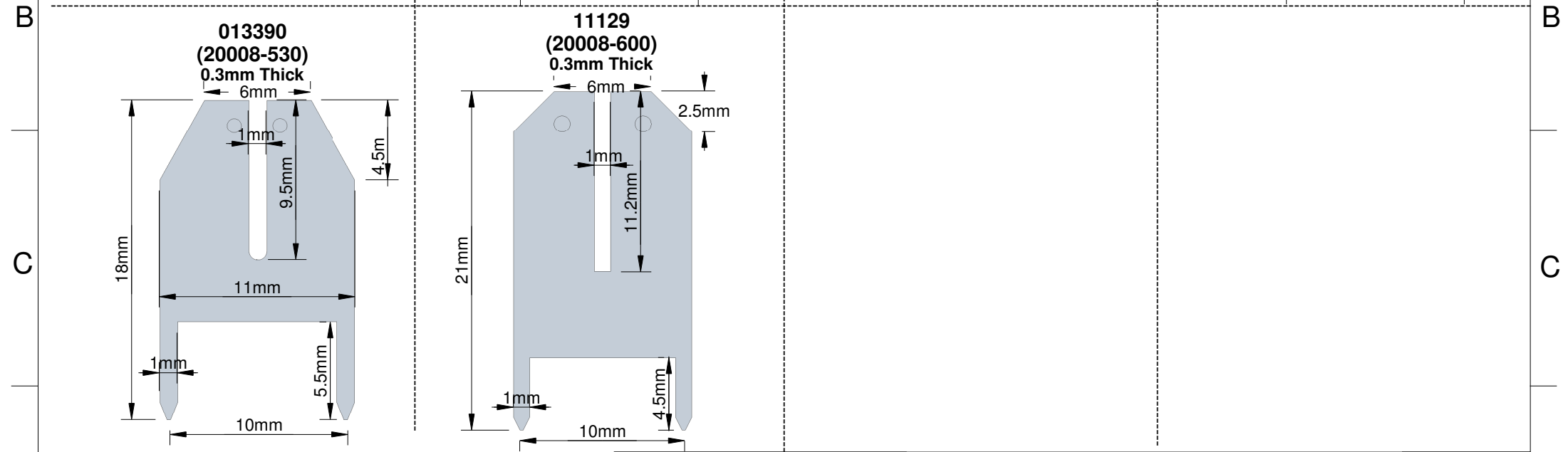
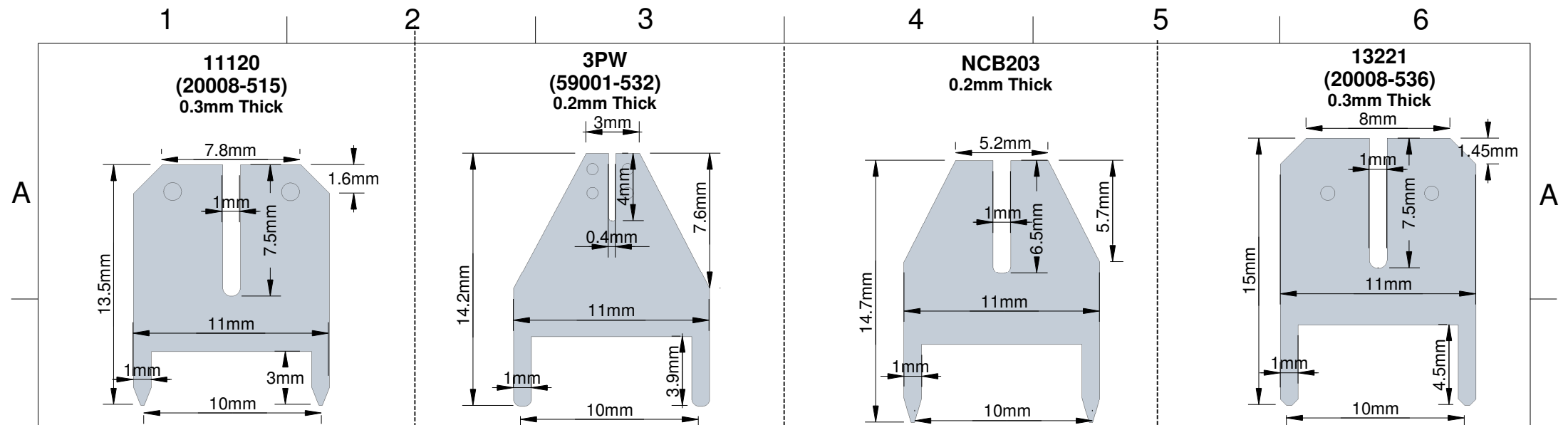


This drawing and the designs so represented are the copyright property of Master Instruments Pty Ltd. The drawing shall not be copied, loaned or issued without the express written permission of a duly authorised representative of Master Instruments Pty Ltd.

PACK VOLTAGE -		DOUBLE PCB PINS (8mm)								
PACK CAPACITY -										
NO. OF CELLS -										
NO. SERIES -										
NO. PARALLEL -										01/03/2016
RevNo	Update	Dwg By	Chemistry	Page	Power	Sample	Jig	Charger	Checked By	Approved By
-		BM	-	1 OF 2	-	-	-	-		



This drawing and the designs so represented are the copyright property of Master Instruments Pty Ltd. The drawing shall not be copied, loaned or issued without the express written permission of a duly authorised representative of Master Instruments Pty Ltd.

PACK VOLTAGE		-		DOUBLE PCB PINS (10mm)						01/03/2016	
PACK CAPACITY		-									
NO. OF CELLS		-		-						-	
NO. SERIES		-									
NO. PARALLEL		-		-						-	
RevNo	Update	Dwg By	Chemistry								
-		BM	-	2 OF 2	-	-	-	-			