

1

2

3

4

5

6

A

A

B

B

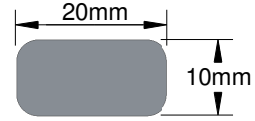
C

C

D

D

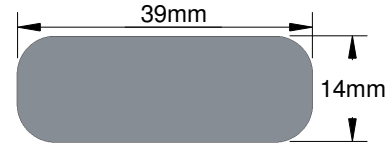
NCB398
0.25mm Thick
Fishpaper



NCB386
0.25mm Thick
Fishpaper



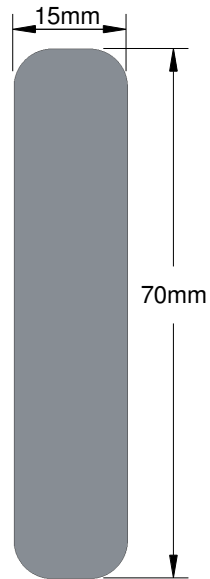
NCB247
0.25mm Thick
Fishpaper



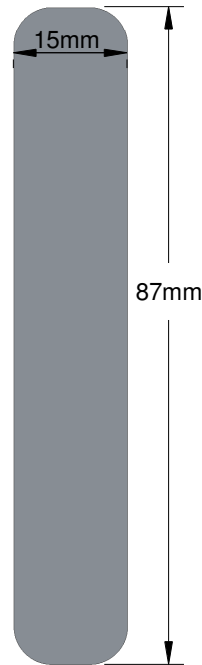
NCB346
0.25mm Thick
Fishpaper



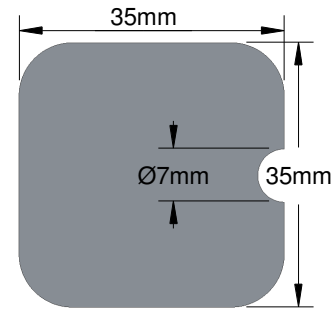
NCB361
0.25mm Thick
Fishpaper



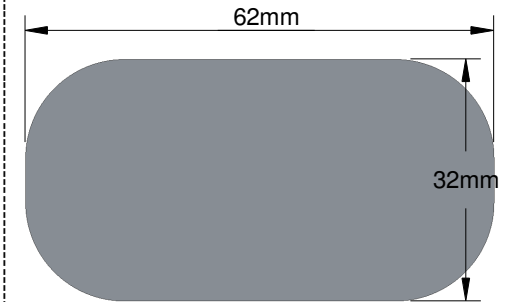
NCB333
0.25mm Thick
Fishpaper



NCB410
0.25mm Thick
Fishpaper



NCB397
0.25mm Thick
Fishpaper



This drawing and the designs so represented are the copyright property of Master Instruments Pty Ltd. The drawing shall not be copied, loaned or issued without the express written permission of a duly authorised representative of Master Instruments Pty Ltd.

PACK VOLTAGE	-
PACK CAPACITY	-
NO. OF CELLS	-
NO. SERIES	-
NO. PARALLEL	-

INSULATION						-
-			-			

-
11/03/2016

RevNo	Update	Dwg By	Chemistry	Page	Power	Sample	Jig	Charger	Checked By	Approved By
0		BM	-		-	-	-	-		

1

2

3

4

5

6

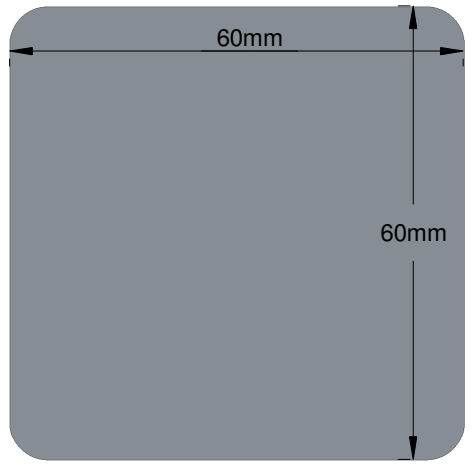
1 2 3 4 5 6

A

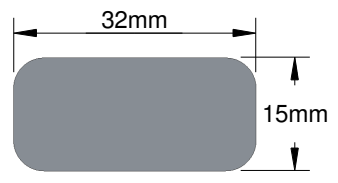
NCB373
0.25mm Thick
Fishpaper



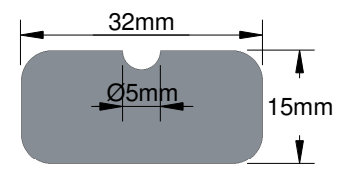
NCB401
0.25mm Thick
Fishpaper



NCB276
0.4mm Thick
Fishpaper

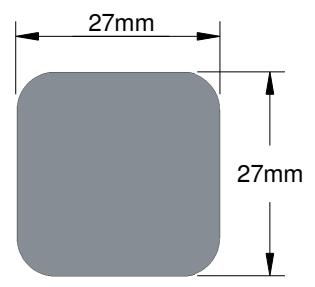


NCB276H
0.4mm Thick
Fishpaper

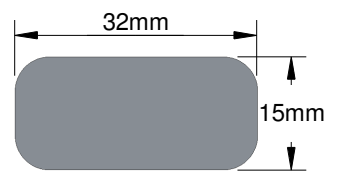


B

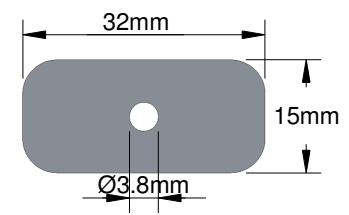
NCB400
0.5mm Thick
Fishpaper



NCB374
0.75mm Thick
Fishpaper



NCB374H
0.75mm Thick
Fishpaper



C

D



This drawing and the designs so represented are the copyright property of Master Instruments Pty Ltd. The drawing shall not be copied, loaned or issued without the express written permission of a duly authorised representative of Master Instruments Pty Ltd.

PACK VOLTAGE -		INSULATION								-	
PACK CAPACITY -											
NO. OF CELLS -											
NO. SERIES -		-				-				11/03/2016	
NO. PARALLEL -		-		-		-		-		-	
RevNo	Update	Dwg By	Chemistry	Page	Power	Sample	Jig	Charger	Checked By	Approved By	
0		BM	-		-	-	-	-			

1 2 3 4 5 6

1

2

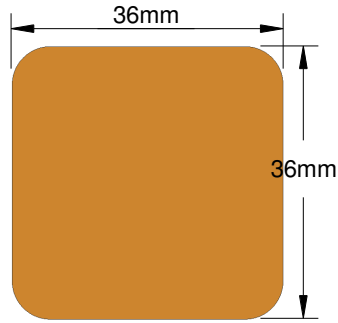
3

4

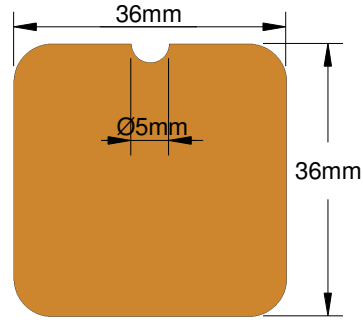
5

6

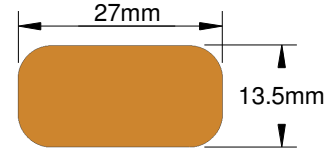
NCB363
0.25mm Thick
Elephantide



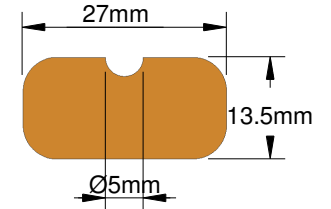
NCB363H
0.25mm Thick
Elephantide



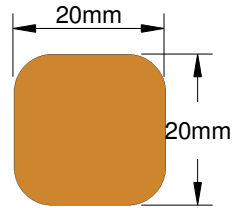
NCB396
0.4mm Thick
Elephantide



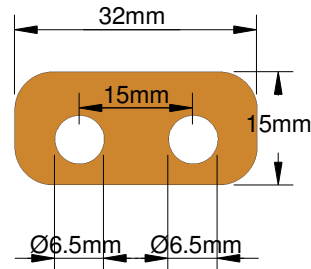
NCB396H
0.4mm Thick
Elephantide



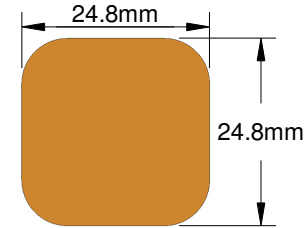
NCB375
0.4mm Thick
Elephantide



NCB276A
0.4mm Thick
Elephantide



NCB266A
0.4mm Thick
Elephantide



NCB357
0.4mm Thick
Elephantide



A

A

B

B

C

C

D

D



This drawing and the designs so represented are the copyright property of Master Instruments Pty Ltd. The drawing shall not be copied, loaned or issued without the express written permission of a duly authorised representative of Master Instruments Pty Ltd.

PACK VOLTAGE -		INSULATION								-	
PACK CAPACITY -											
NO. OF CELLS -											
NO. SERIES -		-				-				11/03/2016	
NO. PARALLEL -											
RevNo	Update	Dwg By	Chemistry	Page	Power	Sample	Jig	Charger	Checked By	Approved By	
0		BM	-		-	-	-	-			

1

2

3

4

5

6

1

2

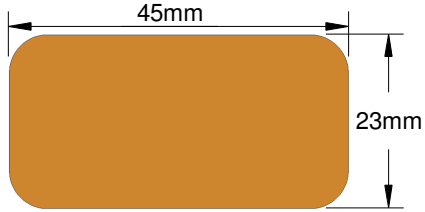
3

4

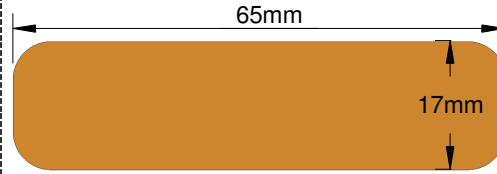
5

6

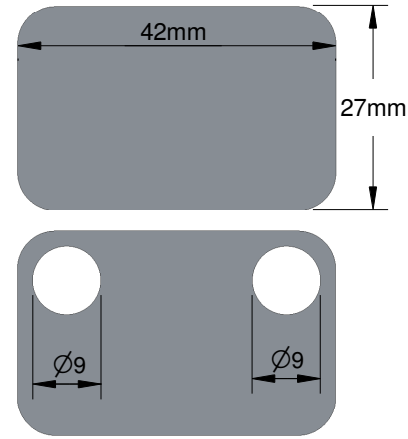
NCB388
0.4mm Thick
Elephantide



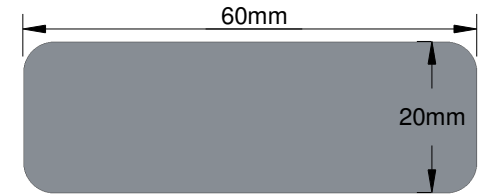
NCB391
0.4mm Thick
Elephantide



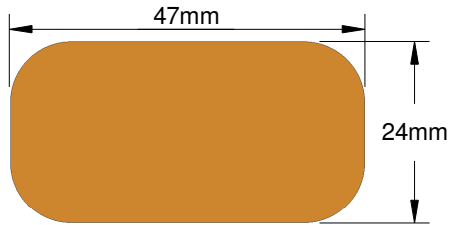
NCB263
0.4mm Thick
Elephantide



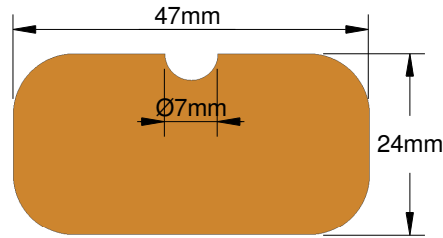
NCB264
0.4mm Thick
Elephantide



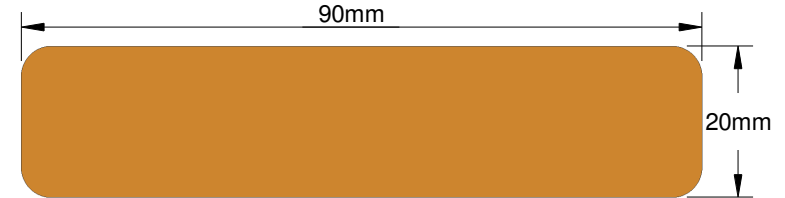
NCB313
0.4mm Thick
Elephantide



NCB313H
0.4mm Thick
Elephantide



NCB228
0.4mm Thick
Elephantide



This drawing and the designs so represented are the copyright property of Master Instruments Pty Ltd. The drawing shall not be copied, loaned or issued without the express written permission of a duly authorised representative of Master Instruments Pty Ltd.

PACK VOLTAGE -		INSULATION								-													
PACK CAPACITY -																							
NO. OF CELLS -																							
NO. SERIES -		-				-				11/03/2016													
NO. PARALLEL -		RevNo		Update		Dwg By		Chemistry		Page		Power		Sample		Jig		Charger		Checked By		Approved By	
		0				BM		-				-		-		-							

1

2

3

4

5

6

A

A

B

B

C

C

D

D

1

2

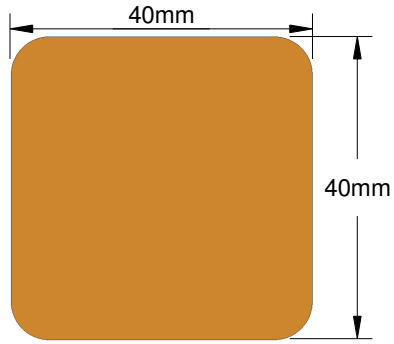
3

4

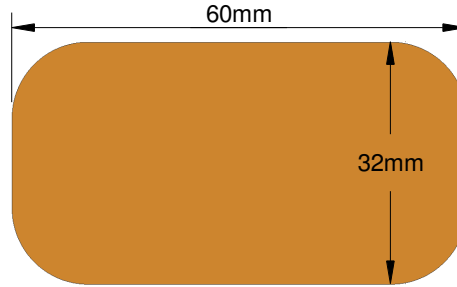
5

6

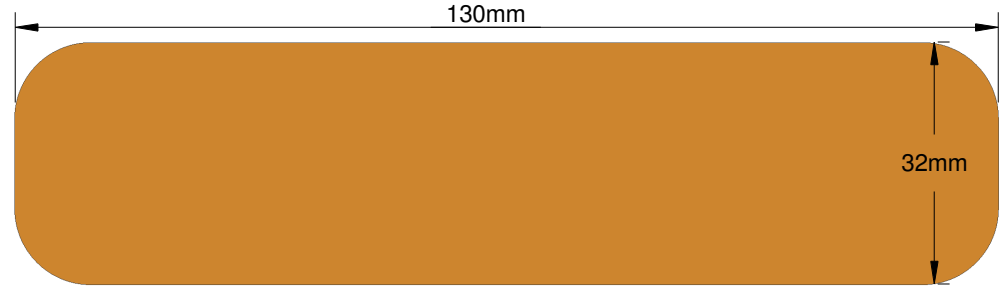
NCB281
0.4mm Thick
Elephantide



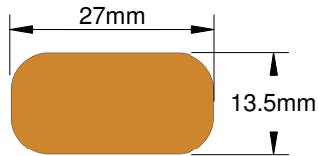
NCB275
0.4mm Thick
Elephantide



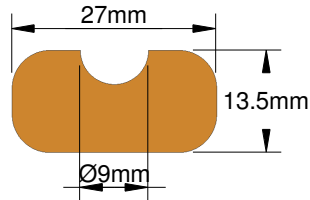
NCB274
0.4mm Thick
Elephantide



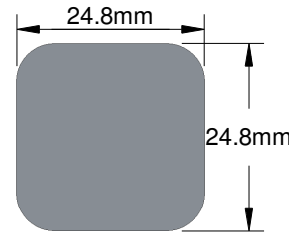
NCB279
0.8mm Thick
Elephantide



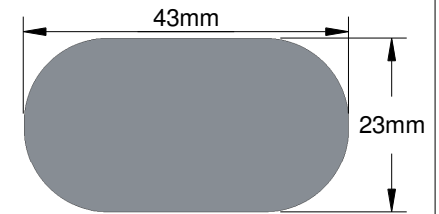
NCB279H
0.8mm Thick
Elephantide



NCB266
0.8mm Thick
Elephantide



NCB092
0.8mm Thick
Elephantide



A

A

B

B

C

C

D

D



This drawing and the designs so represented are the copyright property of Master Instruments Pty Ltd. The drawing shall not be copied, loaned or issued without the express written permission of a duly authorised representative of Master Instruments Pty Ltd.

PACK VOLTAGE -		INSULATION								-													
PACK CAPACITY -																							
NO. OF CELLS -																							
NO. SERIES -		-				-				11/03/2016													
NO. PARALLEL -		RevNo		Update		Dwg By		Chemistry		Page		Power		Sample		Jig		Charger		Checked By		Approved By	
		0				BM		-				-		-		-		-					

1

2

3

4

5

6

1

2

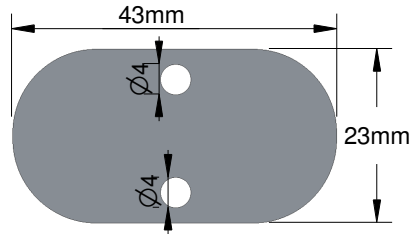
3

4

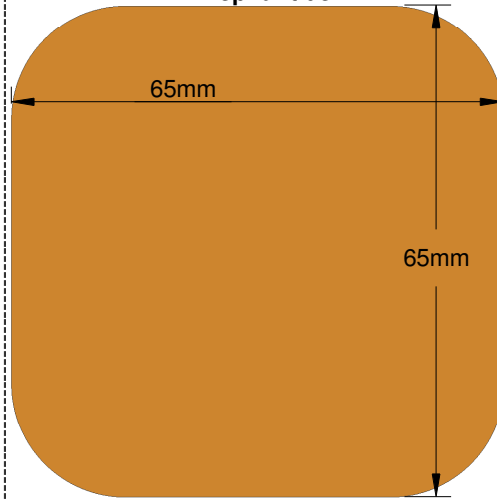
5

6

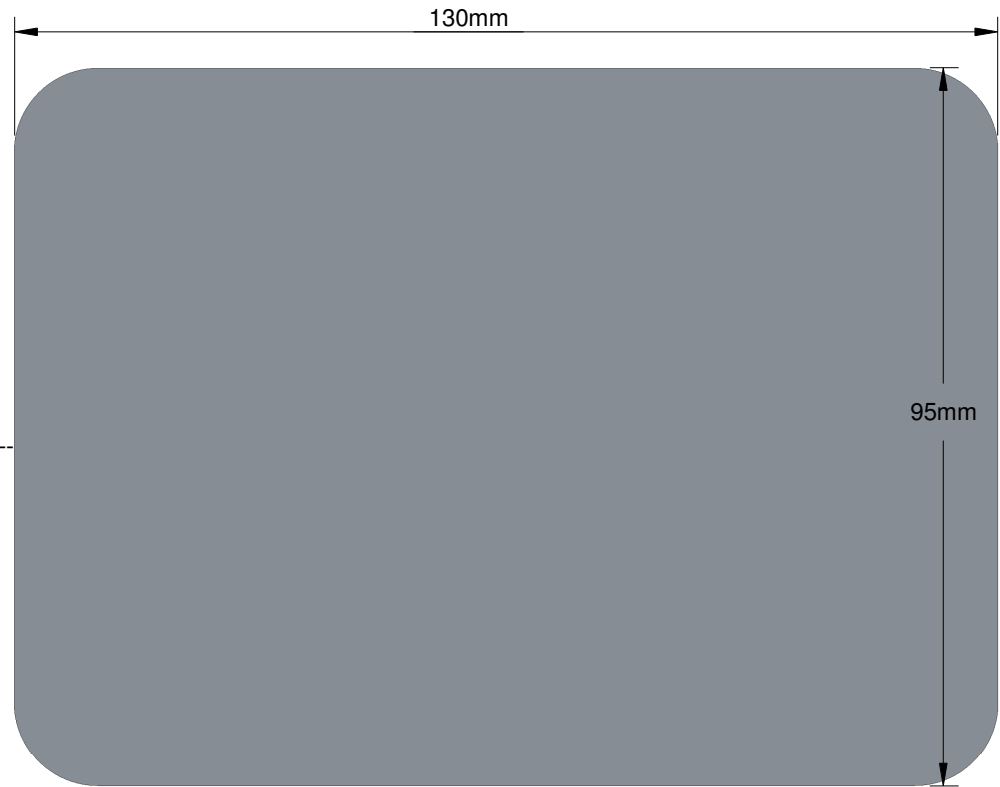
NCB092H
0.8mm Thick
Elephantide



NCB364
1.5mm Thick
Elephantide



NCB384
0.8mm Thick
Elephantide



A

B

C

D

A

B

C

D



This drawing and the designs so represented are the copyright property of Master Instruments Pty Ltd. The drawing shall not be copied, loaned or issued without the express written permission of a duly authorised representative of Master Instruments Pty Ltd.

PACK VOLTAGE -		INSUALTION						-		
PACK CAPACITY -										
NO. OF CELLS -		-		-		11/03/2016				
NO. SERIES -										
NO. PARALLEL -										
RevNo	Update	Dwg By	Chemistry	Page	Power	Sample	Jig	Charger	Checked By	Approved By
0		BM	-		-	-	-	-		

1

2

3

4

5

6

1

2

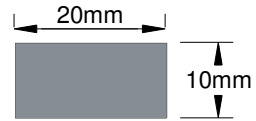
3

4

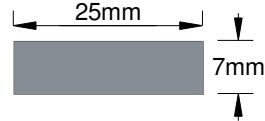
5

6

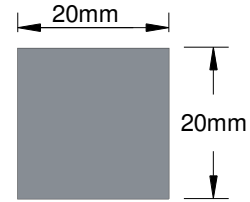
NCB377
0.25mm Thick
Fishpaper



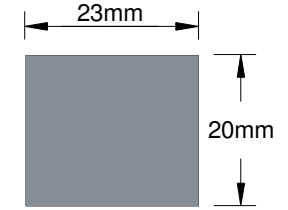
NCB305
0.25mm Thick
Fishpaper



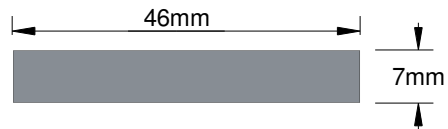
NCB412
0.25mm Thick
Fishpaper



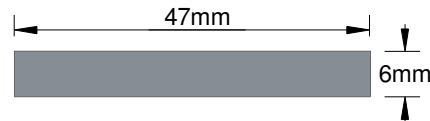
NCB413
0.25mm Thick
Fishpaper



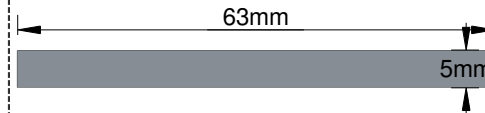
NCB306
0.25mm Thick
Fishpaper



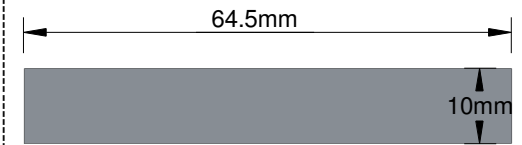
NCB334
0.25mm Thick
Fishpaper



NCB332
0.25mm Thick
Fishpaper



NCB385
0.25mm Thick
Fishpaper



This drawing and the designs so represented are the copyright property of Master Instruments Pty Ltd. The drawing shall not be copied, loaned or issued without the express written permission of a duly authorised representative of Master Instruments Pty Ltd.

PACK VOLTAGE	-
PACK CAPACITY	-
NO. OF CELLS	-
NO. SERIES	-
NO. PARALLEL	-

INSULATION	
-	-

-
11/03/2016

RevNo	Update	Dwg By	Chemistry	Page	Power	Sample	Jig	Charger	Checked By	Approved By
0		BM	-		-	-	-	-		

1

2

3

4

5

6

A

A

B

B

C

C

D

D

1

2

3

4

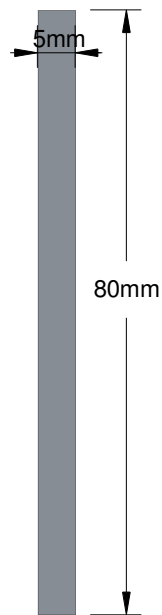
5

6

NCB389
0.25mm Thick
Fishpaper



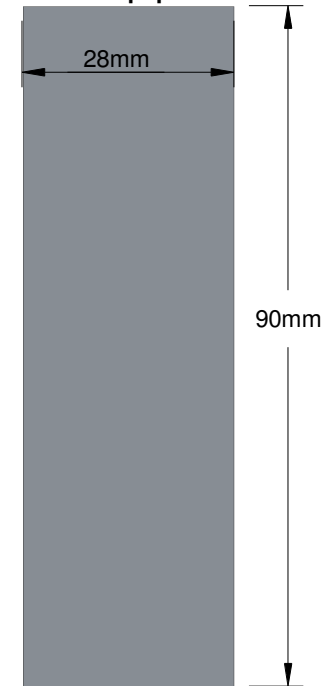
NCB407
0.25mm Thick
Fishpaper



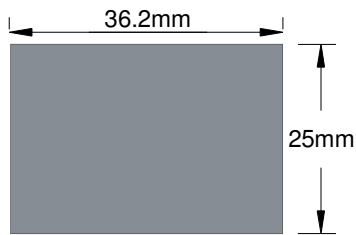
NCB353
0.25mm Thick
Fishpaper



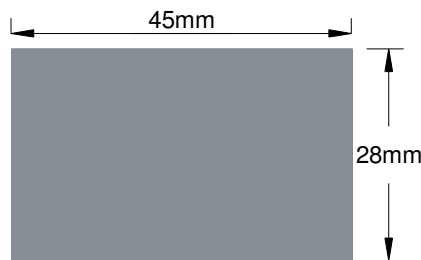
NCB308
0.25mm Thick
Fishpaper



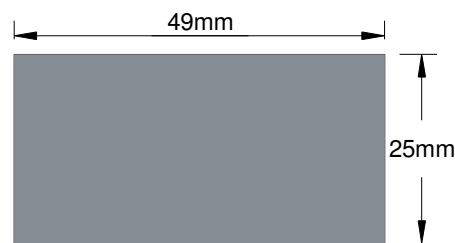
NCB345
0.5mm Thick
Fishpaper



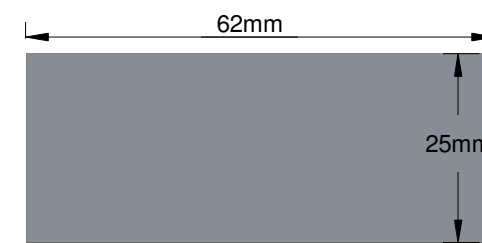
NCB307
0.25mm Thick
Fishpaper



NCB341
0.5mm Thick
Fishpaper



NCB349
0.25mm Thick
Fishpaper



This drawing and the designs so represented are the copyright property of Master Instruments Pty Ltd. The drawing shall not be copied, loaned or issued without the express written permission of a duly authorised representative of Master Instruments Pty Ltd.

PACK VOLTAGE	-
PACK CAPACITY	-
NO. OF CELLS	-
NO. SERIES	-
NO. PARALLEL	-

INSULATION									
-									
-					-				
11/03/2016									

-
11/03/2016

RevNo	Update	Dwg By	Chemistry	Page	Power	Sample	Jig	Charger	Checked By	Approved By
0		BM	-		-	-	-	-		

1

2

3

4

5

6

1 2 3 4 5 6

A

B

C

D

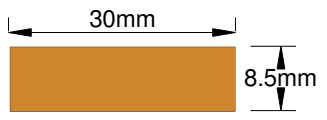
A

B

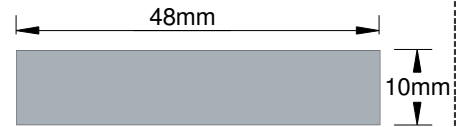
C

D

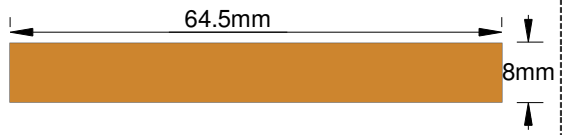
NCB293
0.4mm Thick
Elephantide



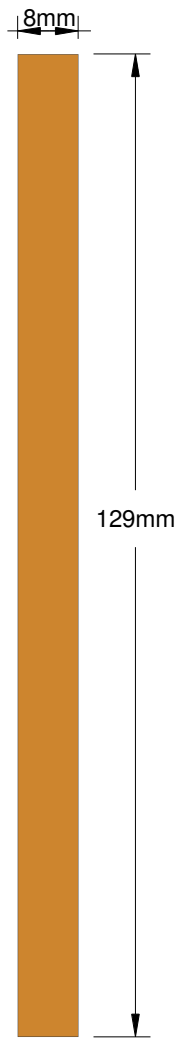
NCB310
0.25mm Thick
Elephantide



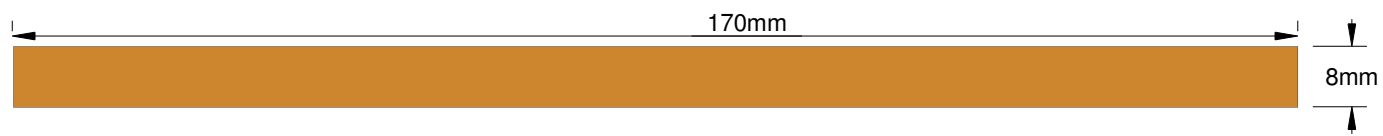
NCB296
0.4mm Thick
Elephantide



NCB285
0.4mm Thick
Elephantide



NCB286
0.4mm Thick
Elephantide



This drawing and the designs so represented are the copyright property of Master Instruments Pty Ltd. The drawing shall not be copied, loaned or issued without the express written permission of a duly authorised representative of Master Instruments Pty Ltd.

PACK VOLTAGE -		INSULATION								-	
PACK CAPACITY -											
NO. OF CELLS -											
NO. SERIES -											
NO. PARALLEL -										11/03/2016	
RevNo	Update	Dwg By	Chemistry	Page	Power	Sample	Jig	Charger	Checked By	Approved By	
0		BM	-		-	-	-	-			

1 2 3 4 5 6

1

2

3

4

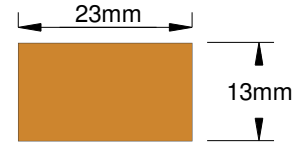
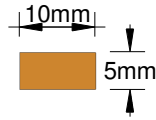
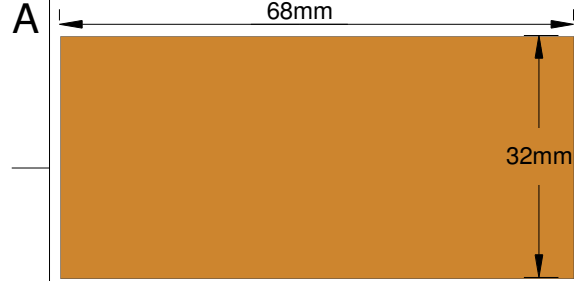
5

6

NCB394
0.4mm Thick
Elephantide

NCB330
1.5mm Thick
Elephantide

NCB352
1.5mm Thick
Elephantide



A

A

B

B

C

C

D

D



This drawing and the designs so represented are the copyright property of Master Instruments Pty Ltd. The drawing shall not be copied, loaned or issued without the express written permission of a duly authorised representative of Master Instruments Pty Ltd.

PACK VOLTAGE -		INSULATION								-	
PACK CAPACITY -											
NO. OF CELLS -											
NO. SERIES -		-				-				11/03/2016	
NO. PARALLEL -											
RevNo	Update	Dwg By	Chemistry	Page	Power	Sample	Jig	Charger	Checked By	Approved By	
0		BM	-		-	-	-	-			

1

2

3

4

5

6

1

2

3

4

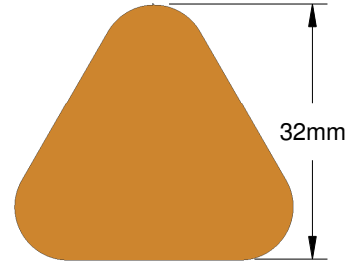
5

6

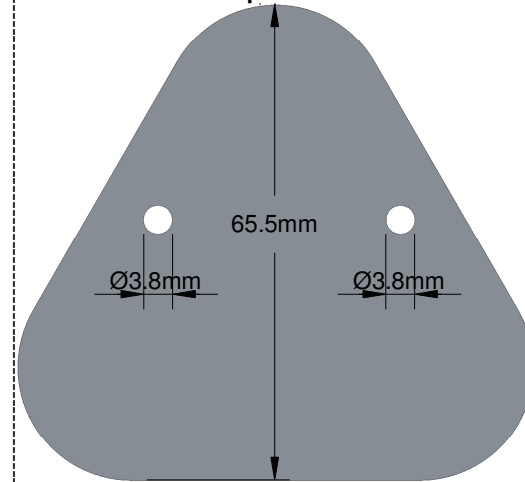
NCB390
0.4mm Thick
Elephantide



NCB404
0.4mm Thick
Elephantide



NCB088
0.8mm Thick
Elephantide



A

A

B

B

C

C

D

D



This drawing and the designs so represented are the copyright property of Master Instruments Pty Ltd. The drawing shall not be copied, loaned or issued without the express written permission of a duly authorised representative of Master Instruments Pty Ltd.

Form 024_Rev3_07.04.15

PACK VOLTAGE -		INSULATION								-	
PACK CAPACITY -											
NO. OF CELLS -											
NO. SERIES -		-				-				11/03/2016	
NO. PARALLEL -											
RevNo	Update	Dwg By	Chemistry	Page	Power	Sample	Jig	Charger	Checked By	Approved By	
0		BM	-		-	-	-	-			

1

2

3

4

5

6

1

2

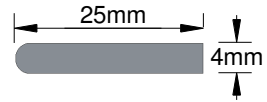
3

4

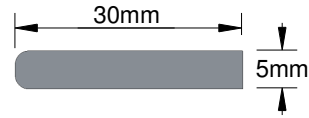
5

6

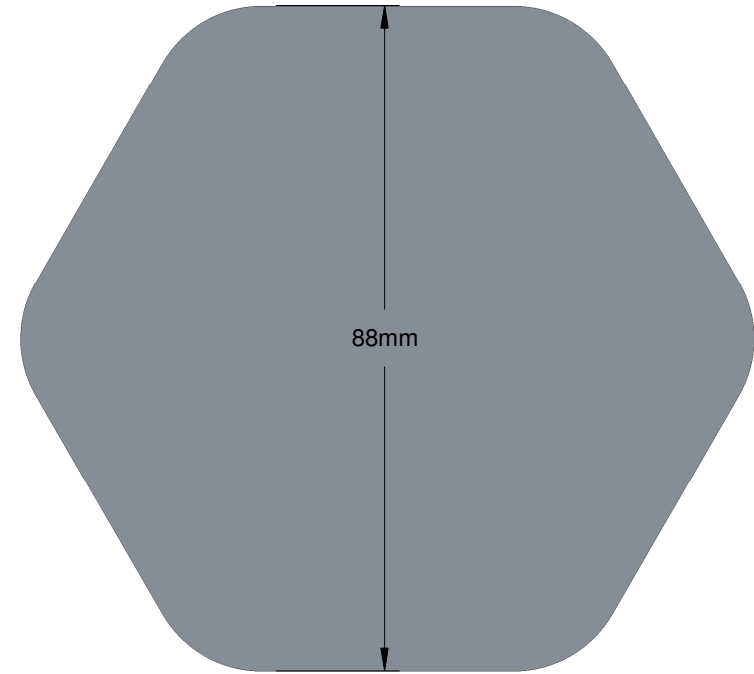
NCB372
0.25mm Thick
Fishpaper



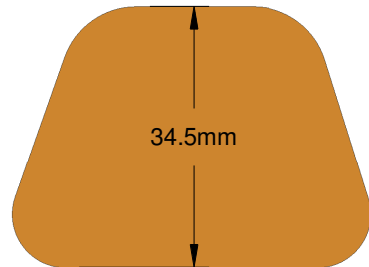
NCB367
0.25mm Thick
Fishpaper



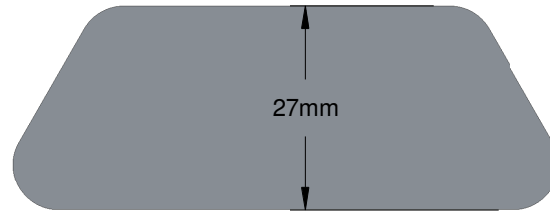
NCB381
0.4mm Thick
Elephantide



NCB368
0.4mm Thick
Elephantide



NCB383
0.8mm Thick
Elephantide



This drawing and the designs so represented are the copyright property of Master Instruments Pty Ltd. The drawing shall not be copied, loaned or issued without the express written permission of a duly authorised representative of Master Instruments Pty Ltd.

PACK VOLTAGE -		INSUALTION				-				
PACK CAPACITY -										
NO. OF CELLS -		-		-		11/03/2016				
NO. SERIES -										
NO. PARALLEL -										
RevNo	Update	Dwg By	Chemistry	Page	Power	Sample	Jig	Charger	Checked By	Approved By
0		BM	-		-	-	-	-		

1

2

3

4

5

6

A

B

C

D

A

B

C

D

1

2

3

4

5

6

NCB382
0.8mm Thick
Elephantide

A

A

B

B

C

C



126mm

113mm

D

D



This drawing and the designs so represented are the copyright property of Master Instruments Pty Ltd. The drawing shall not be copied, loaned or issued without the express written permission of a duly authorised representative of Master Instruments Pty Ltd.

PACK VOLTAGE -		INSULATION						-		
PACK CAPACITY -										
NO. OF CELLS -		-			-			11/03/2016		
NO. SERIES -										
NO. PARALLEL -										
RevNo	Update	Dwg By	Chemistry	Page	Power	Sample	Jig	Charger	Checked By	Approved By
0		BM	-		-	-	-	-		

1

2

3

4

5

6

1

2

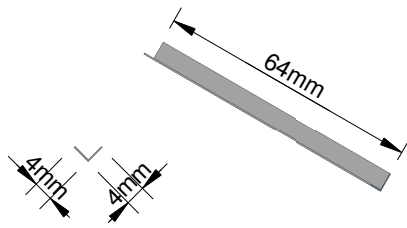
3

4

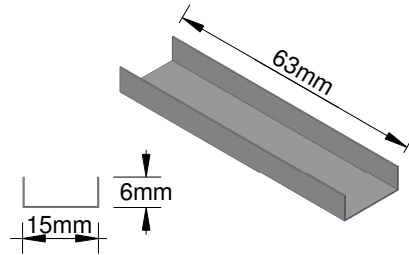
5

6

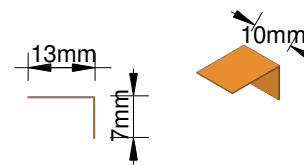
NCB378
0.25mm Thick
Fishpaper



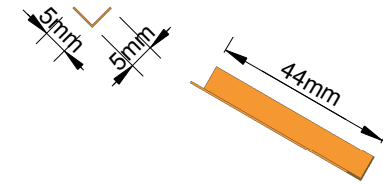
NCB369
0.25mm Thick
Fishpaper



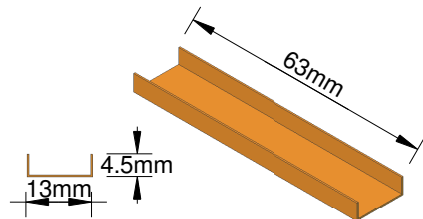
NCB187
0.4mm Thick
Elephantide



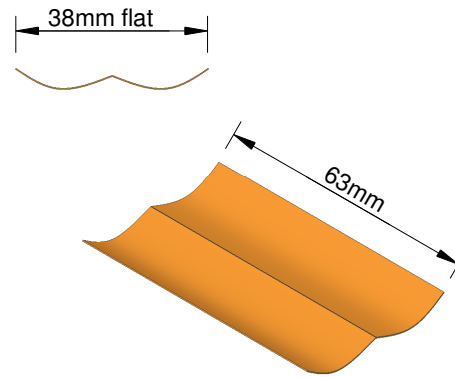
NCB236
0.4mm Thick
Elephantide



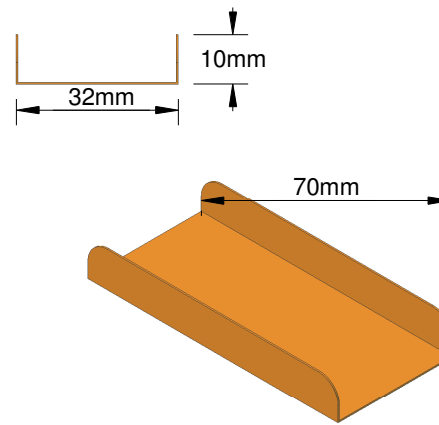
NCB303
0.4mm Thick
Elephantide



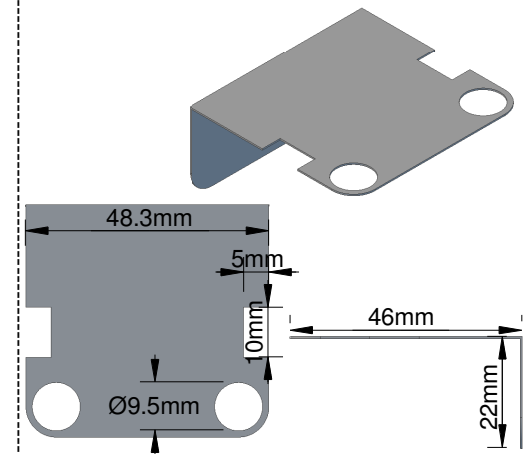
NCB304
0.4mm Thick
Elephantide



NCB145
0.4mm Thick
Elephantide



NCB252
0.4mm Thick
Elephantide



A

A

B

B

C

C

D

D



This drawing and the designs so represented are the copyright property of Master Instruments Pty Ltd. The drawing shall not be copied, loaned or issued without the express written permission of a duly authorised representative of Master Instruments Pty Ltd.

PACK VOLTAGE -		INSULATION								-	
PACK CAPACITY -											
NO. OF CELLS -											
NO. SERIES -											
NO. PARALLEL -										11/03/2016	
RevNo	Update	Dwg By	Chemistry	Page	Power	Sample	Jig	Charger	Checked By	Approved By	
0		BM	-		-	-	-	-			

1

2

3

4

5

6

1

2

3

4

5

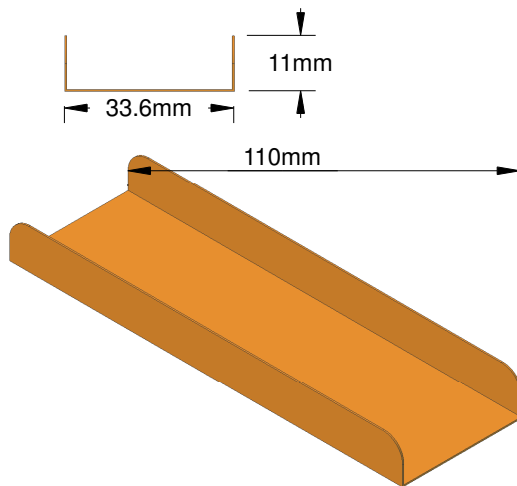
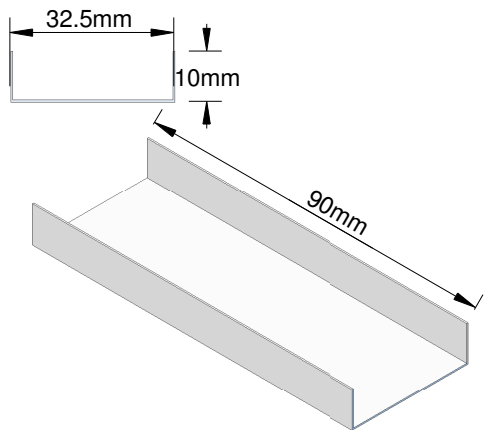
6

NCB145A
0.5mm Thick
Plastic

NCB145B
0.4mm Thick
Elephantide

A

A



B

B

C

C

D

D



This drawing and the designs so represented are the copyright property of Master Instruments Pty Ltd. The drawing shall not be copied, loaned or issued without the express written permission of a duly authorised representative of Master Instruments Pty Ltd.

PACK VOLTAGE -		INSULATION								-	
PACK CAPACITY -											
NO. OF CELLS -											
NO. SERIES -		-				-				11/03/2016	
NO. PARALLEL -											
RevNo	Update	Dwg By	Chemistry	Page	Power	Sample	Jig	Charger	Checked By	Approved By	
0		BM	-		-	-	-	-			

1

2

3

4

5

6