

1

2

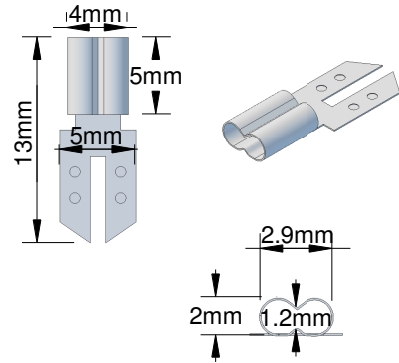
3

4

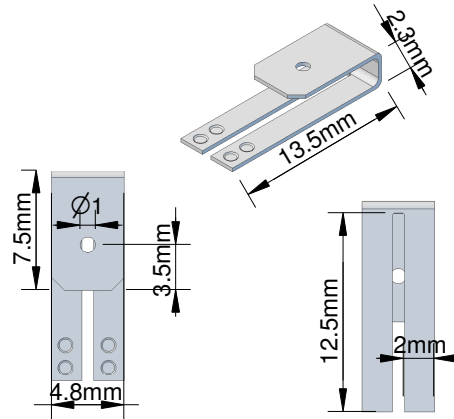
5

6

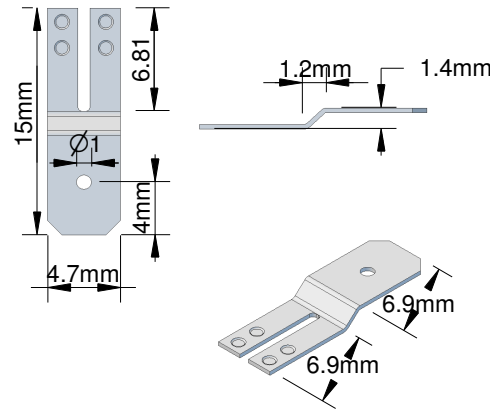
**STFWR-2.9mm**  
**(20008-843WT)**  
0.2mm Thick



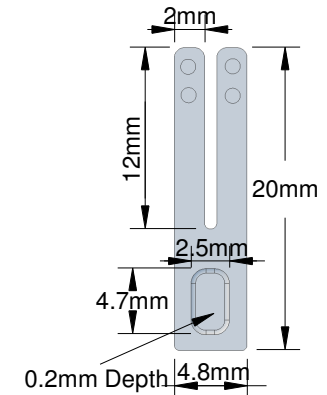
**YCP-008**  
**(20008-599)**  
0.4mm Thick



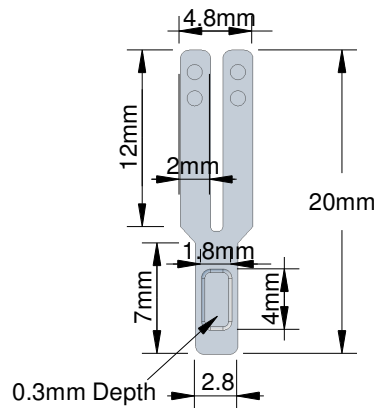
**YCP-009**  
**(20008-598)**  
0.4mm Thick



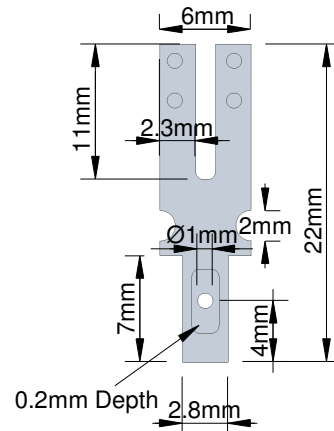
**YCP-003**  
**(20008-600)**  
0.4mm Thick



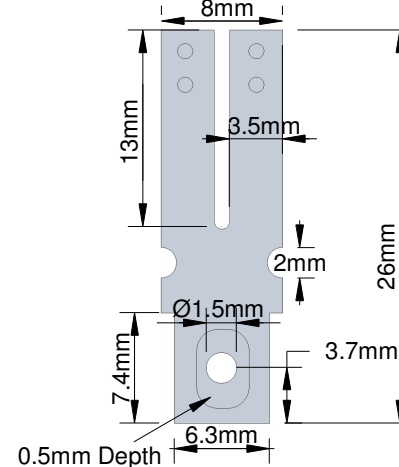
**YCP-004**  
**(20008-592)**  
0.4mm Thick



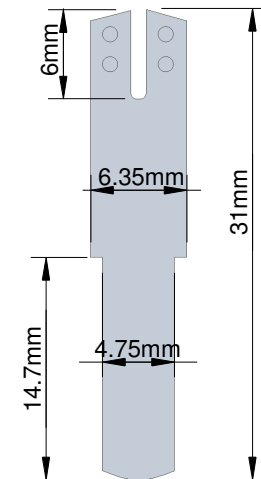
**YCP-007**  
**(20008-591)**  
0.4mm Thick



**YCP-029**  
**(20008-606)**  
0.4mm Thick



**NCB288**  
0.3mm Thick



A

B

C

D

A

B

C

D



This drawing and the designs so represented are the copyright property of Master Instruments Pty Ltd. The drawing shall not be copied, loaned or issued without the express written permission of a duly authorised representative of Master Instruments Pty Ltd.

PACK VOLTAGE		-		SPADE TERMINALS				-																	
PACK CAPACITY		-																							
NO. OF CELLS		-		-				11/03/2016																	
NO. SERIES		-																							
NO. PARALLEL		-		RevNo		Update		Dwg By		Chemistry		Page		Power		Sample		Jig		Charger		Checked By		Approved By	
0				BM		-																			

1

2

3

4

5

6

1

2

3

4

5

6

A

A

B

B

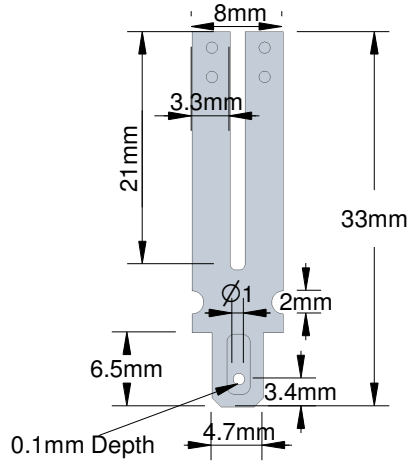
C

C

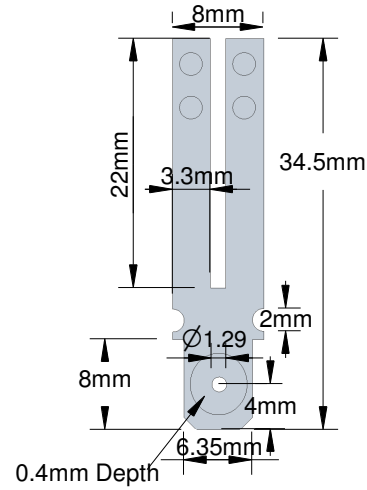
D

D

**YCP-006**  
**(20008-597)**  
**0.4mm Thick**



**YCP-005**  
**(20008-605)**  
**0.5mm Thick**



This drawing and the designs so represented are the copyright property of Master Instruments Pty Ltd. The drawing shall not be copied, loaned or issued without the express written permission of a duly authorised representative of Master Instruments Pty Ltd.

PACK VOLTAGE	-
PACK CAPACITY	-
NO. OF CELLS	-
NO. SERIES	-
NO. PARALLEL	-

<b>SPADE TERMINALS</b>								-	
-				-				11/03/2016	

RevNo	Update	Dwg By	Chemistry	Page	Power	Sample	Jig	Charger	Checked By	Approved By
0		BM	-		-	-	-	-		

1

2

3

4

5

6