

### PART NUMBERS & SPECIFICATIONS

Drypower Lead Acid batteries come with applicable busbars and terminal protectors included as below. Accessory Part No's are provided for reference or for ordering extra parts.

Battery Model No.	Stock Code	Accessory Part No	Description	Remark
2SB80HP-FR 2SB110HP-FR	60001-080	BUSBAR 03050846	Busbar Connector A	W30mm*L96mm*T4mm, M8 (not included with battery)
	60001-081	BUSBAR 03050847	Busbar Connector B	W30mm*L115mm*T4mm, M8
	60001-085	03060028R RED	Terminal protector +	W35.6mm*L51.8mm*H26.8mm
	60001-086	03060028B BLACK	Terminal protector -	W35.6mm*L51.8mm*H26.8mm
2SB220HP-FR 2SB330HP-FR	60001-082	BUSBAR 03050848	Busbar Connector	W30mm*L139mm*T4mm, M8
	60001-085	03060028R RED	Terminal protector +	W35.6mm*L51.8mm*H26.8mm
	60001-086	03060028B BLACK	Terminal protector -	W35.6mm*L51.8mm*H26.8mm
2SB430HP-FR 2SB480HP-FR	60001-083	BUSBAR 03050849	Busbar Connector	W30mm*L165mm*T4mm, M8
	60001-085	03060028R RED	Terminal protector +	W35.6mm*L51.8mm*H26.8mm
	60001-086	03060028B BLACK	Terminal protector -	W35.6mm*L51.8mm*H26.8mm
2SB530HP-FR 2SB650HP-FR	60001-082	BUSBAR 03050848	Busbar Connector	W30mm*L139mm*T4mm, M8
	60001-085	03060028R RED	Terminal protector +	W35.6mm*L51.8mm*H26.8mm
	60001-086	03060028B BLACK	Terminal protector -	W35.6mm*L51.8mm*H26.8mm
12TP110AFT-FR	60001-090	BUSBAR 03050837	Busbar Connector	W25mm*L96mm*T2.5mm, M8
12TP105HFT-FR	60001-089	BUSBAR 03050880	Busbar Connector	W25mm*L96mm*T2.5mm, M6
12TP140FT-FR	60001-090	BUSBAR 03050837	Busbar Connector	W25mm*L96mm*T2.5mm, M8
12TP160FT-FR	60001-090	BUSBAR 03050837	Busbar Connector	W25mm*L96mm*T2.5mm, M8
12TP180FT-FR	60001-091	BUSBAR 03050878	Busbar Connector	W25mm*L107mm*T2.5mm, M8
12HT105FT-FR	60001-090	BUSBAR 03050837	Busbar Connector	W25mm*L96mm*T2.5mm, M8
12PLG155FTTS-FR	60001-090	BUSBAR 03050837	Busbar Connector	W25mm*L96mm*T2.5mm, M8
12PLG215TS	60001-084	BUSBAR 03050841	Busbar Connector	W18mm*L134mm*T2.5mm, M8
	60001-087	03060027R RED	Terminal protector +	W23.6mm*L49.8mm*H20mm
	60001-088	03060027B BLACK	Terminal protector -	W23.6mm*L49.8mm*H20mm
2PLG520TS 2PLG630TS	60001-080	BUSBAR 03050846	Busbar Connector	W30mm*L96mm*T4mm, M8
	60001-085	03060028R RED	Terminal protector +	W35.6mm*L51.8mm*H26.8mm
	60001-086	03060028B BLACK	Terminal protector -	W35.6mm*L51.8mm*H26.8mm

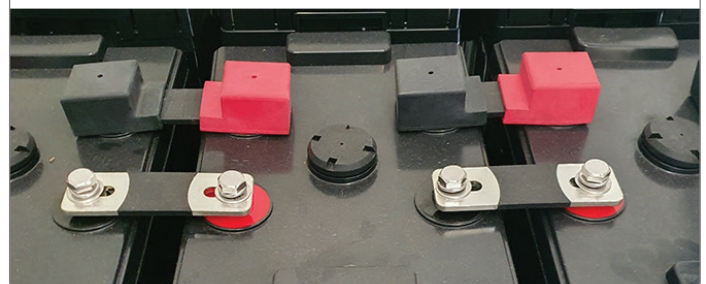
#### BUSBAR CONNECTOR



#### BUSBAR + TERMINAL PROTECTOR



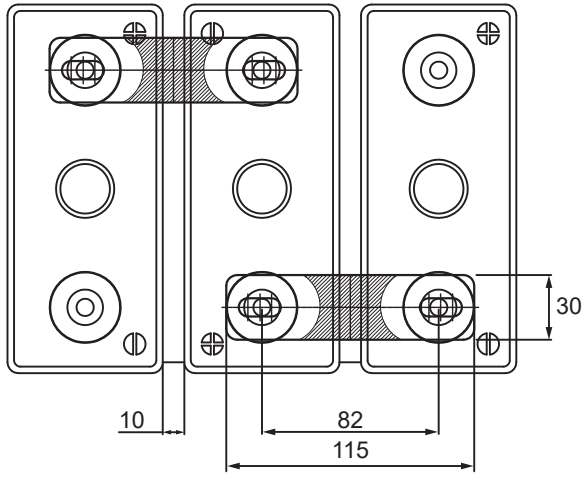
#### TERMINAL PROTECTORS



FOR BATTERY MODEL/S: 2SB80HP-FR, 2SB110HP-FR

### BUSBAR 03050847

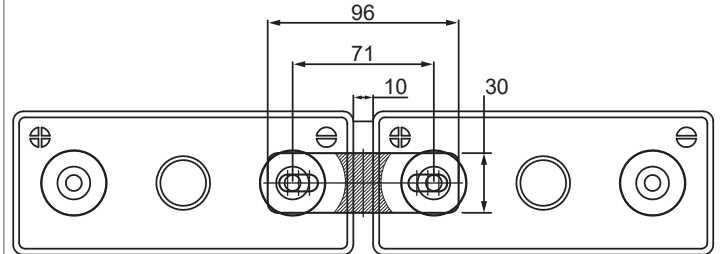
(Stock Code: 60001-081)



### BUSBAR 03050846

(Stock Code: 60001-080)

Optional - Not Included



**Red Terminal Protector (+)**

03060028R (Stock Code: 60001-085)

**Black Terminal Protector (-)**

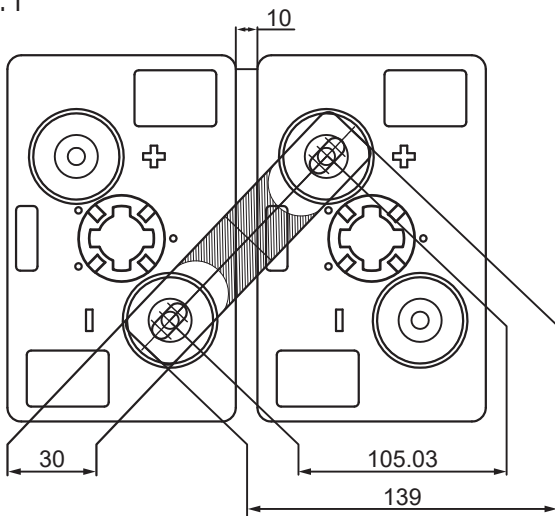
03060028B (Stock Code: 60001-086)

FOR BATTERY MODEL/S: 2SB220HP-FR

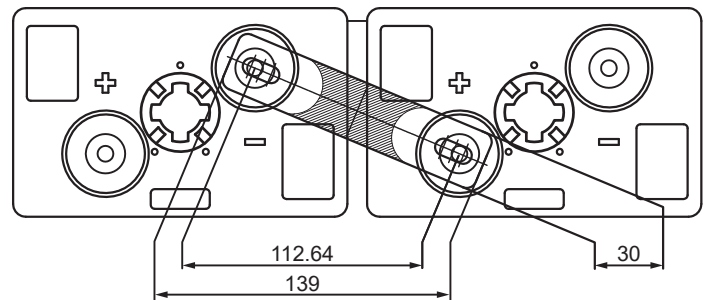
### BUSBAR 03050848

(Stock Code: 60001-082)

Config. 1



Config. 2



**Red Terminal Protector (+)**

03060028R (Stock Code: 60001-085)

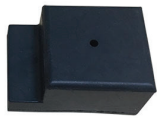
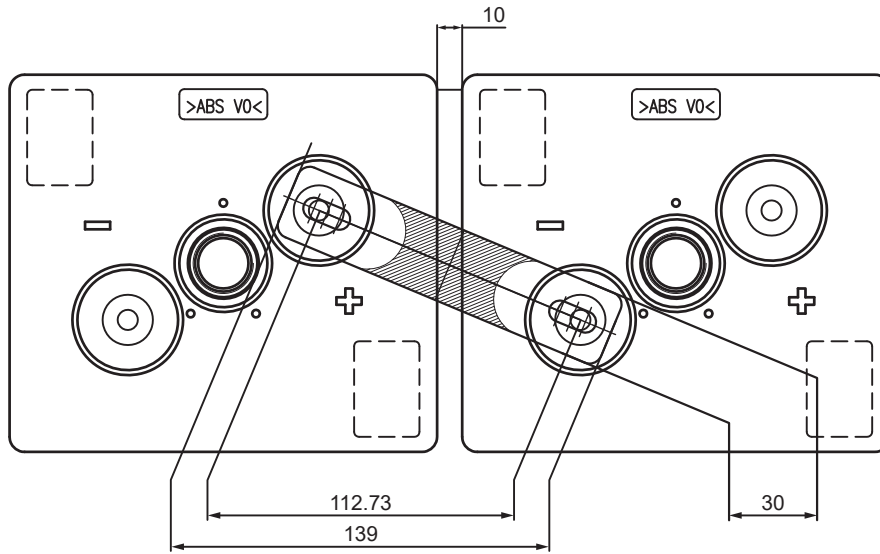
**Black Terminal Protector (-)**

03060028B (Stock Code: 60001-086)

FOR BATTERY MODEL/S: 2SB330HP-FR

### BUSBAR 03050848

(Stock Code: 60001-082)



**Red Terminal Protector (+)**

03060028R (Stock Code: 60001-085)

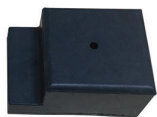
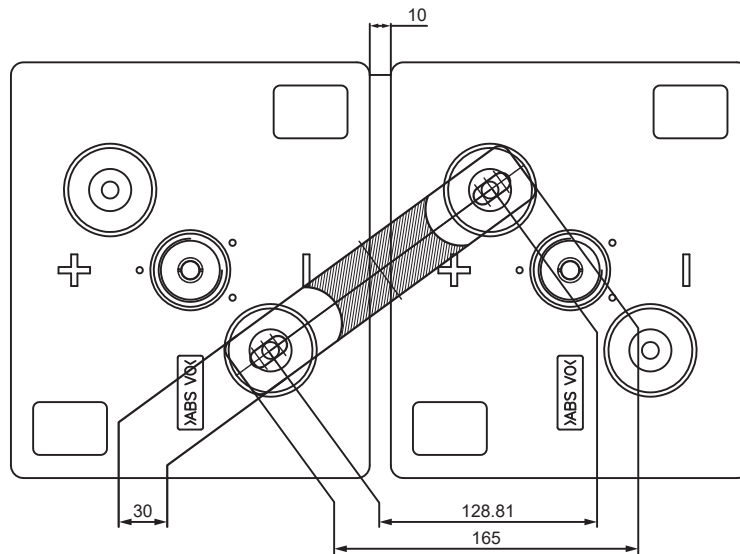
**Black Terminal Protector (-)**

03060028B (Stock Code: 60001-086)

FOR BATTERY MODEL/S: 2SB430HP-FR, 2SB480HP-FR

### BUSBAR 03050849

(Stock Code: 60001-083)



**Red Terminal Protector (+)**

03060028R (Stock Code: 60001-085)

**Black Terminal Protector (-)**

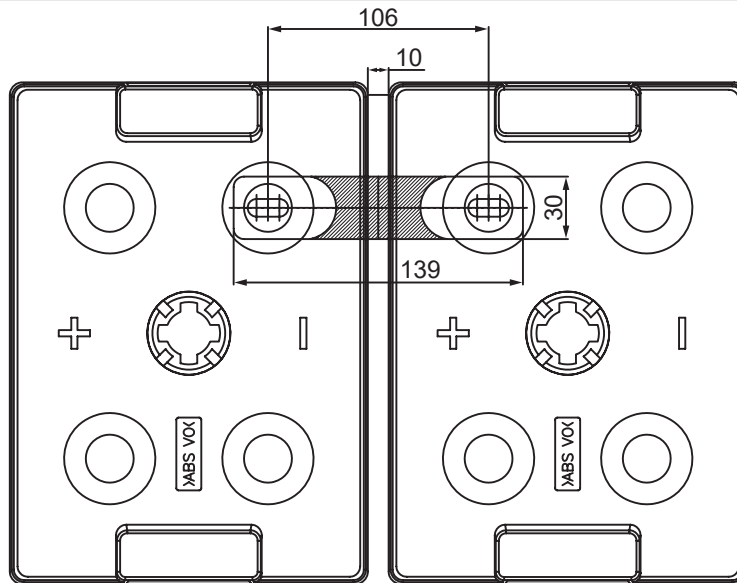
03060028B (Stock Code: 60001-086)

FOR BATTERY MODEL/S: 2SB530HP-FR, 2SB650HP-FR

### BUSBAR 03050848

(Stock Code: 60001-082)

2 x BUSBAR connectors per battery



**Red Terminal Protector (+)**

03060028R (Stock Code: 60001-085)

**Black Terminal Protector (-)**

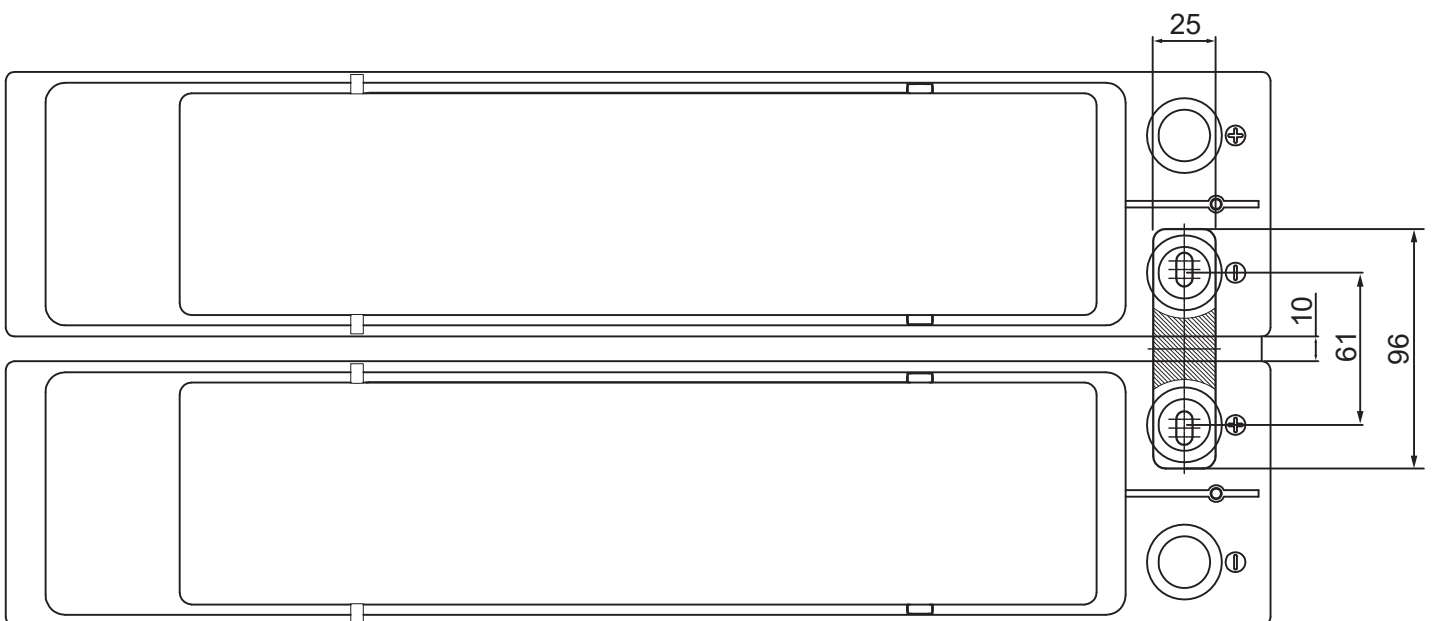
03060028B (Stock Code: 60001-086)

2 x each terminal protector per battery

FOR BATTERY MODEL/S: 12TP110AFT-FR

### BUSBAR 03050837

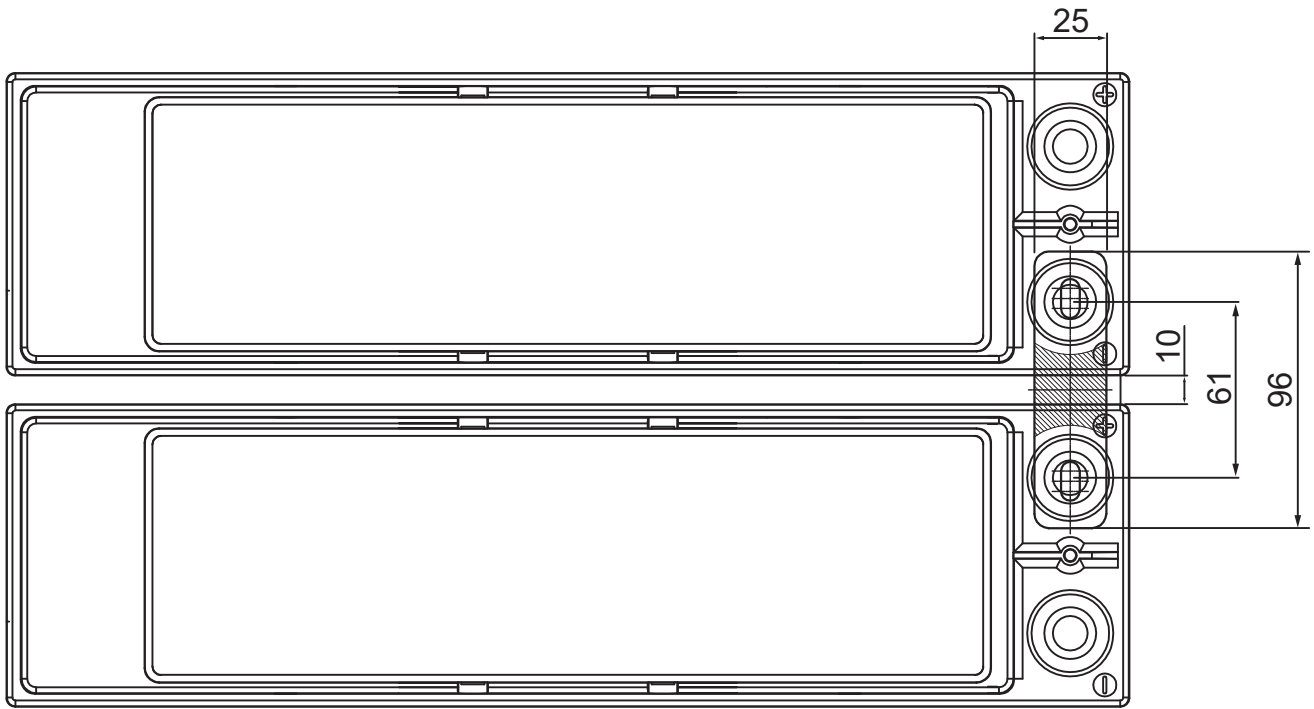
(Stock Code: 60001-090)



FOR BATTERY MODEL/S: 12TP105HFT-FR

### BUSBAR 03050880

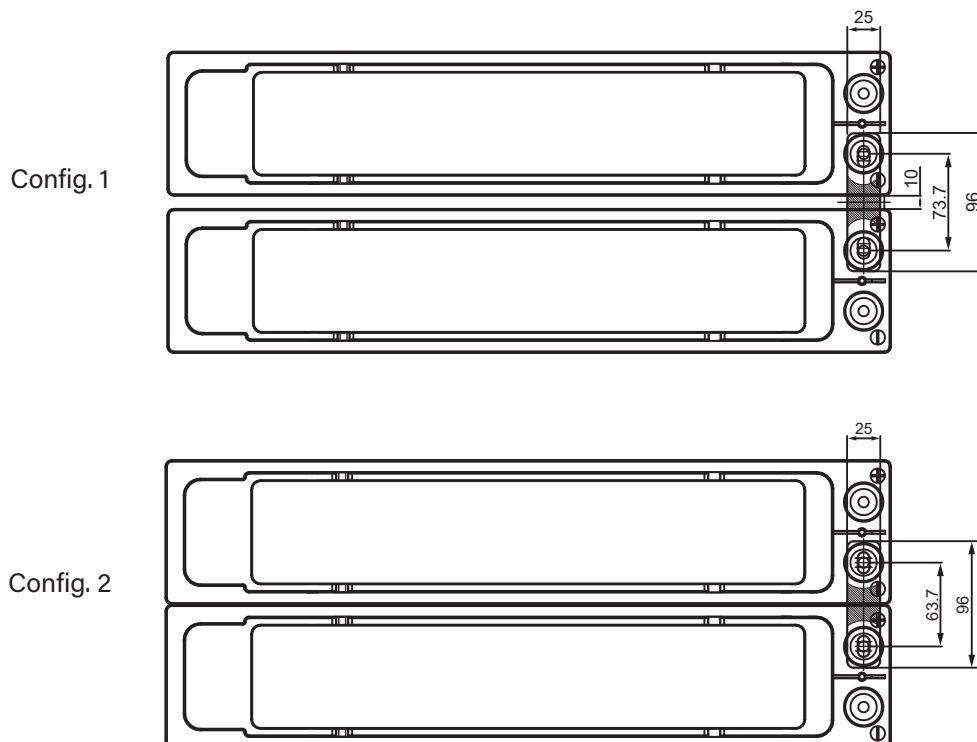
(Stock Code: 60001-089)



FOR BATTERY MODEL/S: 12TP160FT-FR, 12TP140FT-FR, 12HT105FT-FR, 12PLG155FTTS-FR

### BUSBAR 03050837

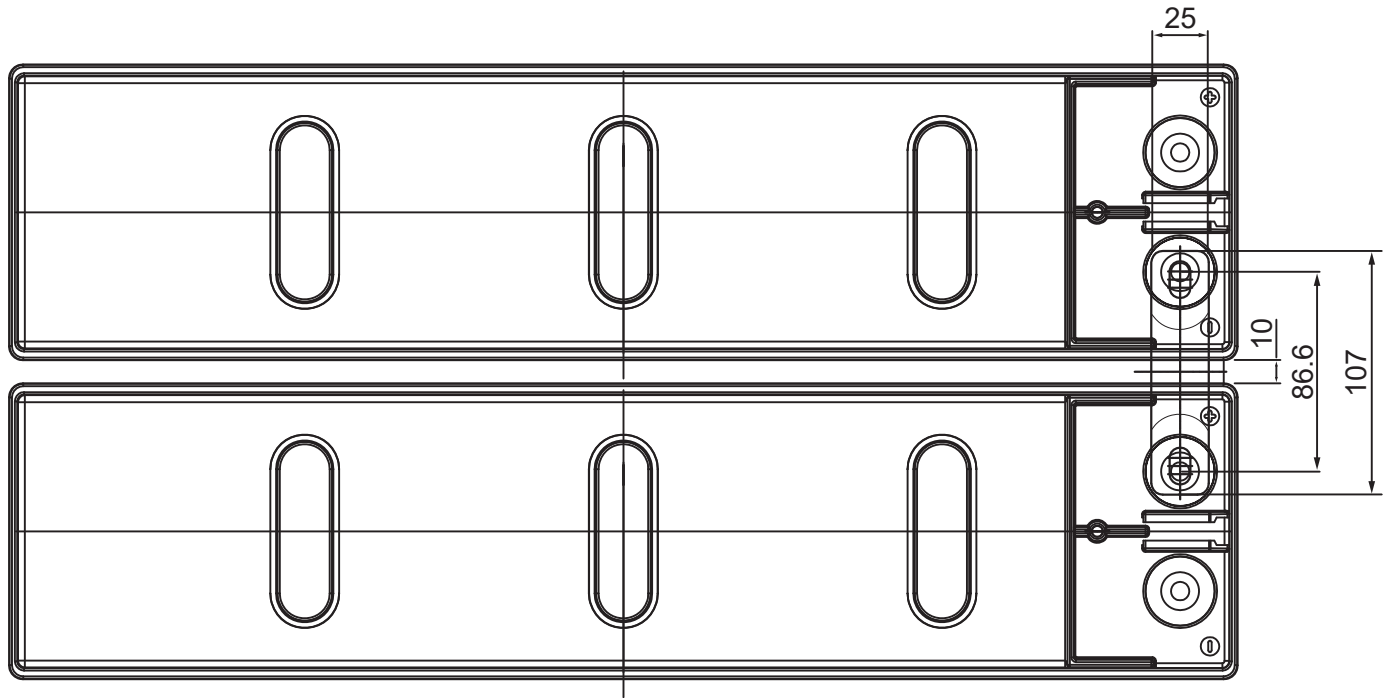
(Stock Code: 60001-090)



FOR BATTERY MODEL/S: 12TP180FT-FR

### BUSBAR 03050878

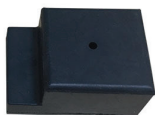
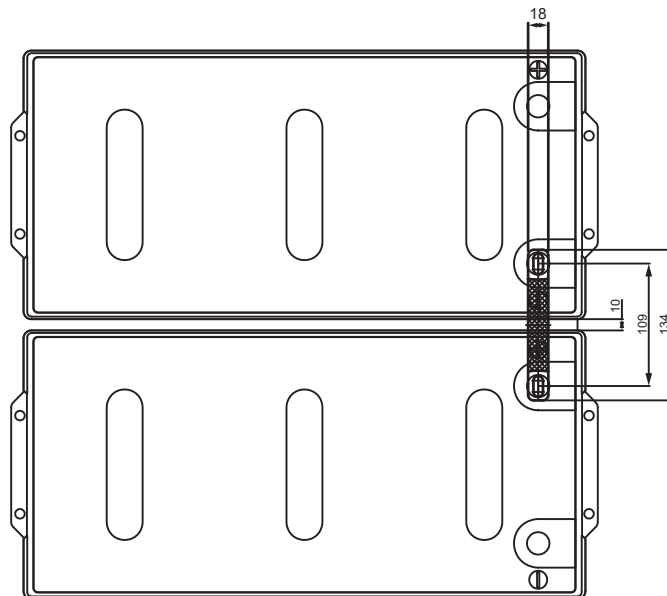
(Stock Code: 60001-091)



FOR BATTERY MODEL/S: 12PLG215TS

### BUSBAR 03050841

(Stock Code: 60001-084)



**Red Terminal Protector (+)**

03060027R (Stock Code: 60001-087)

**Black Terminal Protector (-)**

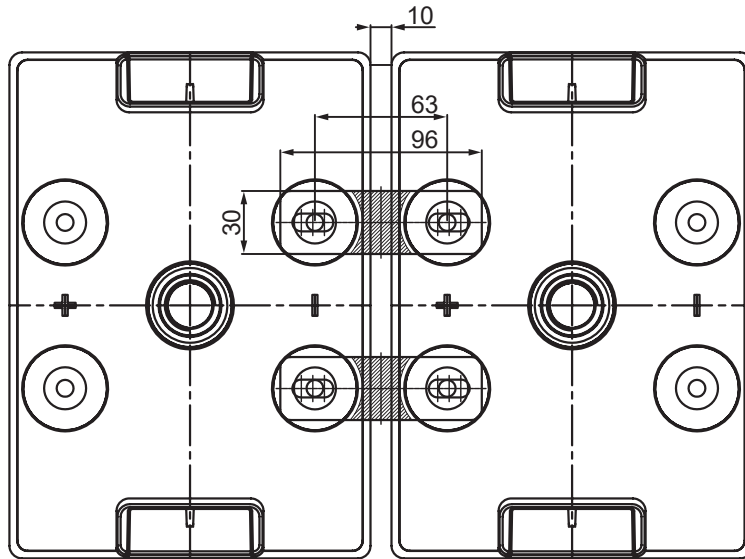
03060027B (Stock Code: 60001-088)

FOR BATTERY MODEL/S: 2PLG520TS, 2PLG630TS

### BUSBAR 03050846

(Stock Code: 60001-080)

2 x BUSBAR connectors per battery



**Red Terminal Protector (+)**

03060028R (Stock Code: 60001-085)

**Black Terminal Protector (-)**

03060028B (Stock Code: 60001-086)

2 x each terminal protector per battery