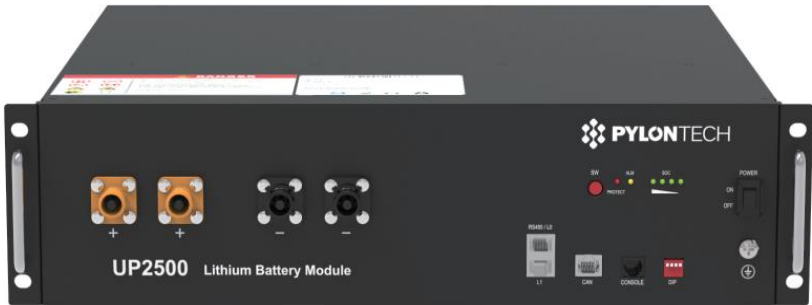




**PYLONTECH**



# Lithium-Ion Phosphate Energy Storage System UP2500 Operation Manual

Information Version: 2.1  
20UPSV0303



This manual introduces UP2500 from Pylontech. Please read this manual before you to install the battery and follow the instruction carefully during the installation process. Any confusion, please contact Pylontech immediately for advice and clarification.

## Content

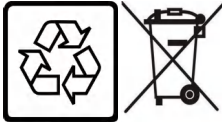
- 1. SAFETY PRECAUTIONS..... 1**
  - 1.1 Before Connecting..... 1
  - 1.2 In Using.....2
  
- 2. INTRODUCTION..... 3**
  - 2.1 features:.....3
  - 2.2 Specifications.....4
  - 2.3 Equipment Interface Instruction.....5
  - UP2500 Product Front Interface..... 5
  - Definition of RJ45 Port Pin.....7
  - Definition of RJ11 Port Pin.....7
  - 3.1 Schematic Diagram of Solution..... 8
  - 3.2 Explanation of Symbol.....8
  - 3.3 Tools..... 9
  - 3.4 Safety Gear..... 9
  
- 4. INSTALLATION..... 10**
  - 4.1 Package Items..... 10
  - Unpacking and check the Packing List..... 10
  - 4.2 Installation Location..... 11
  - Installation..... 12
  - A. Put battery modules into the cabinet and connect the cables:..... 12
  - B. Power On..... 13
  
- 5. TROUBLE SHOOTING STEPS.....15**
  - 5.1 Problem determination..... 15
  - 5.2 Preliminary determination steps..... 15
  
- 6. EMERGENCY SITUATIONS..... 16**

## 1. Safety Precautions



### Reminding

- 1) It is very important and necessary to read the user manual carefully (in the accessories) before installing or using battery. Failure to do so or to follow any of the instructions or warnings in this document may result in electrical shock, serious injury, or death, or can damage battery, potentially rendering it inoperable.
- 2) If the battery is stored for long time, it is required to charge it every six months, and the SOC should be no less than 90%;
- 3) Battery needs to be recharged within 12 hours, after fully discharged;
- 4) Do not expose the battery module and cables in an outdoor environment;
- 5) All the battery terminals must be disconnected for maintenance;
- 6) Please contact the supplier within 24 hours if there is something abnormal.
- 7) Do not use cleaning solvents to clean battery;
- 8) Do not expose battery to flammable or harsh chemicals or vapors;
- 9) Do not paint any part of battery, include any internal or external components;
- 10) Do not connect battery with PV solar wiring directly;
- 11) Any foreign object is prohibited to insert into any part of battery.
- 12) The warranty claims are excluded for direct or indirect damage due to items above.



**Li-ion** 

### Warning

#### 1.1 Before Connecting

- 1) After unpacking, please check product and packing list first, if product is damaged or lack of parts, please contact with the local retailer;
- 2) Before installation, be sure to cut off the grid power and make sure the battery is in the switch-off mode;
- 3) Wiring must be correct, do not mistake the positive and negative cables, and ensure no short circuit with the external device;
- 4) It is prohibited to connect the battery and AC power directly;
- 5) The embedded BMS in the battery is designed for 24VDC system, please DO NOT connect battery in series;
- 6) Battery system must be well grounding and the resistance must be less than 100mΩ;
- 7) Please ensured the electrical parameters of battery system are compatible to related equipment;
- 8) Keep the battery away from water and fire.

## 1.2 In Using

- 1) If the battery system needs to be moved or repaired, the power must be cut off and the battery is completely shut down;
- 2) It is prohibited to connect the battery with different type of battery.
- 3) It is prohibited to put the batteries working with faulty or incompatible inverter;
- 4) It is prohibited to disassemble the battery (QC tab removed or damaged);
- 5) In case of fire, only dry powder fire extinguisher can be used, liquid fire extinguishers are prohibited;
- 6) Please do not open, repair or disassemble the battery except staffs from Pylontech or authorized by Pylontech. We do not undertake any consequences or related responsibility which because of violation of safety operation or violating of design, production and equipment safety standards.

## 2. Introduction

UP2500 lithium iron phosphate battery is one of new energy storage products developed and produced by Pylontech, it can be used to support reliable power for various types of equipment and systems. UP2500 is especially suitable for application scene of high power, limited installation space, restricted load-bearing and long cycle life.

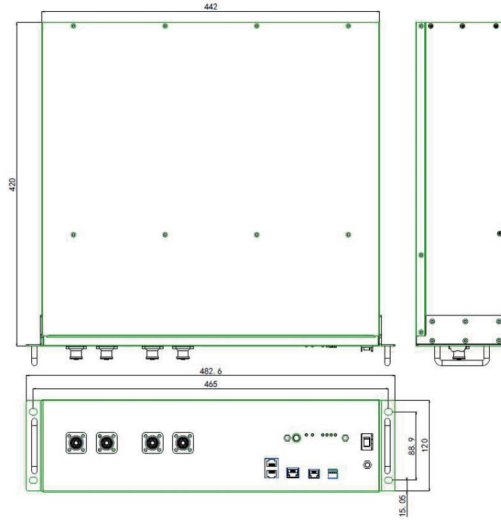
UP2500 has built-in BMS battery management system, which can manage and monitor cells information including voltage, current and temperature, further provide protection base on above information. The BMS can also balance cells during charging to extend cycle life.

Multiple batteries can connect in parallel to expand capacity and power in parallel for larger capacity and longer power supporting duration requirements.

### 2.1 features:

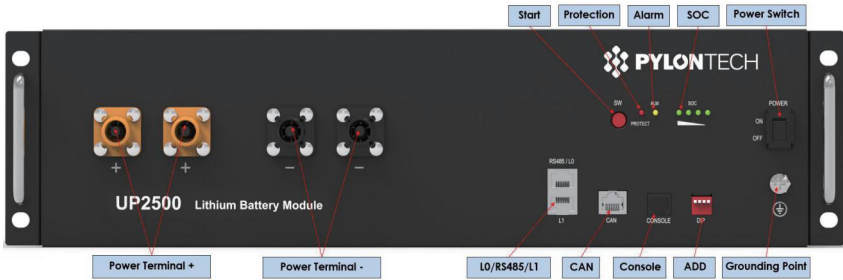
- The whole module is non-toxic, non-polluting and environmentally friendly;
- Cathode material is made from LiFePO<sub>4</sub> with safety performance and long cycle life;
- Battery management system (BMS) has protection functions including over-discharge, over-charge, over-current and high/low temperature;
- The system can automatically manage charge and discharge state and balance current and voltage of each cell;
- Flexible configuration, multiple battery modules can be in parallel for expanding capacity and power
- Adopted self-cooling mode rapidly reduced system entire noise;  
The module has less self-discharge, up to 6 months without charging it on shelf, no memory effect, excellent performance of shallow charge and discharge;
- Working temperature range is from -10°C to 55°C, (Charging 0~55°C; discharging -10~55°C) with excellent discharge performance and cycle life;
- Small size and light weight, standard of 19-inch embedded designed module is comfortable for installation and maintenance.

## 2.2 Specifications



Basic Parameters	UP2500
Nominal Voltage (V)	25.6
Nominal Capacity (Wh)	2840
Usable Capacity (Wh)	2550
Dimension (mm)	442*420*120
Weight (Kg)	26.5
Discharge Voltage (V)	23.2 ~ 28.5
Charge Voltage (V)	28.2 ~ 28.5
Recommend Charge/Discharge Current (A)	55
Max. Charge/Discharge Current (A)	85
Peak Charge/Discharge Current (A)	100A@15sec
Communication	RS485 / CAN
Configuration (max. in 1 battery group)	20pcs
Working Temperature	0°C~55°C Charge
	-10°C~55°C Discharge
Shelf Temperature	-20°C~45°C
Ingress Protection	IP20
Humidity	5% ~ 95% (RH)
Altitude	<2000m
Certification	IEC62619 / CE/ RoHS / UN38.3
Design life	10+ Years (25°C/77°F)

## 2.3 Equipment Interface Instruction



### UP2500 Product Front interface

#### Power / SW Switch

Power Switch: ON: the battery standby, no output. OFF: turn off the battery completely.

SW Switch: Press 2s to turn on or turn off battery

#### SOC

SOC light: 4 green LED to show the battery's current capacity.

#### Alarm

Alarm light: YELLOW LED to show the battery has alarm, Combine with SOC LEDs to show which kind of alarm in detail. Please check below table '**LED Indicators Instructions**' for the detailed definition.

#### Protection

Protection light: RED LED to show the battery is under BMS protection. Combine with SOC LEDs to show which kind of protection in detail. Please check below table '**LED Indicators Instructions**' for the detailed definition.

#### LED Indicators Instructions

It's important to check the detailed alarm/protection definition follow the below table for trouble-shooting and maintenance service.

Condition	Protect	ALM	100~76%	75~51%	50~26%	25~0%	Description
Turn off	●	●	●	●	●	●	All LED lighting until battery is Off.
Power off	-	-	-	-	-	-	
Turn on	●	●	●	●	●	●	Flash once.
Idle				●			Only current SOC status LED slowly flash.
Charge				●			Only current SOC status LED solid.
Float charge				●●●●			SOC ≥ 99%, 0.1A ≤ Current ≤ 0.5A Highest SOC status LED solid, others flash per sec.
Discharge			100-76% ●●●● → 75-51% ●●●● → 50-26% ●● → 25-0% ●				Residual SOC LEDs flash per sec.
Soft start	-	-	●	●	●	●	All SOC LEDs solid, pre-charge circuit is working.



Alarm	-	●	Show SOC				Alarm: high Voltage, Low Voltage, Cell High/Low
							Temperature, MOS high temperature, high current.
	-	■	Low SOC (SOC≤10% or single cell voltage≤3V).				
Protection	●		●				Charge MOS OFF. Possible reason: charging over current; Over Voltage.
	●			■			Discharge MOS OFF. Possible reason: discharging over current; Low Voltage; Short circuit; Reverse polarity.
	●		●	■			Charge and discharge MOS all OFF. Possible reason: Over/Low Temperature; MOS Over Temperature; BMS error.
		■	Show SOC				Internal communication error, Address assignment error.
	●	●					<b>Critical failure:</b> MOSFAIL; FUSE broken.
■ : flash 1.5s off/0.5s on		■ / ■ / ■ : flash 1s off/1s on				● / ● / ● : constant lighting	

### ADD Switch

ADD Switch: 4 ADD switches, **Dip1** to definite different baud rate. "0" and "1", refer to picture right. "0XXX" setup the baud rate 115200, and "1XXX" setup the baud rate 9600.



**The settings will be active only after restart the battery.**

Using RS485: all batteries need to set the ADD switch. And should be the same.

Using CAN: the ADD switch has no influence on CAN baud rate.

### Console

Console Terminal: (RJ11 port) for professional engineer to debug or service.

### L 0/1 / RS485

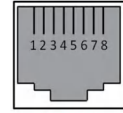
Link Port0/1 or RS485 Communication Terminal: (RJ45 port) follow Pylontech Low voltage RS485 protocol for UP2500, for communication between multiple parallel batteries and between master battery to host equipment.

### CAN

CAN Communication Terminal: (RJ45 port) follow Pylontech Low voltage CANBUS protocol, for communication between master battery and host equipment.

### Definition of RJ45 Port Pin

No.	RS485 Pin	CAN Pin
1	--	
2	--	GND
3	--	
4	--	CAN H
5	--	CAN L
6	--	
7	RS485A	
8	RS485B	



RJ45 Port

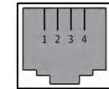


RJ45 Plug

When using RS485, it is required to keep undefined PIN empty. If not may cause battery communication function error.

### Definition of RJ11 Port Pin

No.	RS232 Pin
1	GND
2	RXD
3	TXD
4	GND



RJ11 Port

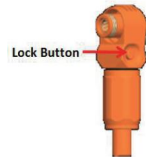


RJ11 Plug

### Power Terminals +/-

Power cable terminals: there are two pair of terminals with same function, one connects to equipment, the other one paralleling to other battery module for capacity expanding. For each single module, each terminal can achieve charging and discharging function.

It must keep pressing this Lock Button during pulling out the power plug.

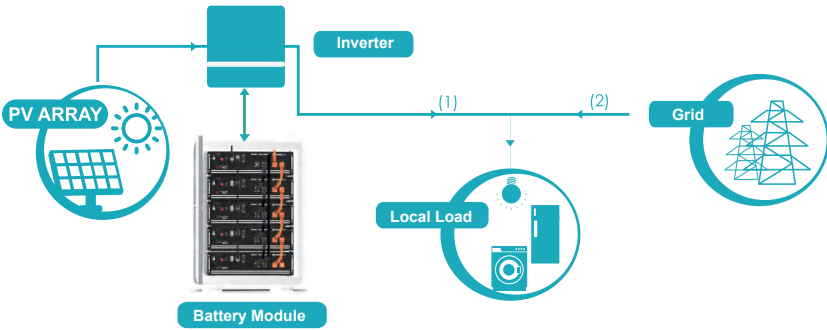


### BMS function:

Protection and Alarm	Management and Monitor
Charge/Discharge Cut-off	Cells Balance
Charge Over Voltage	Intelligent Charge Model
Discharge Under Voltage	Capacity Retention Calculate
Charge/Discharge Over Current	Administrator Monitor
High/Low Temperature	Operation Record
Short Circuit	Soft Start
	Hot Swap

### 3. Safe handling of lithium batteries Guide

#### 3.1 Schematic Diagram of Solution



#### 3.2 Explanation of Symbol

## DANGER

**DANGER LOW DC VOLTAGE INSIDE**  
**DANGER ARC FLASH & SHOCK HAZARD**

A vertical column of five warning symbols: a yellow triangle with a black exclamation mark, a red circle with a slash over a fire flame, a yellow triangle with a black lightning bolt, a yellow triangle with a black flame, and a black crossed-out trash bin.

- \* Do not disconnect or disassemble by non-professional personnel.
- \* Do not drop, deform, impact, cut or spearing with a sharp object.
- \* Do not place at a children or pet touchable area.
- \* Do not place near open flame or flammable material.
- \* Do not cover or wrap the product case.
- \* Do not sit or put heavy things on battery.
- \* Do not touch the leaking liquid.
- \* Avoid of direct sunlight.
- \* Avoid of moisture or liquid.
- \* The product Ingress Protection (IP) class is IP20.
- \* Make sure the grounding connection set correctly before operation.
- \* Follow the product manual to make wiring connection.
- \* If leaking, fire, wet or damaged, switch off the breaker on DC side and stay away from battery.
- \* Contact your supplier within 24 hours if anything failure happens.

### 3.3 Tools

The following tools are required to install the battery pack



Wire cutter



Crimping Modular Plier



Screw Driver

#### NOTE

Use properly insulated tools to prevent accidental electric shock or short circuits.

If insulated tools are not available, cover the entire exposed metal surfaces of the available tools, except their tips, with electrical tape.

### 3.4 Safety Gear

It is recommended to wear the following safety gear when dealing with the battery pack



Insulated gloves



Safety goggles



Safety shoes

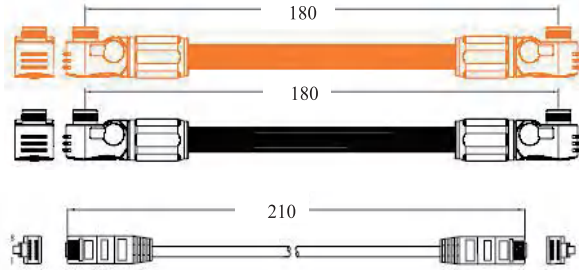
## 4. Installation

### 4.1 Package Items

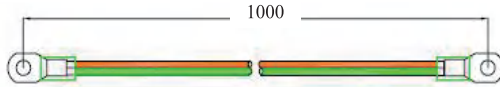
#### Unpacking and check the Packing List

##### 1) For battery module package:

Two power cables and one communication cable for each battery package:



##### Grounding cable:

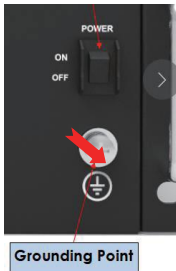


Grounding cables use 10AWG yellow-green cables.

UP2500 modules' grounding is based on metal directly touch between the module's surface (SGCC) and rack's surface. If uses normal rack, may need to remove the paint at the corresponding place.

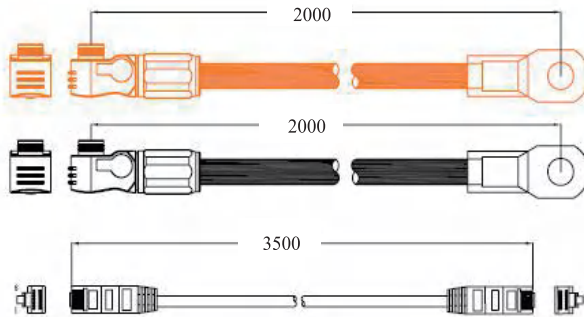


Or install a grounding cable to the grounding point of the modules.



##### 2) For battery system connects to inverter:

Two long power cables (max. current capacity **120A**) and one communication cable for each energy storage system:



#### NOTE

These three long cables are **NOT in battery package**, they are in another **extra small cable box**.  
If there is anything missed, please contact dealer.

#### 4.2 Installation Location

Make sure that the installation location meets the following conditions:

- ◆ An indoor environment
- ◆ The area is completely waterproof.
- ◆ The floor is flat and level.
- ◆ There are no flammable or explosive materials.
- ◆ The ambient temperature is within the range from 0°C to 50°C.
- ◆ The temperature and humidity are maintained at a constant level.
- ◆ There is minimal dust and dirt in the area.

#### CAUTION



If the ambient temperature is out of the operating range, the battery pack stops operating to protect itself. The optimal temperature range for the battery pack to operate is 0°C to 50°C. Frequent exposure to harsh temperatures may deteriorate the performance and life of the battery pack.

## Installation

### A. Put battery modules into the cabinet and connect the cables:

- (1) Put the battery into the cabinet, follow below picture;
- (2) Fix each module with the cabinet with 4 screws;



- (3) Connect the cables between battery modules, including grounding cables, follow below picture.

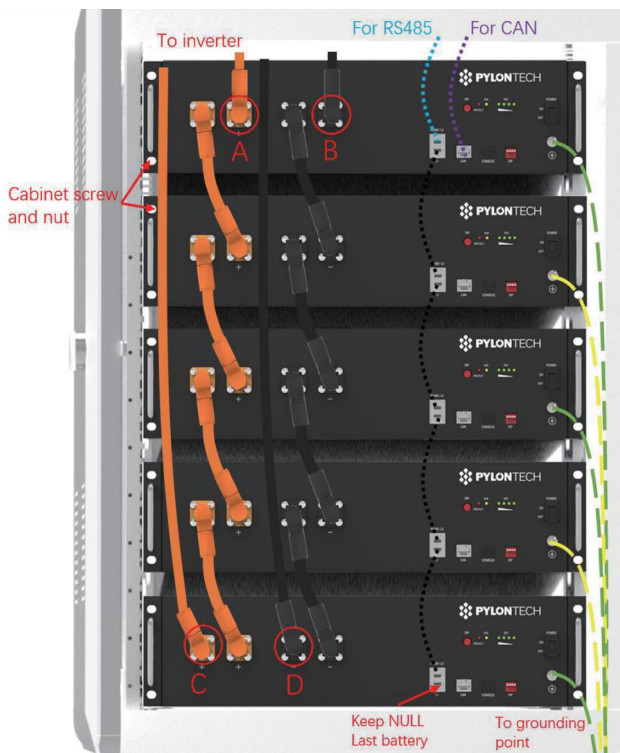


- (4) Connect the cables to inverter.  
The power cables' current capacity is **120Amps(peak)**.

If the battery system is supposed to configure with an inverter/charger  $\geq 100\text{Amps}/2.5\text{kW}$ , must configure multiple pairs of external power cables following the inverter/charger size.

Power Cable connection:

- For 1 pair of external power cable, connect as **A + D** or **B + C**, **do not** connect as A+B or C+D to avoid unbalancing current transmitted.
  - For 2 pairs of external power cable, connect as **A + D** and **B + C**.
  - For more than 2 pairs of external cable, need split the battery module into another string to further handle the connection.
- (5) There shall be a manual disconnecting device (breaker, etc.) between battery system and inverter.



## B. Power On

Double check all the power cable and communication cable, check the ADD switch.

- (1) Switch the breaker between battery system and inverter.
- (2) turn all the power switch ON.





- (3) The one connects communication cable to inverter is the **Master Battery** Module, others are slaves (1 master battery configure with maximum 19 slave batteries).
- (4) Press the Start Button (**SW**) of **master battery** to power on, all the battery LED light will be on after master battery starts.



If all the battery LED lights on, and then off, which means the battery system is good and working.

## 5. Trouble Shooting Steps

Please check the 'LED Indicators Instructions' table for the detailed faulty definition before any trouble-shooting steps.

### 5.1 Problem determination.

- 1) Whether the battery can be turned on or not;
- 2) If battery is turned on, check the red and yellow light is off, flashing or lighting, follow the 'LED Indicators Instructions';
- 3) If the red and yellow light is off, further check whether the battery can be charged/discharged.

### 5.2 Preliminary determination steps.

- 1) Battery cannot turn on, switch on the lights are all no lighting or flashing.  
Solution: Turn power switch ON, and then charge the battery with external power supply voltage 26V or more, if the battery still unable to turn on, turn the power switch off and contact the installer.
- 2) The battery can be turned on but cannot charge or discharge. If the red/yellow light is lighting, that means system is abnormal, please follow the 'LED Indicators Instructions' to check:
  - a) Over/Low temperature: Above 55°C or under -10°C, the battery could not work.  
Solution: turn off the battery module, move battery to the normal operating temperature range between -10°C and 55°C
  - b) Over Current: If current is >100A, battery protection will turn on.  
Solution: Check and change the settings on power supply or load side. And wait until battery release the protection.
  - c) Short circuit/Reverse polarity: Check power cable and grounding cable connection whether is wrong or missing. Check inverter/charger connected of a potential short circuit source.
  - d) High Voltage: If charging voltage above 28.5V, battery protection will turn on.  
Solution: Check and change the settings on power supply side. And wait until battery release protection or discharge the battery.
  - e) Low Voltage: When the battery discharges to 23.2V or less, battery protection will turn on.  
Solution: Charge the battery by external charger, with voltage  $\leq 28.5\text{Vdc}$ , current  $\leq 55\text{Amps}$ .
  - f) Internal communication error: Check the internal communication wiring connection whether is wrong or missing, then make a restart of the whole system.
  - g) Critical Failure : Both RED and YELLOW LEDs constant lighting.  
Solution: Contact the distributor, need a replacement or repairment.

**Excluding the four points above, if the faulty is still cannot be located, record the failure description and LEDs status, turn off power switch of the battery and contact the distributor.**

## 6. Emergency Situations

### 1) Leaking Batteries

If the battery pack leaks electrolyte, avoid contact with the leaking liquid or gas. If one is exposed to the leaked substance, immediately perform the actions described below.

Inhalation: Evacuate the contaminated area, and seek medical attention.

Contact with eyes: Rinse eyes with flowing water for 15 minutes, and seek medical attention.

Contact with skin: Wash the affected area thoroughly with soap and water, and seek medical attention.

Ingestion: Induce vomiting, and seek medical attention.

### 2) Fire

NO WATER! Only dry powder fire or carbon dioxide extinguisher can be used; if possible, move the battery pack to a safe area before it catches fire.

### 3) Wet Batteries

If the battery pack is wet or submerged in water, do not let people access it, and then contact Pylontech or an authorized dealer for technical support.

### 4) Damaged Batteries

Damaged batteries are dangerous and must be handled with the utmost care. They are not fit for use and may pose a danger to people or property. If the battery pack seems to be damaged, pack it in its original container, and then return it to Pylontech or an authorized dealer.

### NOTE

Damaged batteries may leak electrolyte or produce flammable gas.

In case a damaged battery needs recycling, it shall follow the local recycling regulation (ie. Regulation (EC) N° 1013/2006 among European Union) to process, and using the best available techniques to achieve a relevant recycling efficiency.

Any further questions, please contact Pylontech: [service@pylontech.com.cn](mailto:service@pylontech.com.cn)



**PYLONTECH**

**Pylon Technologies Co., Ltd.**

No. 73, Lane 887, ZuChongzhi Road, Zhangjiang Hi-Tech Park  
Pudong, Shanghai 201203, China

**T** +86-21-51317699 | **F** +86-21-51317698

**E** [service@pylontech.com.cn](mailto:service@pylontech.com.cn)

**W** [www.pylontech.com.cn](http://www.pylontech.com.cn)