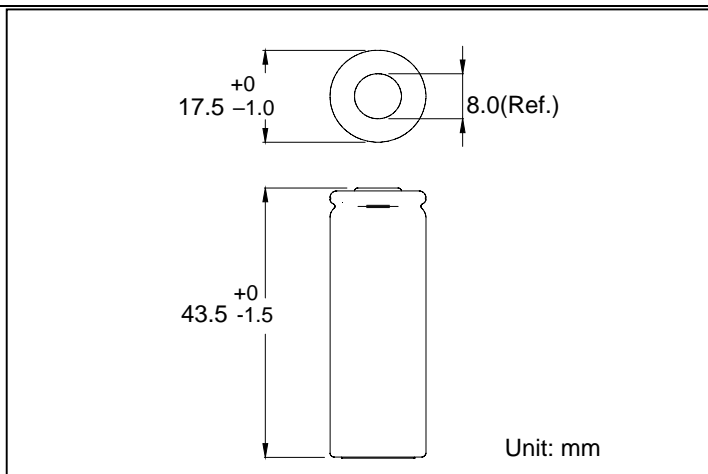


GP Batteries

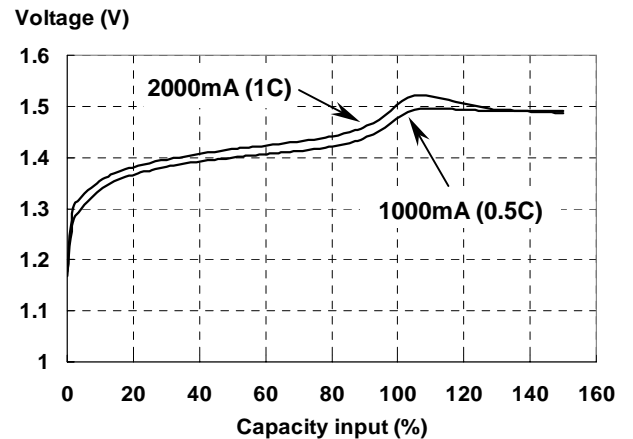
Data Sheet

Model No.: GP200AFHR

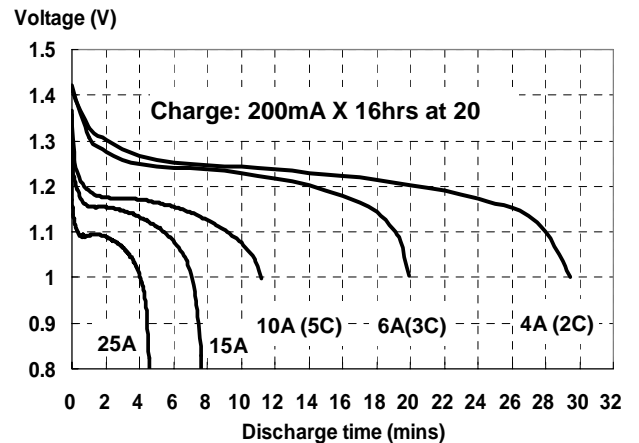
Type	: Rechargeable Nickel Metal Hydride Cylindrical Cell
Nominal Dimension (with Sleeve)	: ϕ 17.5mm H=43.5mm
Applications	: Discharge current 200mA to 25A (continuous)
Nominal Voltage	: 1.2V
Capacity	: Nominal: 2000mAh Minimum: 1800mAh Typical: 2000mAh When discharge at 1C to 1.0V at 20
Charging condition	: 200mA for 16hrs at 20
Fast Charge	: 1000mA to 2000mA (0.5C to 1C) with charge termination control Recommended control parameters: - V : 0-5mV dT/dt : 0.8 /min (0.5C to 0.9C) 0.8-1.0 /min (1C) TCO : 40-45 Timer : 105% nominal input (Secondary)
Service Life	: >500 cycles (IEC61951-2)
Continuous Overcharge	: 200mA maximum current for 1 year No conspicuous deformation and/or leakage
Weight	: 35.5g
Internal Resistance	: Average 4m upon fully charged (Range 3-6m) at 1000Hz
Max. charging Voltage	: 1.5V at 200mA charging
Ambient Temperature Range	: Standard charging : 0 to 40 Fast Charging : 10 to 40 Discharging : -20 to 50 Storage : -20 to 35 Storage (1week) : -20 to 60



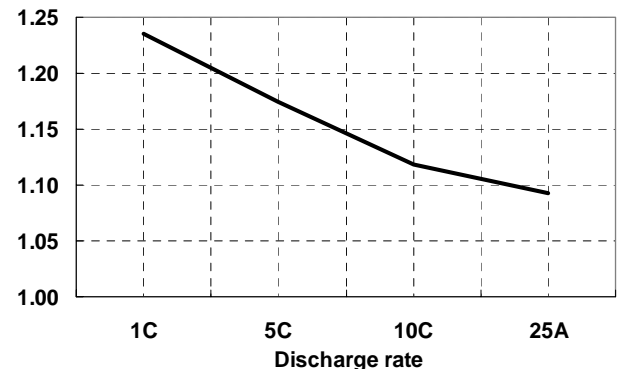
Fast Charge (charge control required)



High Rate Discharge



MPV (V)



* The information (subject to change without prior notice) contained in this document is for reference only and should not be used as a basis for product guarantee or warranty. For applications other than those described here, please consult your nearest GP Sales and Marketing Office or Distributors.