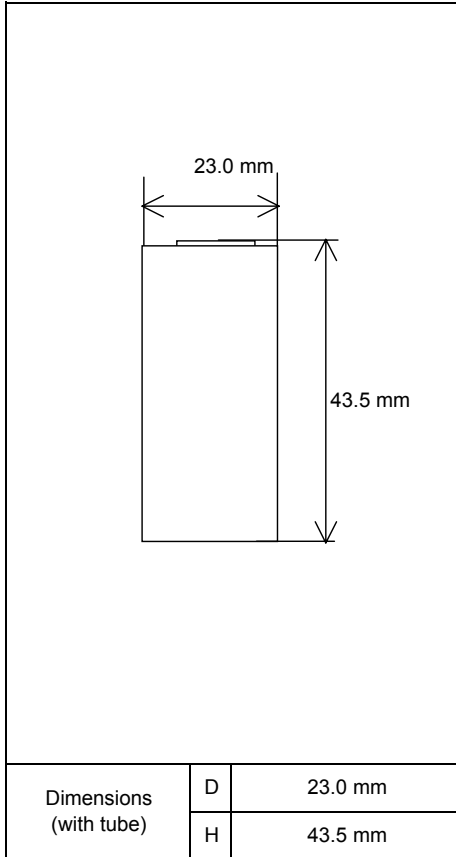


## Specifications



Type : Nickel-Metal Hydride Battery		Size : SC	
Capacity <sup>1)</sup>	Typical	3000mAh	
	Minimum	2700mAh	
Nominal Voltage		1.2V	
Charging Current x Time	Fast Charge <sup>2)</sup>	3000 mA x about 1.1h	
Ambient Temp.	Charge Condition	Fast Charge <sup>2)</sup>	
	Discharge Condition	0°C - 50°C	
	Storage Condition	Less than 30days	-20°C - 50°C
		Less than 90days	-20°C - 40°C
Less than 1year		-20°C - 30°C	
Internal Impedance <sup>3)</sup> (after discharge to E.V.=1.0V)		About 7mΩ(at 1000Hz)	
Weight <sup>4)</sup>		About 61 g	
Size <sup>4)</sup> : (Diameter) x (Height)		23.0(D) x 43.5(H) mm	

1)Single cell capacity under the following condition.

Charge : 300mA×16h, Discharge : 600mA(E.V.=1.0V) at 20°C

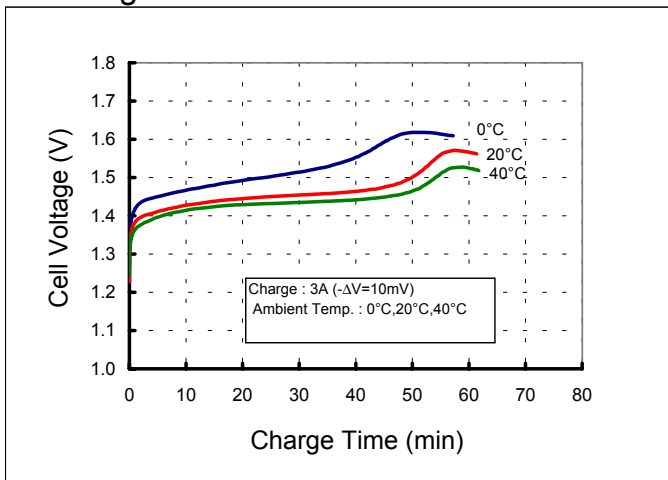
2)Use recommended charging system.

3)After a few charge and discharge cycles under the above 1) condition.

4)With tube.

## Typical Characteristics

### Charge



### Discharge

