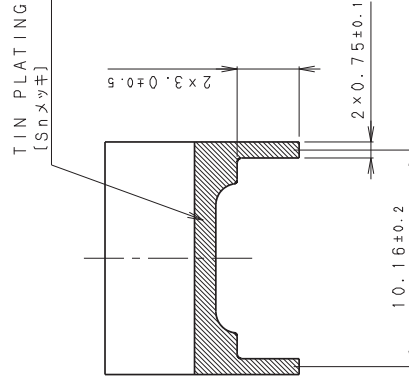
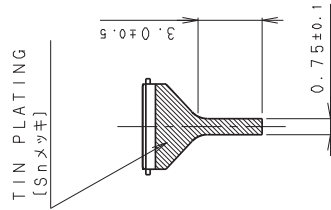
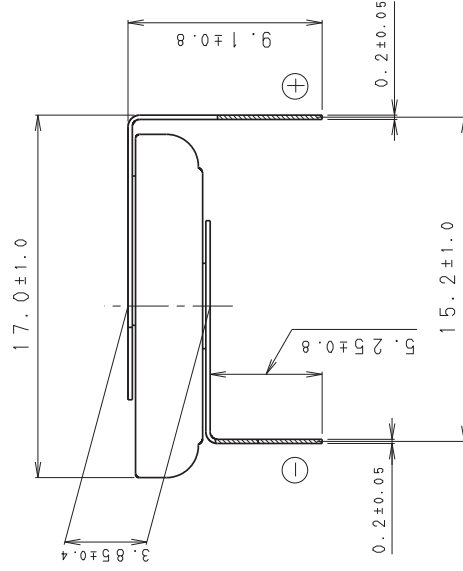
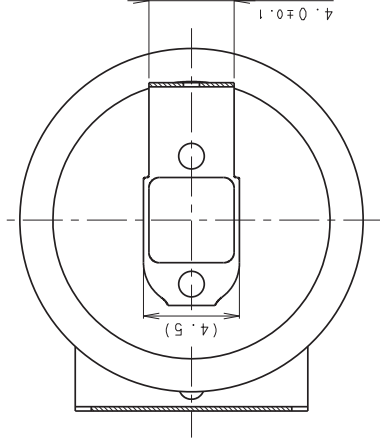
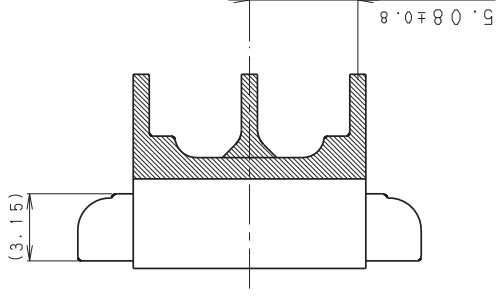
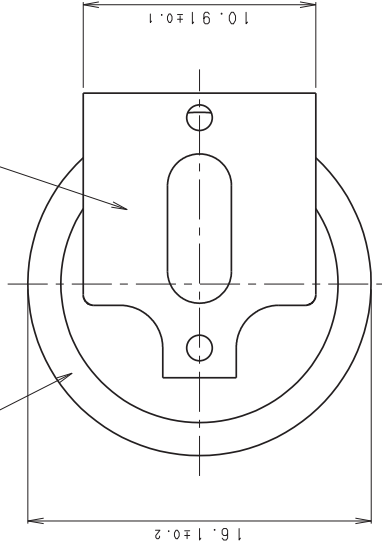


INSULATOR (YELLOW)
[絶緣キューブ(黄色)]



NOTE [注記]

1. TAB WELDING STRENGTH OVER 19.6N [端子溶接強度: 19.6N以上]
2. TAB MATERIAL: STAINLESS STEEL WITH TIN PLATING [絶緣材料: ステンレス/表面 部分Snメッキ]
3. () : REFERENCE DIMENSION AND ANGLE () 寸法, 角度は参考値]

PRODUCT NO.	CR-1632/G1AN	SCALE	4:1
DRAWING NO.	MMGA1Z	REV.	PC_0
		UNIT: mm	